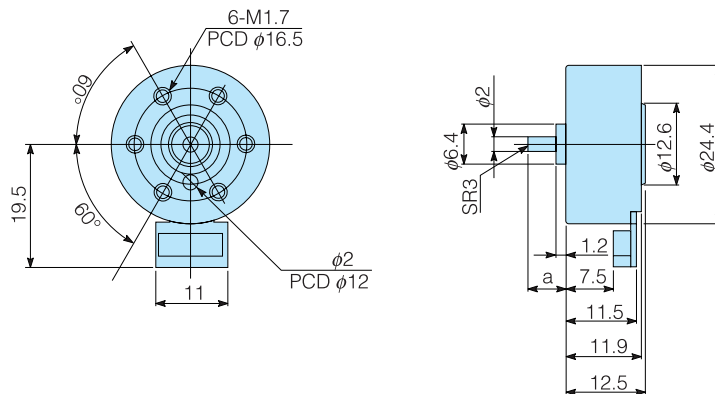


Standard Dimensions(mm)



Typical Data

Model	Operating Voltage (V)	Rated Voltage (V)	No Load Speed (min^{-1})	No Load Current (mA)	Starting Torque		Starting Current (mA)	Note
					(gf·cm)	(mN·m)		
BCL3	3 to 16	8	3500	100	65	6.37	350	a=5.0,6.6,8.3,10.9

Characteristics

