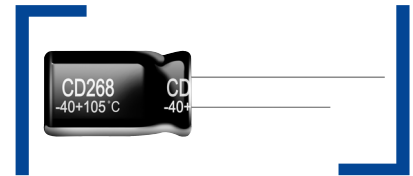


KM 耐高温品 (CD268型)

- ◎ 宽温度产品, 105°C, 1000小时寿命, 体积小, 容量大
Wide temperature range, 105°C, Load life: 1000 hours, small size, large capacity
- ◎ 适用于VCD、DVD、背投影电、空调等线路中。
Used in VCD, DVD, color-TV, air conditioning circuits etc.

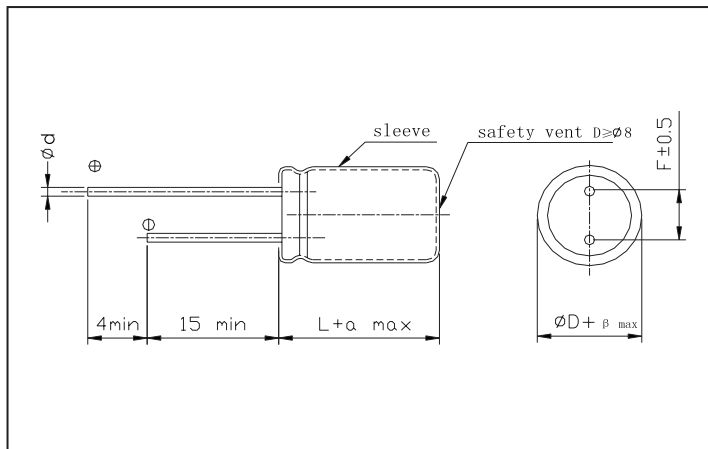


主要技术性能 Specifications

项目 Item	特性 Performance Characteristics																																
使用温度范围 Operating temperature rang	-40 ~ +105°C	-25 ~ +105°C																															
额定电压范围 Rated voltage range	6.3 ~ 100V	160 ~ 450V																															
标称电容量范围 Nominal capacitance range	0.1~10000 μ F	0.47~220 μ F																															
标称电容量允许偏差 Capacitance tolerance	$\pm 20\%$ (120Hz, +20°C)																																
漏电流 Leakage current	$I \leq 0.01CV$ (μ A) 或 3μ A 1分钟(1 minute) 取较大者(Whichever is greater)	$I \leq 0.02CV + 15$ (μ A) 1分钟 (1 minute)																															
损耗角正切值 ($\text{tg } \delta$) Dissipation factor (+20°C, 120Hz)	<table border="1"> <thead> <tr> <th>U_R (V)</th> <th>6.3</th> <th>10</th> <th>16</th> <th>25</th> <th>35</th> <th>50</th> <th>63</th> <th>100</th> <th>160~450</th> </tr> </thead> <tbody> <tr> <td>$\text{tg } \delta$</td> <td>0.25</td> <td>0.20</td> <td>0.17</td> <td>0.15</td> <td>0.12</td> <td>0.10</td> <td>0.09</td> <td>0.08</td> <td>0.20</td> </tr> </tbody> </table>									U_R (V)	6.3	10	16	25	35	50	63	100	160~450	$\text{tg } \delta$	0.25	0.20	0.17	0.15	0.12	0.10	0.09	0.08	0.20				
U_R (V)	6.3	10	16	25	35	50	63	100	160~450																								
$\text{tg } \delta$	0.25	0.20	0.17	0.15	0.12	0.10	0.09	0.08	0.20																								
温度特性 Temperature characteristics (Impedance ratio at 120Hz)	<table border="1"> <thead> <tr> <th>U_R (V)</th> <th>6.3</th> <th>10</th> <th>16~50</th> <th>63~100</th> <th>160~250</th> <th>400</th> <th>450</th> </tr> </thead> <tbody> <tr> <td>Z-25°C / +20°C</td> <td>-</td> <td>-</td> <td>-</td> <td>-</td> <td>≤ 6</td> <td>≤ 4</td> <td>≤ 4</td> </tr> <tr> <td>Z-40°C / +20°C</td> <td>≤ 8</td> <td>≤ 6</td> <td>≤ 4</td> <td>≤ 3</td> <td>-</td> <td>-</td> <td>-</td> </tr> </tbody> </table>									U_R (V)	6.3	10	16~50	63~100	160~250	400	450	Z-25°C / +20°C	-	-	-	-	≤ 6	≤ 4	≤ 4	Z-40°C / +20°C	≤ 8	≤ 6	≤ 4	≤ 3	-	-	-
U_R (V)	6.3	10	16~50	63~100	160~250	400	450																										
Z-25°C / +20°C	-	-	-	-	≤ 6	≤ 4	≤ 4																										
Z-40°C / +20°C	≤ 8	≤ 6	≤ 4	≤ 3	-	-	-																										
耐久性 Load life	+105°C 加额定电压 1000小时, 恢复 16小时后: After applying rated voltage for 1000 hours at +105°C and then resumed 16 hours: 电容量变化率 Capacitance change : $\pm 20\%$ 初始测量值以内 Initial measured value 漏 电 流 Leakage current : \leq 初始规定值 Initial specified value 损耗角正切值 Dissipation factor : ≤ 2 倍 初始规定值 Initial specified value																																
高温贮存 Shelf life	+105°C, 1000小时贮存后, 恢复 16小时后: After storage for 1000 hours at +105°C and then resumed 16 hours 电容量变化率 Capacitance change : $\pm 20\%$ 初始测量值以内 Initial measured value 漏 电 流 Leakage current : ≤ 2 倍 初始规定值 Initial specified value 损耗角正切值 Dissipation factor : ≤ 2 倍 初始规定值 Initial specified value																																

外形图及尺寸表 Case size table

单位Unit: mm



D	5	6	8	10	13	16	19	22
F	2.0	2.5	3.5	5.0		7.5		10
d	0.5		0.5, 0.6	0.6		0.8		

α MAX	(L < 20) 1.5	β MAX	(D < 20) 0.5
	(L \geq 20) 2.0		(D \geq 20) 1.0

■ 尺寸 DIMENSIONS

ØD × L(mm)

General

容量 C _R (μF)	代码 Code	电压U _R		6.3V		10V		16V		25V		35V		50V		63V	
		0J	1A	1C	1E	1V	1H	1J									
0.1	0R1													5 × 11	3		
0.22	R22													5 × 11	4		
0.33	R33													5 × 11	5		
0.47	R47													5 × 11	6		
1	010													5 × 11	9		
2.2	2R2													5 × 11	11		
3.3	3R3													5 × 11	15		
4.7	4R7													5 × 11	18	5 × 11	20
10	100					5 × 11	20	5 × 11	25	5 × 11	25	5 × 11	25	5 × 11	25	5 × 11	30
22	220					5 × 11	30	5 × 11	35	5 × 11	35	5 × 11	40	5 × 11	40	6 × 11 8 × 11	50
33	330					5 × 11	40	5 × 11	40	5 × 11	50	6 × 11 8 × 11	60	8 × 11	60	8 × 11	60
47	470			5 × 11	45	5 × 11	50	5 × 11	50	6 × 11 8 × 11	65	6 × 11 8 × 11	70	8 × 12	90		
100	101	5 × 11	60	5 × 11	80	6 × 11 8 × 11	80	6 × 11 8 × 11	90	8 × 12	110	8 × 12	120	10 × 13	150		
220	221	6 × 11 8 × 11	100	6 × 11 8 × 11	110	8 × 12	140	8 × 12	150	10 × 13	190	10 × 16	240	10 × 20	270		
330	331	8 × 11	120	8 × 12	160	8 × 12	180	10 × 13	220	10 × 16	260	10 × 20	320	13 × 20	380		
470	471	8 × 12	170	8 × 12	190	10 × 13	250	10 × 16	290	10 × 20	350	13 × 20	430	13 × 25	500		
1000	103	10 × 13	300	10 × 16	360	10 × 20	440	13 × 20	540	13 × 25	620	16 × 25	790	16 × 31	900		
2200	222	13 × 20	580	13 × 20	620	13 × 25	700	16 × 25	880	16 × 31	1030	19 × 35	1230	19 × 40	1310		
3300	332	13 × 20	670	13 × 25	800	16 × 25	970	16 × 31	1120	19 × 35	1320	19 × 40	1400	22 × 40	1730		
4700	472	16 × 25	1000	16 × 25	1050	16 × 31	1240	19 × 35	1440	19 × 40	1540	22 × 40	1780				
6800	682	16 × 25	1120	16 × 31	1300	19 × 35	1530	19 × 40	1630	22 × 40	1880						
10000	103	19 × 35	1320	19 × 35	1620	19 × 40	1730	22 × 40	2000								

ØD × L(mm)

容量 C _R (μF)	代码 Code	电压U _R		100V		160V		200		250V		400V		450V	
		2A	2C	2D	2E	2G	2H								
0.1	0R1	5 × 11	3												
0.22	R22	5 × 11	4												
0.33	R33	5 × 11	5												
0.47	R47	5 × 11	6	5 × 11	8	8 × 11	6	8 × 11	6						
1	010	5 × 11	9	5 × 11	12	8 × 11	9	8 × 11	9	10 × 16	15				
2.2	2R2	5 × 11	15	8 × 11	15	8 × 11	15	8 × 12	15	10 × 16	20	10 × 16	29		
3.3	3R3	5 × 11	18	8 × 12	20	8 × 12	20	10 × 13	20	10 × 16 10 × 20	25	10 × 20	35		
4.7	4R7	5 × 11	20	8 × 12	25	10 × 13	30	10 × 13	30	13 × 20 16 × 25	40	13 × 20	50		
10	100	6 × 11 8 × 11	35	10 × 13	40	10 × 16	45	10 × 20	45	10 × 20 13 × 20	70	13 × 25	75		
22	220	8 × 12	65	10 × 20	70	10 × 20	70	13 × 25	80	16 × 31	110	16 × 31	110		
33	330	10 × 13	95	13 × 20	110	13 × 25	110	13 × 25	100	19 × 35	180	19 × 35	150		
47	470	10 × 16	120	13 × 25	140	13 × 25	140	16 × 25	140			22 × 40	230		
100	101	13 × 20	220	16 × 25	250	16 × 31	250	19 × 35	260						
220	221	16 × 25	420	19 × 35	430										
330	331	16 × 31	510												
470	471	19 × 31	680												
1000	102	19 × 40	1200												

额定纹波电流Rated ripple current(mA,+105°C,120Hz)