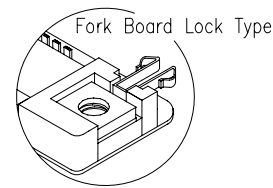
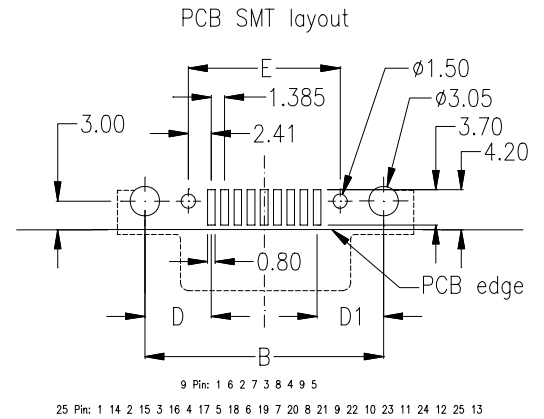
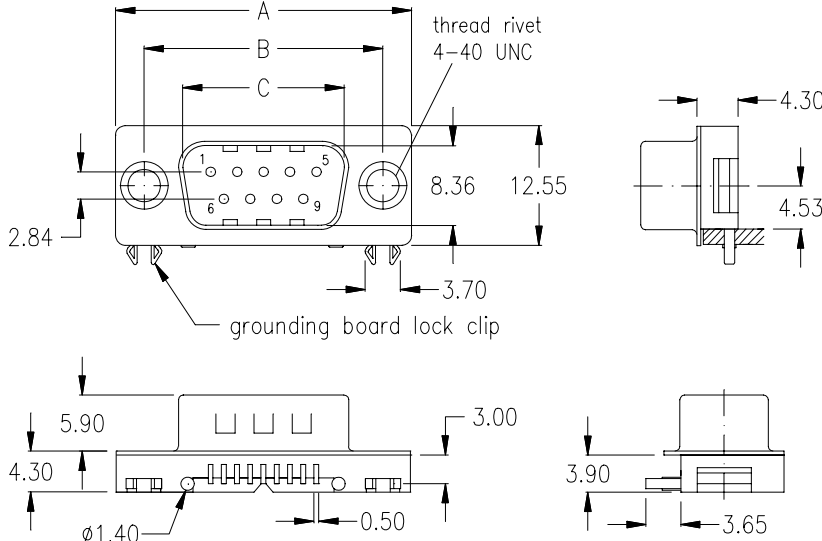


male – with fork board lock type –



Option:
Jack Screw has to be ordered separately.
See page 70

for technical & electrical specification please go to page 72

No. of contacts	Dimension					
	A	B	C	D	D1	E
009	30.81	24.99	16.92	6.96	6.96	15.90
	1.213	.984	.666	.274	.274	.626
025	53.04	47.04	38.96	6.90	6.90	38.06
	2.088	1.852	1.534	.272	.272	1.498

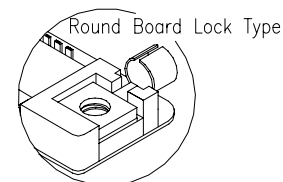
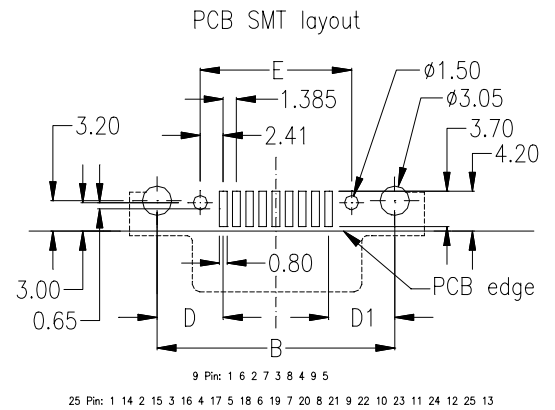
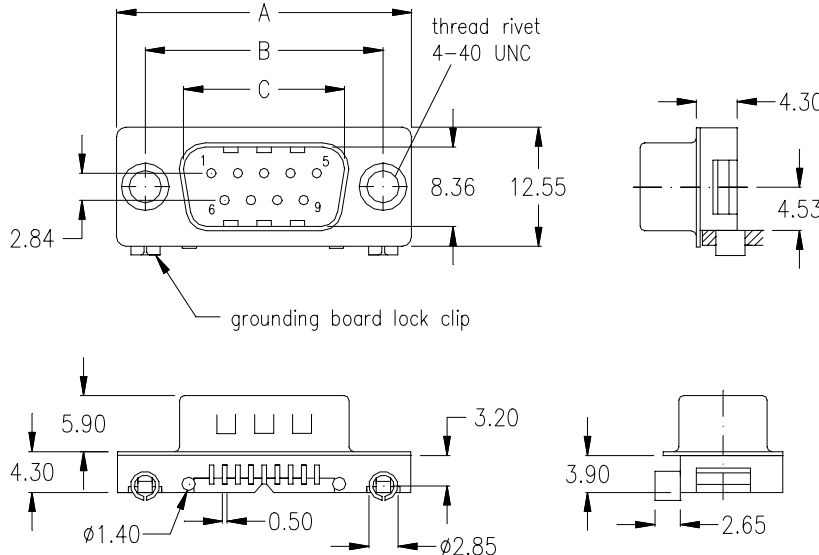
Ordering Code

SSM - xxx - U908 - 95 / N

No. of contacts

Plating: -95= tin(leadfree)/gold

male – with round board lock type –



Option:
Jack Screw has to be ordered separately.
See page 70

for technical & electrical specification please go to page 72

No. of contacts	Dimension					
	A	B	C	D	D1	E
009	30.81	24.99	16.92	6.96	6.96	15.90
	1.213	.984	.666	.274	.274	.626
025	53.04	47.04	38.96	6.90	6.90	38.06
	2.088	1.852	1.534	.272	.272	1.498

Ordering Code

SSM - xxx - U908 - 95 / R

No. of contacts

Plating: -95= tin(leadfree)/gold