

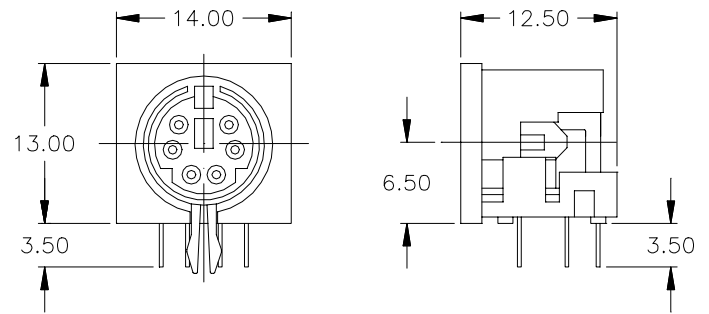
Mini DIN Connector - 90° non shielded type



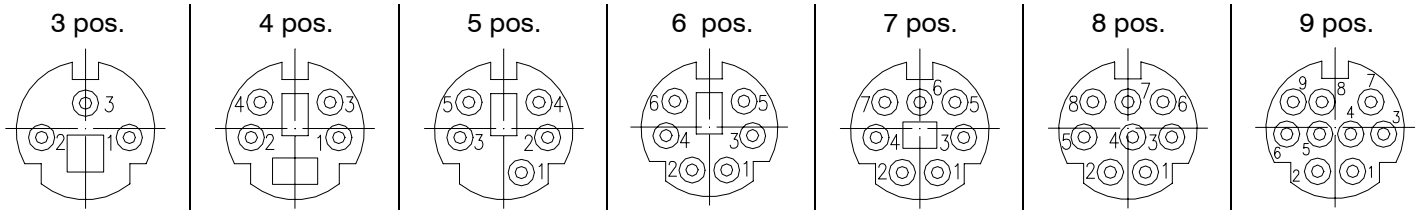
Mini DIN Connectors offered by E-tec have either silver or tin plated contacts. They allow a high number of insertion/extraction cycles and always a save connection to the Plug.

For any other types you may looking for and cannot find specified in this catalog, for example Mini DIN connectors with Filter or switch, please contact the nearest E-tec office or Distributor.

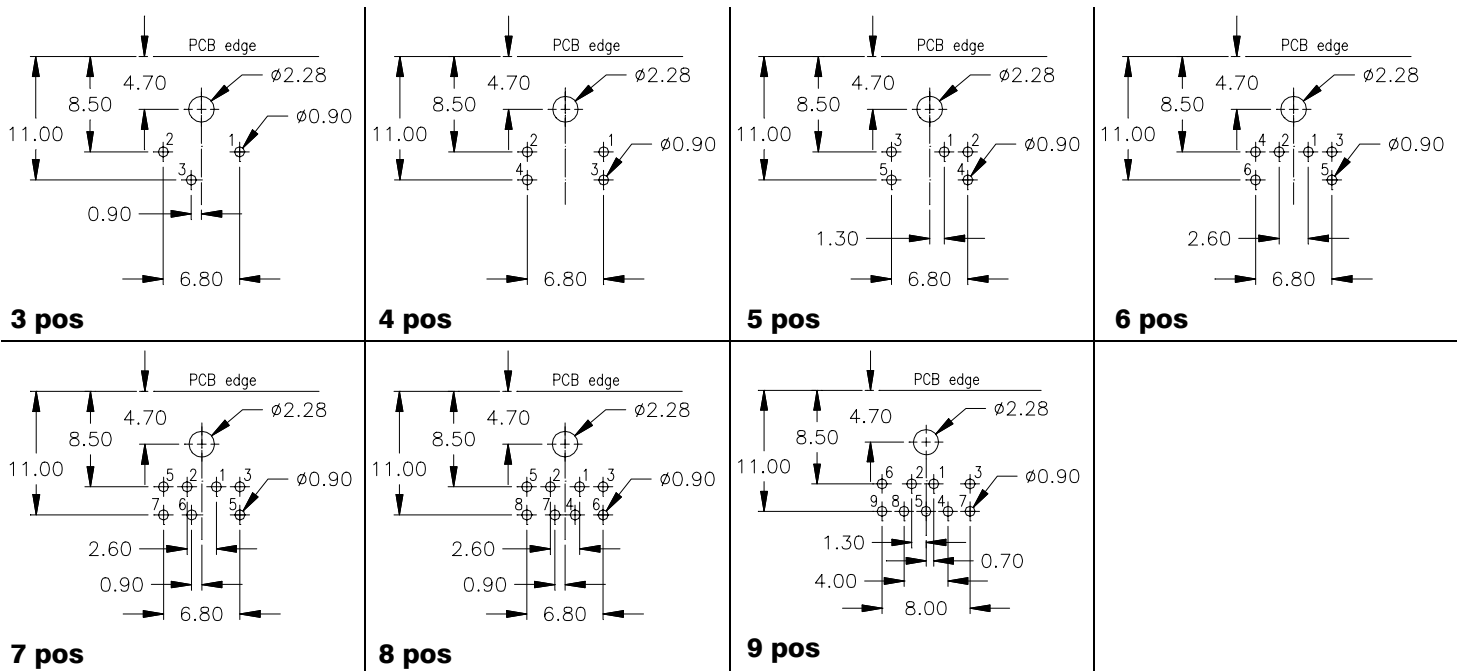
non shielded type



FRONT VIEWS



PCB through hole layout



SPECIFICATIONS

Current rating	1 A max. at 100 V AC or 2 A max. at 12 V DC	Contact material (RoHS compliant)	Phosphor bronze
Insulator resistance	50 MΩ min. at 250 V DC	Contact plating	Silver
Contact resistance	30 mΩ max.	Insulator material (RoHS compliant)	P.B.T. UL 94 V-0
Dielectric withstanding voltage	250 V AC for 1 min.	Insertion force	4.5kg max.
Operating temperature	-55°C to +85°C	Extraction force	0.8kg min.
		Insertion/extraction cycles	500 min.

Ordering Code

MDJ - xxx - RN 01 - AGZ

Nbr of contacts
003 to 009