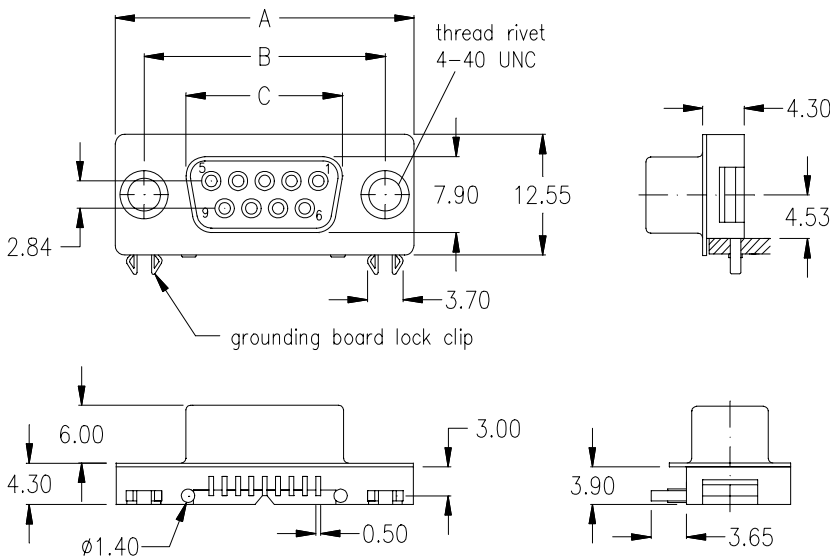


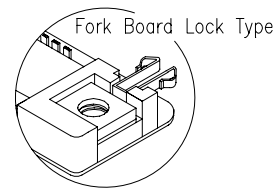
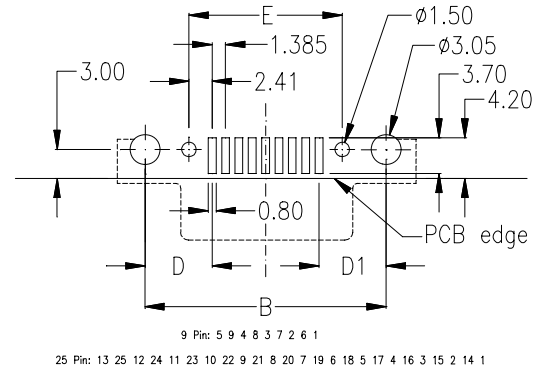
female – with fork board lock type –



for technical & electrical specification please go to page 72

No. of contacts	Dimension					
	A	B	C	D	D1	E
009	30.81	24.99	16.33	6.96	6.96	15.90
	1.213	.984	.643	.274	.274	.626
025	53.04	47.04	38.38	6.90	6.90	38.06
	2.088	1.852	1.511	.272	.272	1.498

PCB SMT layout



Option:

Jack Screw has to be ordered separately. See page 70

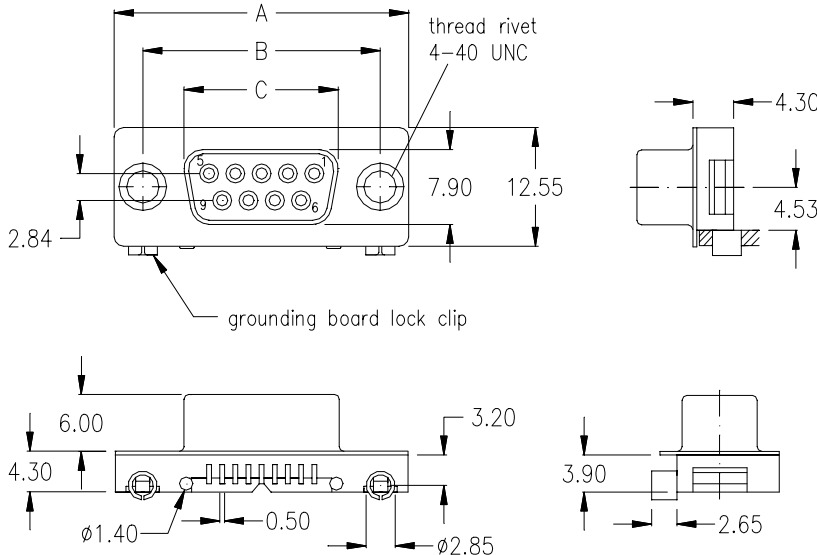
Ordering Code

SSF - xxx - U908 - 95 / N

No. of contacts

Plating: -95= tin(leadfree)/gold

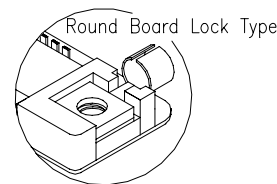
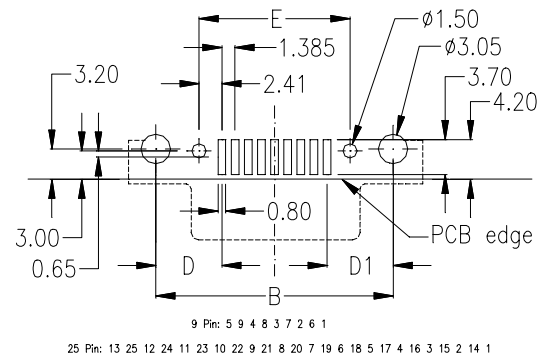
female – with round board lock type –



for technical & electrical specification please go to page 72

No. of contacts	Dimension					
	A	B	C	D	D1	E
009	30.81	24.99	16.33	6.96	6.96	15.90
	1.213	.984	.643	.274	.274	.626
025	53.04	47.04	38.38	6.90	6.90	38.06
	2.088	1.852	1.511	.272	.272	1.498

PCB SMT layout



Option:

Jack Screw has to be ordered separately. See page 70

Ordering Code

SSF - xxx - U908 - 95 / R

No. of contacts

Plating: -95= tin(leadfree)/gold