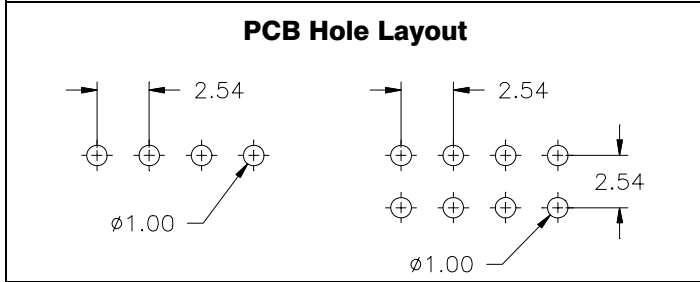
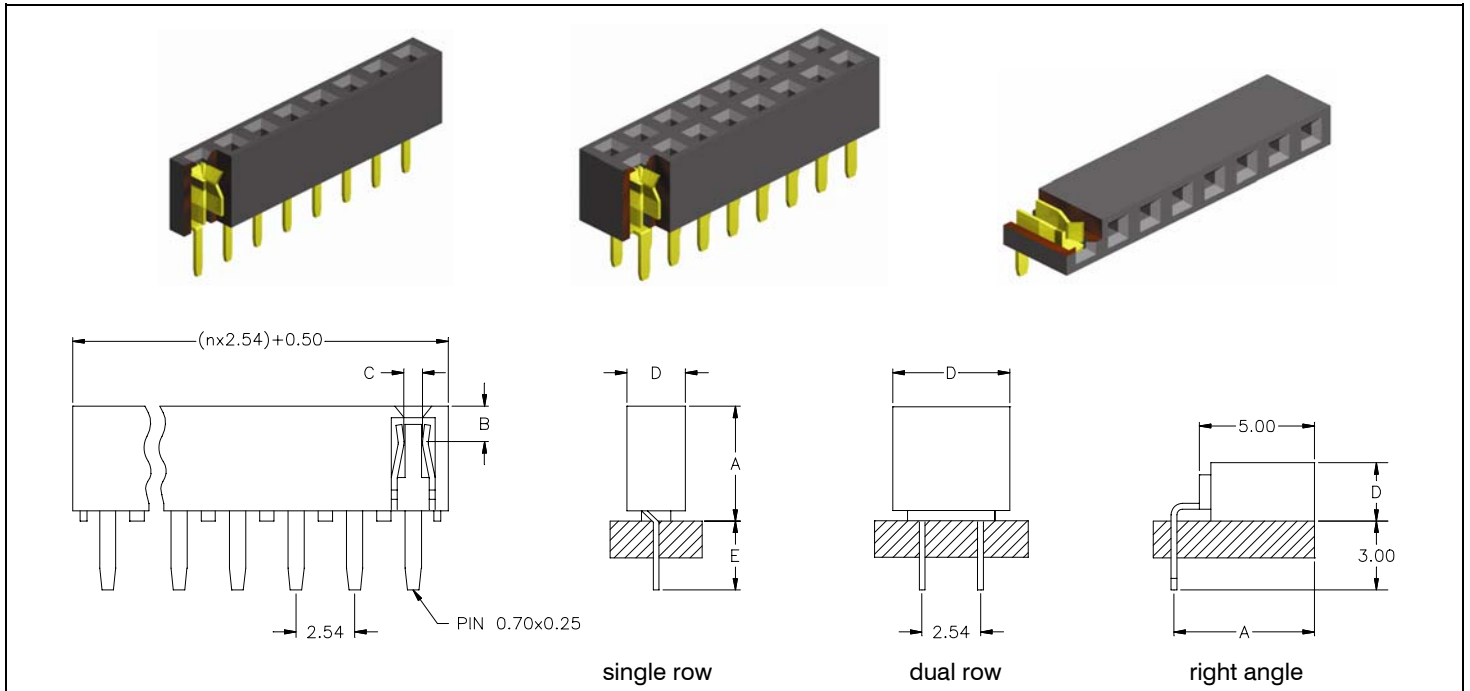


2.54mm pitch Female Header

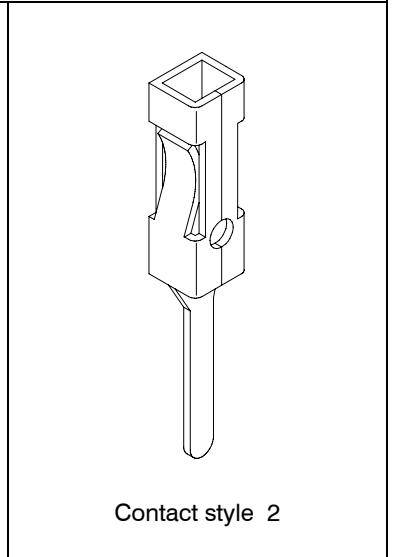
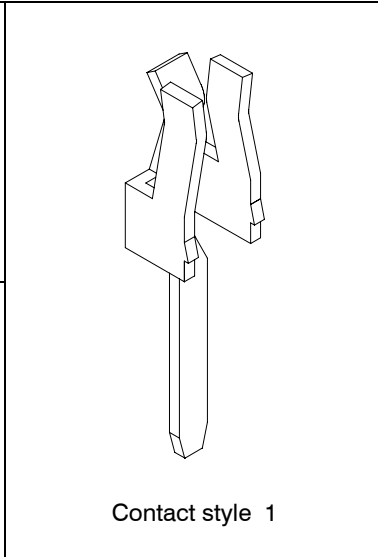
- THT - folded contacts



SPECIFICATIONS

Current rating	3 A
Insulator resistance	5000 MΩ min.
Contact resistance	20 mΩ max.
Dielectric withstanding voltage	500 V AC
Operating temperature	- 40°C to +105°C
Contact material	Phosphor Bronze
Insulator material	P.B.T. UL 94 V-0

(RoHS compliant)



How to order

BF x - xxx - X xxx - **55**

Rows	Contacts	Available types & dimensions (mm)								Plating
		Code	Type	Contact style	A	B	C	D		
								1 row	2 rows	
1 = 1 row	002 to 040	S 500	straight	1	5.00	1.50	0.42	2.50	5.00	3.20
2 = 2 rows	004 to 080									
1 = 1 row	003 to 040	R 500	R/A	1	6.10	1.50	0.42	2.50	n/a	
1 = 1 row	002 to 030	S 680	straight	2	6.80	3.50	0.50	3.50	5.80	3.50
2 = 2 rows	004 to 060									
1 = 1 row	002 to 040	S 710	straight	1	7.10	1.50	0.22	2.50	5.00	3.20
2 = 2 rows	004 to 080									
1 = 1 row	002 to 040	S 850	straight	1	8.50	1.50	0.22	3.00	5.50	3.20
2 = 2 rows	004 to 080									

55 = gold

other plating on request