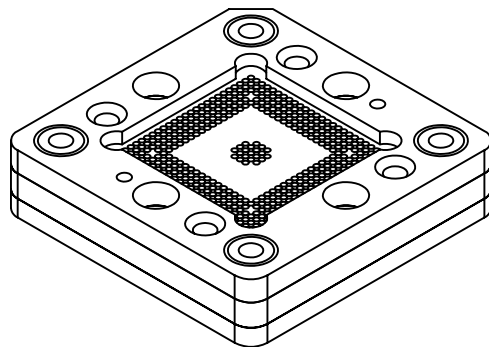
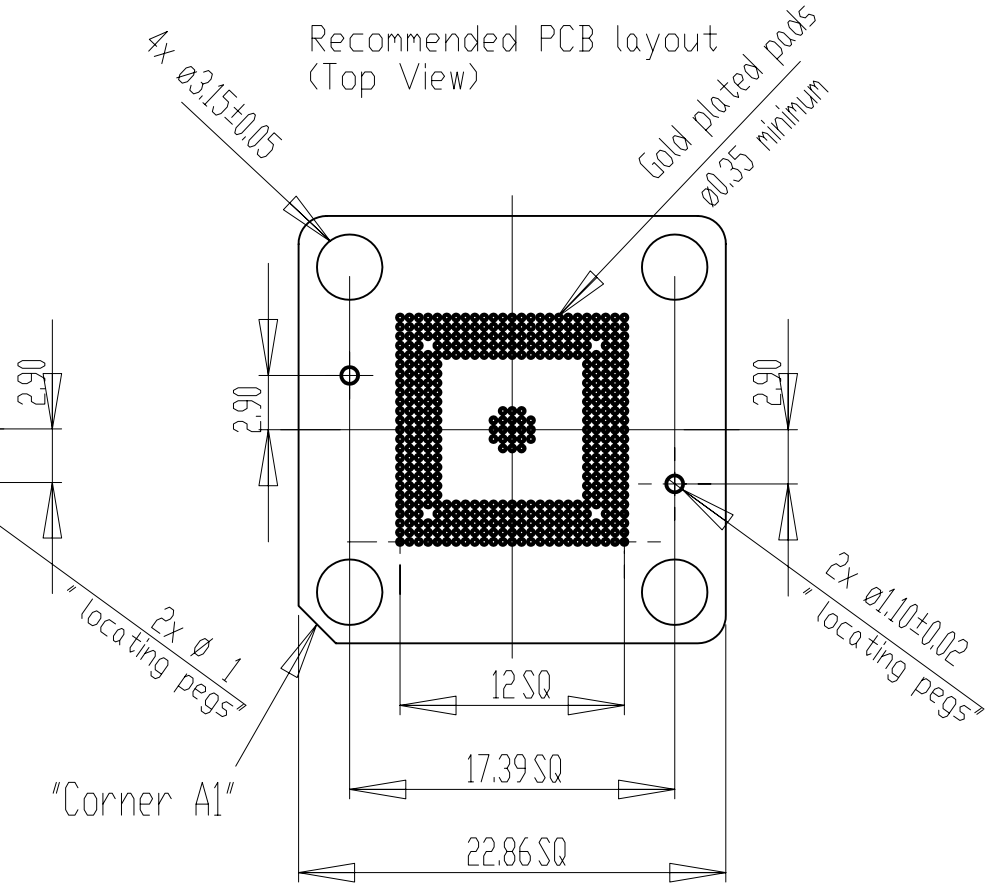
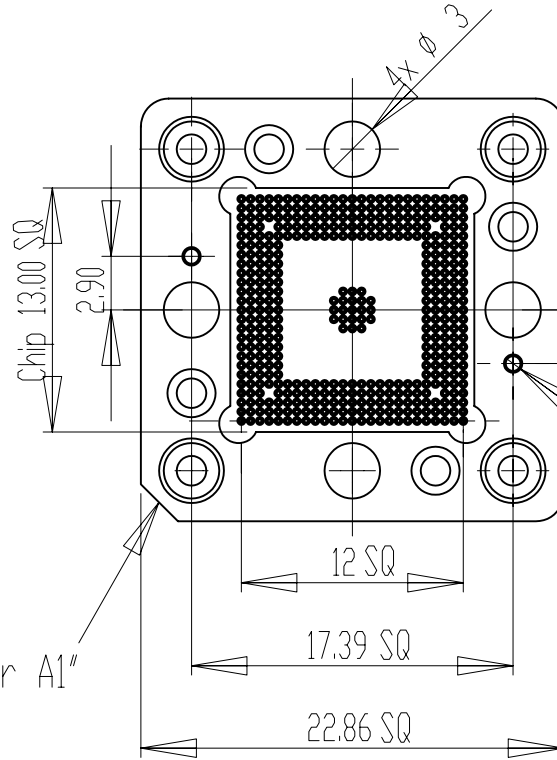
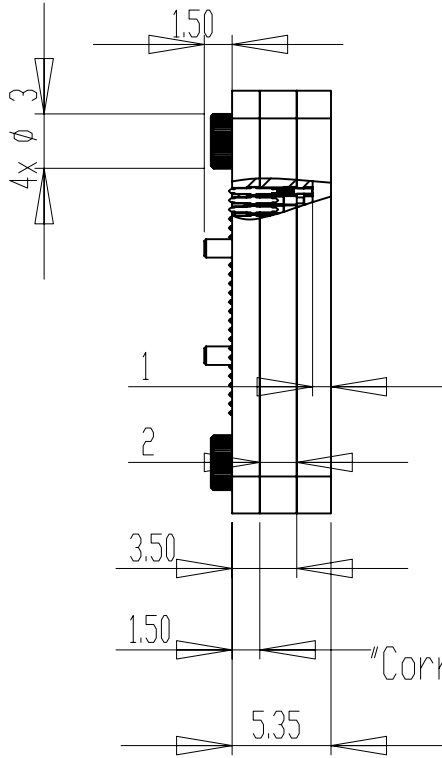


REV	DESCRIPTION	DATE	BY
A	NEW DRAWING	06/26/07	H.N.

SKT2945

Socket  
Material: Torlon 4301

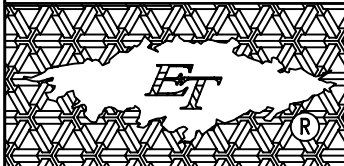
Recommended PCB layout  
(Top View)



PACKAGE SPECIFICATIONS	
PIN COUNT	≡ 417
LEAD PITCH	≡ 0.50mm
GRID SIZE	≡ 25X25
PACKAGE SIZE	≡ 13.00mm SQ
IC BALL DIA	≡ 0.35mm MAX
BALL HEIGHT	≡ 0.30mm MAX.

UNLESS OTHERWISE SPECIFIED:  
DIMENSIONS ARE IN MILLIMETERS  
SURFACE FINISH:  
GENERAL TOLERANCES: ±0.10  
LINEAR:  
ANGULAR:

ALL DIMENSIONS ARE IN MILLIMETERS UNLESS OTHERWISE SPECIFIED



**Emulation Technology, Inc.**  
— VLSI and SMT ADAPTERS and ACCESSORIES —

2344 Walsh Avenue, Bldg.F  
Santa Clara, Ca 95051  
TEL:(408)982-0660  
FAX:(408)982-0664

SHEET: 1 OF 1	DATE: 06/26/07	REVISION: A	<b>ASSEMBLY DRAWING</b>
CHECKED:	DRAWN: H.N.	ITEM: S-MUK-25-417-BS	
Scale N/A	DO NOT SCALE DRAWING	DESCRIPTION: BUK-417-5BG025-90-BASE	