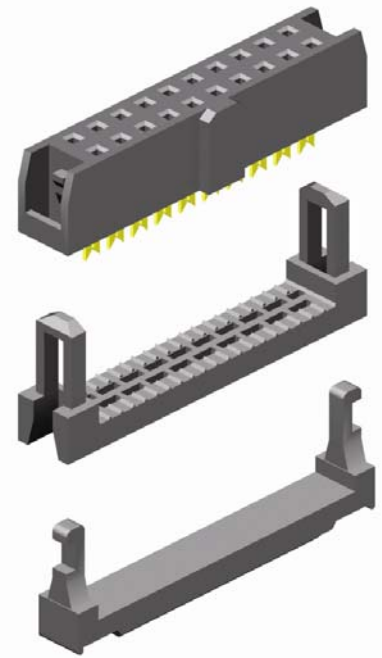
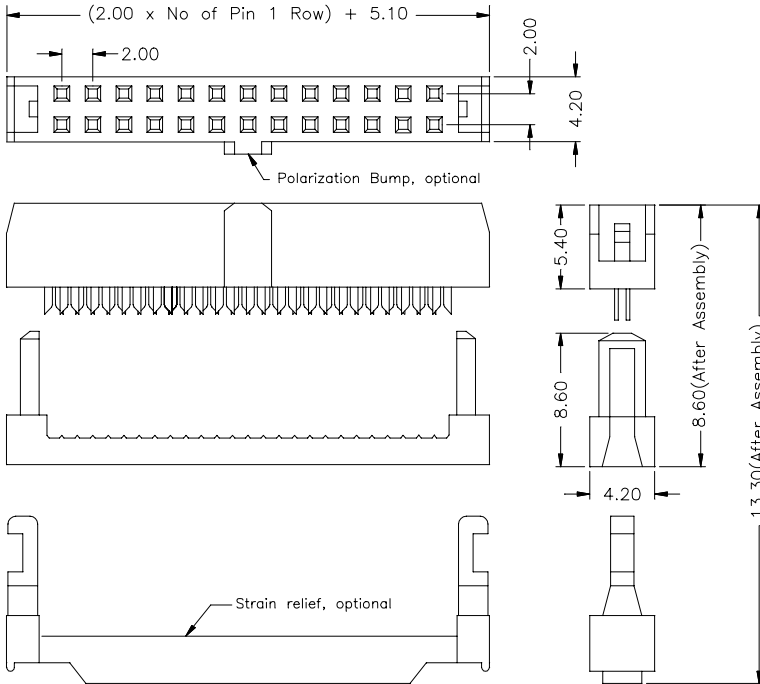


2,00mm pitch

IDC – Female Connector



SPECIFICATIONS

Current rating	1 A	Operating temperature	- 40° to +105°C
Insulator resistance	5000 MΩ min.	Contact material	Phosphor Bronze (RoHS compliant)
Contact resistance	20 mΩ max.	Insulator material	PBT UL 94 V-0 (RoHS compliant)
Dielectric withstanding voltage	AC 500 V		

APPLICATION AND FEATURES

Designed to mate with 0.50mm square pins Box Header page 44 & 45

High Quality dual beam contacts
Accepts 26 & 28 AWG 1,00mm flat ribbon cable.

How to order

IDS - xxx - X 200 - 95 (/ P)

Nbr of contacts
available with strain relief: 010; 012; 014; 016; 018; 020 022; 024; 026; 028; 030; 032 034; 040; 044; 050
available without strain relief: 006; 008; 010; 012; 014; 016 018; 020; 022; 024; 026; 028 030; 032; 034; 040; 044; 050 054; 056; 060; 064; 068

Strain relief
S = with W = without

Plating
95 = tin / gold <i>(tin leadfree)</i> others on request

Option
P Polarization bump