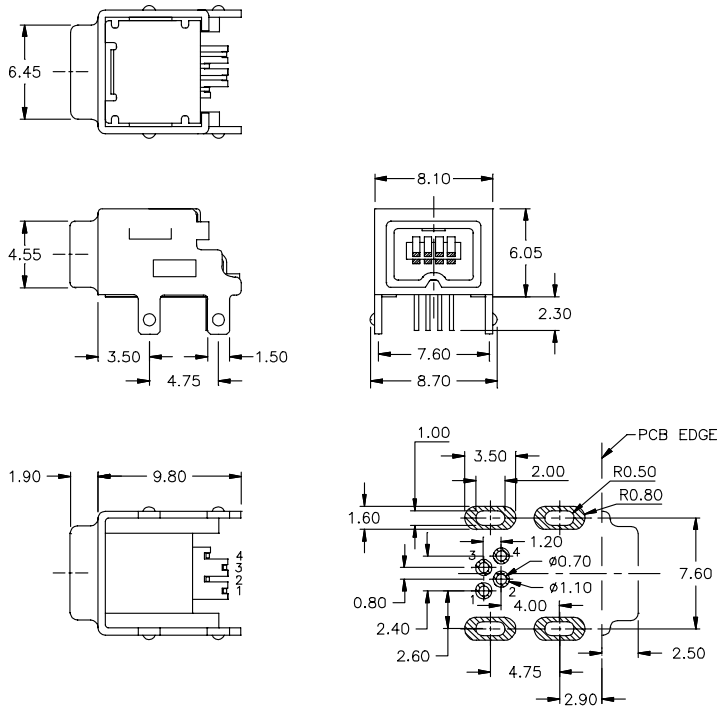
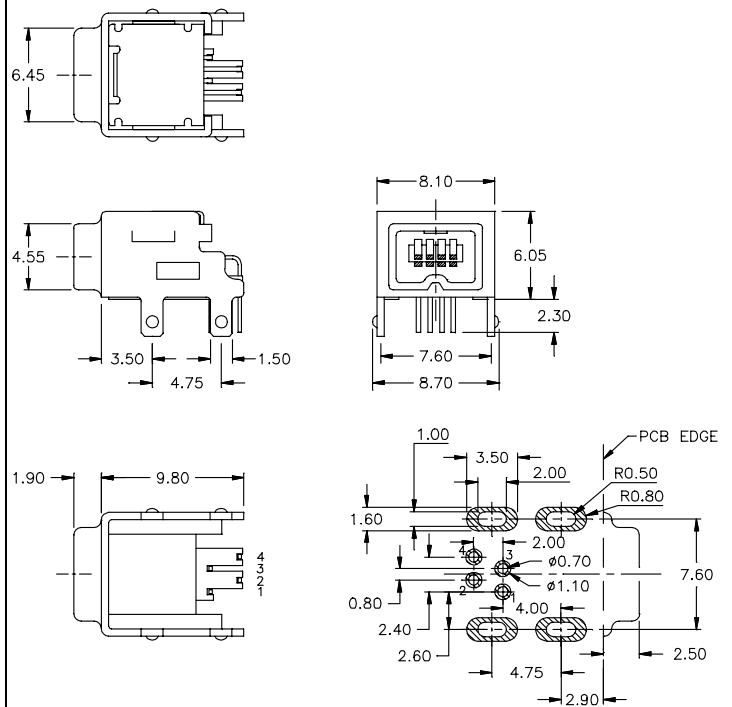


single port right angle



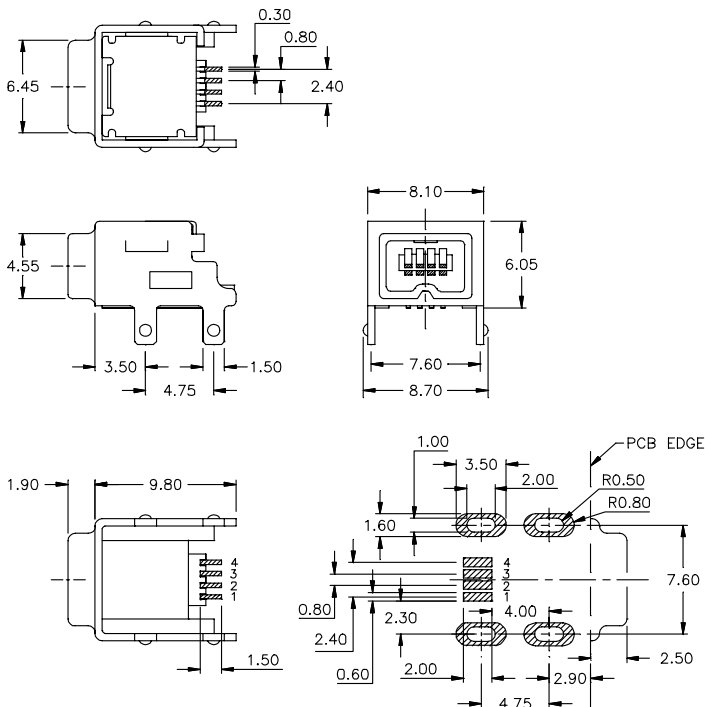
ORDER CODE: **IES - B04 - RI01 - 95**

single port right angle
“reversed” Type



ORDER CODE: **IES - B04 - RIR1 - 95**

single port right angle; SMT



ORDER CODE: **IES - B04 - SI01 - 95**

Specification

Material

Contact (RoHS compliant)	Phosphor bronze
Plating:	
Contact area	gold
Solder area	tin (leadfree)
Housing (RoHS compliant)	Nylon PA66 UL 94-V0 black (standard)
Shell (RoHS compliant)	brass, tin (leadfree) or nickel plated

Mechanical

Mating cycles	1.500 min.
---------------	------------

Electrical

Current rating	1 A max. 1 Contact (Signal only)
Voltage rating	30V AC (rms)
Withstanding voltage	750V AC (rms) 1 Minute
Insulation resistance	1.000MΩ min. (500V DC)
Contact resistance	30mΩ max.

Others

Operating temperature	-30° C to +75° C
Processing temp. for SMT type	+230° C for 30 sec. max. +260° C for 10 sec. max.