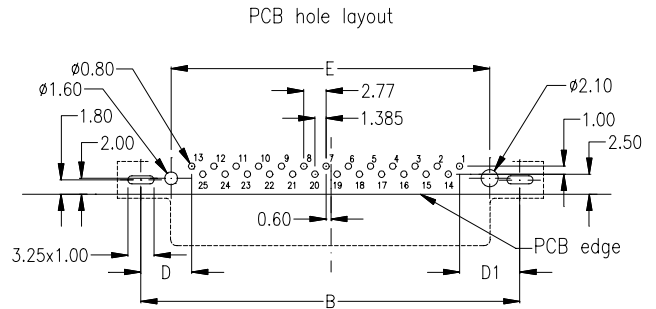
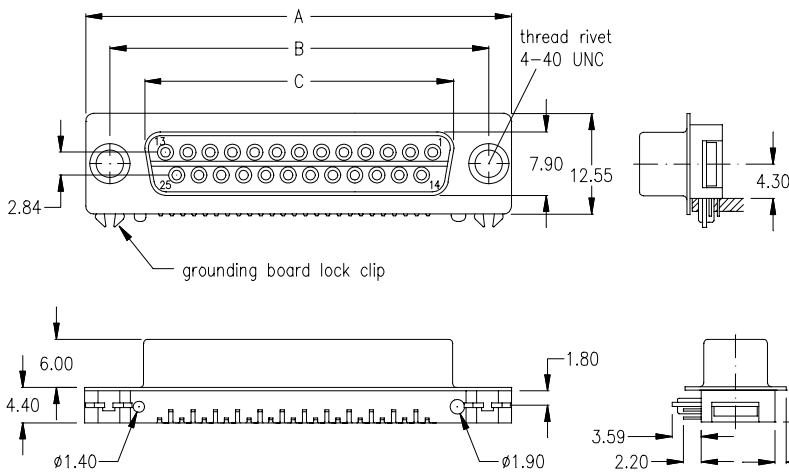


female



Option:

Jack Screw has to be ordered separately. See page 70

for technical & electrical specification please go to page 72

No. of contacts	Dimension					
	A	B	C	D	D1	E
025	53.04 2.088	47.04 1.852	38.38 1.511	6.30 .248	7.50 .295	39.54 1.557

Ordering Code

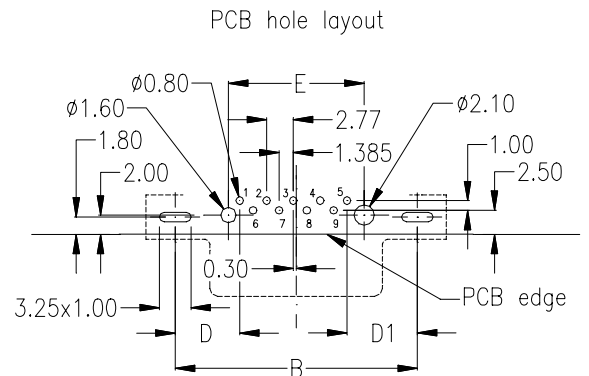
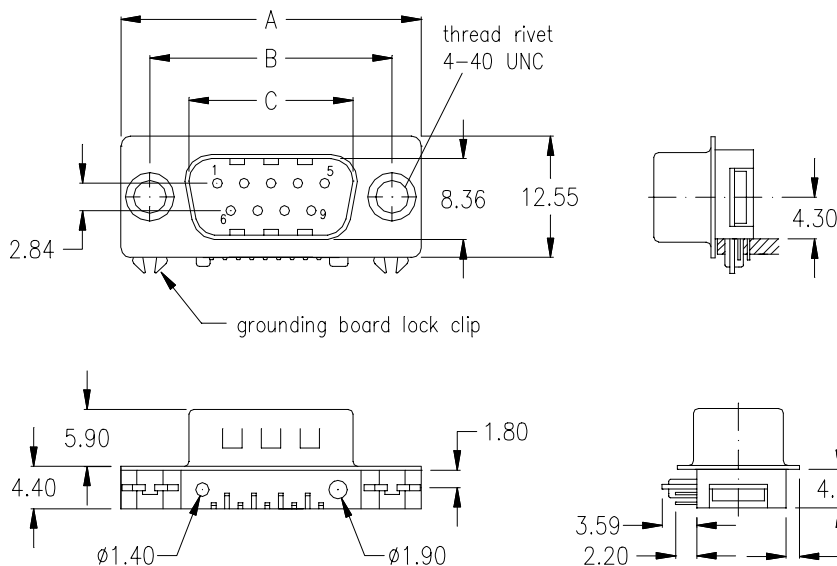
for "Wave Solder" Technology

SDF - 025 - US91 - 95 / N

for "Pin-In-Paste" Technology

SDF - 025 - US91 - 95 / SN

male



Option:

Jack Screw has to be ordered separately. See page 70

for technical & electrical specification please go to page 72

No. of contacts	Dimension					
	A	B	C	D	D1	E
009	30.81 1.213	24.99 .984	16.92 .666	6.66 .262	7.26 .286	14.00 .551

Ordering Code

for "Wave Solder" Technology

SDM - 009 - US91 - 95 / N

for "Pin-In-Paste" Technology

SDM - 009 - US91 - 95 / SN