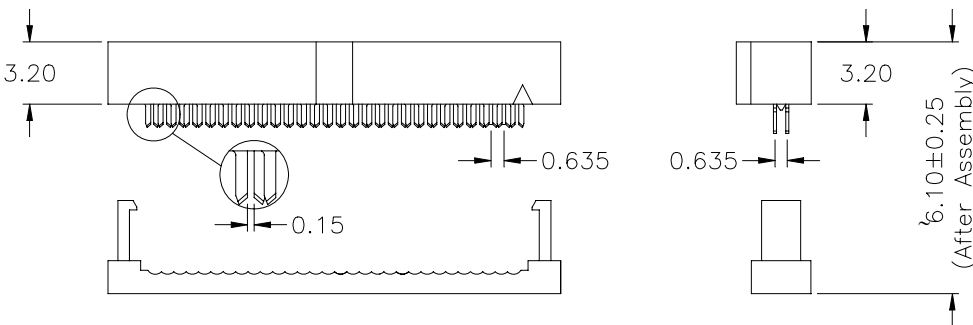
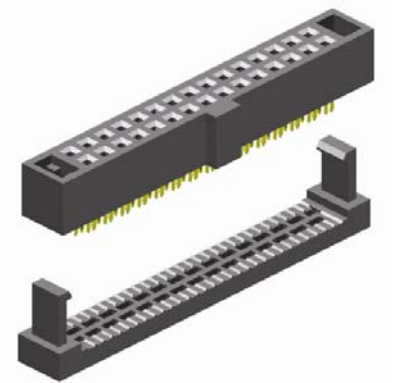
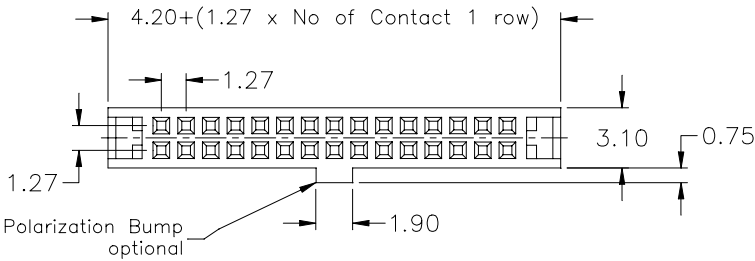


1.27mm pitch

IDC – Female Connector



SPECIFICATIONS

Current rating	1 A	Operating temperature	- 40° to +65°C
Contact resistance	20 mΩ max.	Contact material	(RoHS compliant) Phosphor Bronze
Dielectric withstanding voltage	125 V AC	Insulator material	(RoHS compliant) P.B.T. black UL 94 V-0

APPLICATION AND FEATURES

Designed to mate with 0.40mm square pins, box (shrouded) header type
 SLS – xxx – X 510 – 55/11 page 27 and SLE – xxx – X630 – xx/11S page 28

High Quality dual beam contacts.
 Accepts 30 AWG flat ribbon cable.

How to order

IDS - xxx - W 050 - 55 / P

Nbr of contacts
010; 012; 014
016; 020; 026
030; 034; 040
050

Plating
55 = gold

Option
P
if Polarization bump is requested.