



EMULATION TECHNOLOGY, INC.

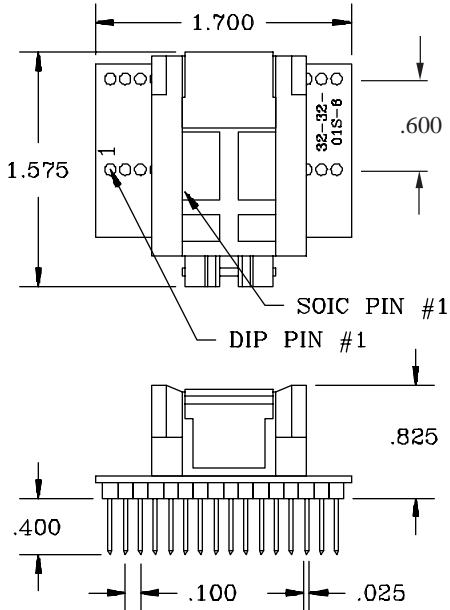
PROGRAMMING ADAPTER SPECIFICATION

Item: 323201S600
Description: AS-32-32-01S-6

REPLACEMENT SOCKET: S-SOL-00-032-A

Call Emulation Technology for a replacement socket price and delivery quote.

TYPICAL DIMENSIONS:



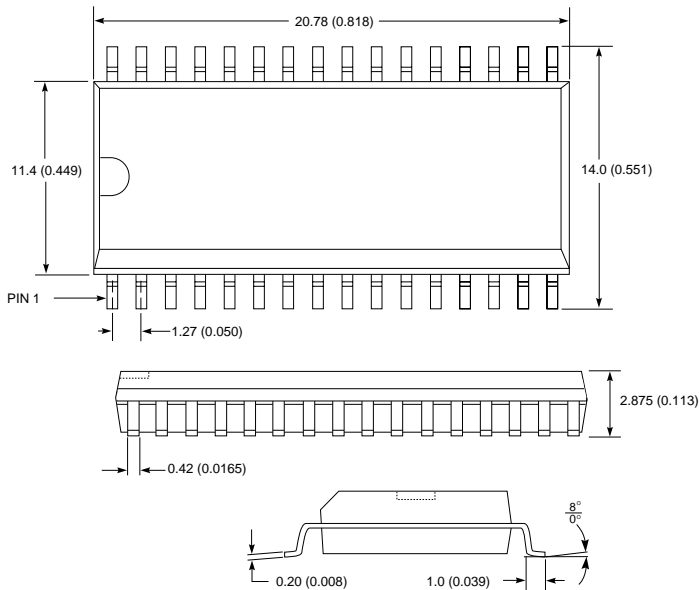
All Dimensions in Inches.

(Assembly Drawing: F1882)

CONNECTION TABLE:

32-Lead SOIC SOCKET	32-Pin DIP Base
1	1
2	2
3	3
4	4
5	5
6	6
7	7
8	8
9	9
10	10
11	11
12	12
13	13
14	14
15	15
16	16
17	17
18	18
19	19
20	20
21	21
22	22
23	23
24	24
25	25
26	26
27	27
28	28
29	29
30	30
31	31
32	32

PACKAGE SPECIFICATIONS:



All Dimensions in Millimeters and (Inches).

ET Code: 032-SO10

Compatible SOIC devices:

- 27010 28F256/A
- 27C010 28F512
- 27C020 HN27C101
- 27C040
- 27C101
- 28F001BX
- 28F010
- 28F020

And others with this package and 1 to 1 connection.

Manufacturers:

- Intel
- Hitachi

Programmers:

All, supporting DIP version



EMULATION TECHNOLOGY, INC.

2344 WALSH AVENUE • BUILDING F
SANTA CLARA, CA 95051-1301

TEL 408 / 982.0660 • FAX 408 / 982.0664

Call today for a FREE Full Line Catalog and Unlimited Application Consulting!