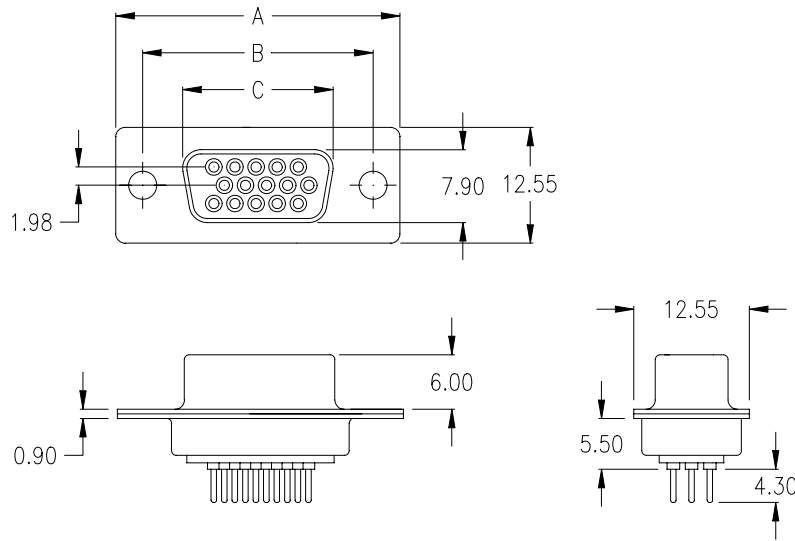


SH Series - High Density D-Sub

S111 standard soldertail type



female



Ordering Code

SHF - xxx - S111 - 95 / XXX

No. of contacts

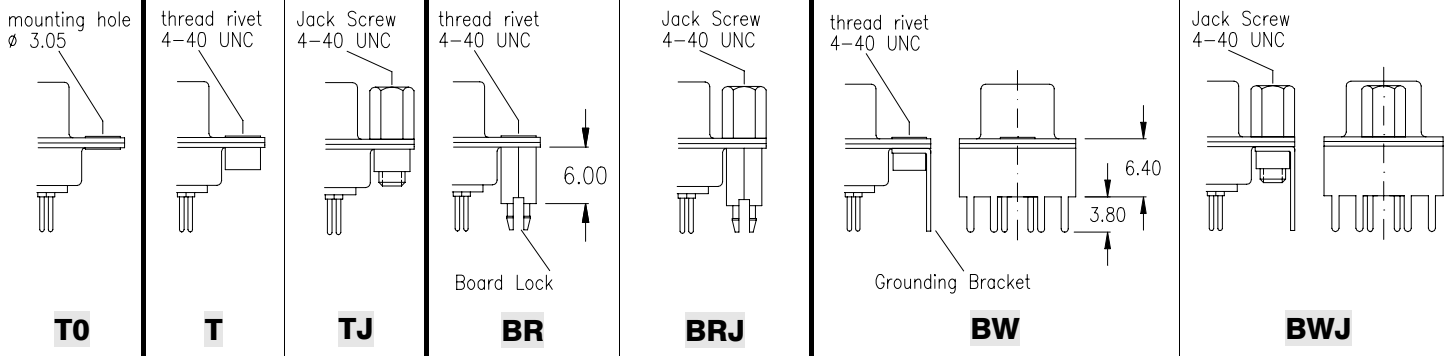
Option

Plating: -95 = tin(leadfree)/gold

General Specification page 72

No. of contacts	Dimension		
	A	B	C
015	30.81	24.99	16.33
	1.213	.984	.643
026	39.14	33.32	24.66
	1.541	1.312	.971
044	53.04	47.04	38.38
	2.088	1.852	1.511
062	69.32	63.50	54.84
	2.729	2.500	2.159

Options



PCB Layout „female“

