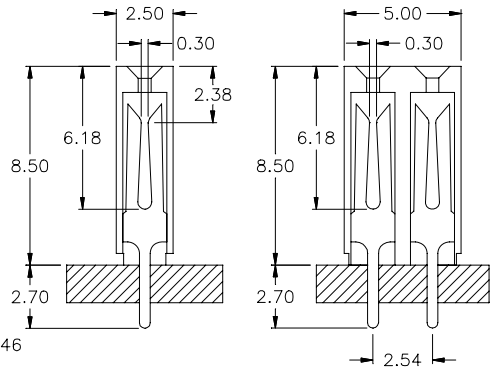
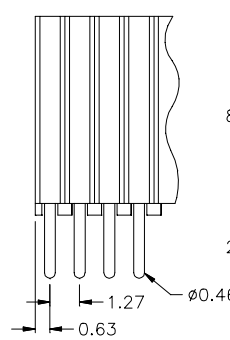
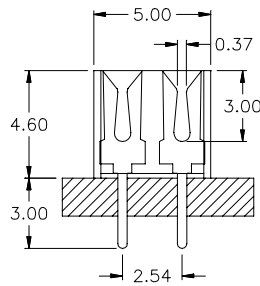
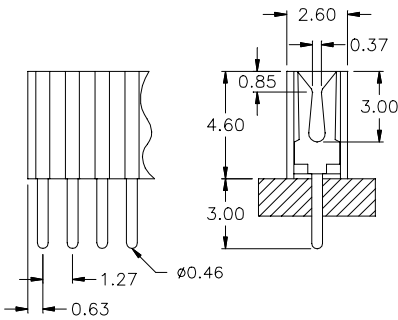
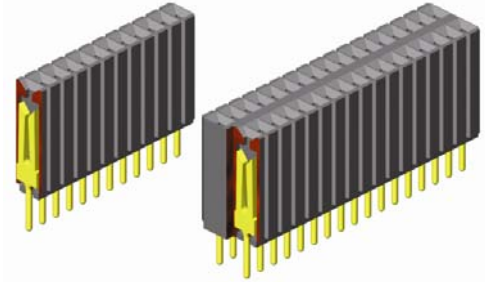
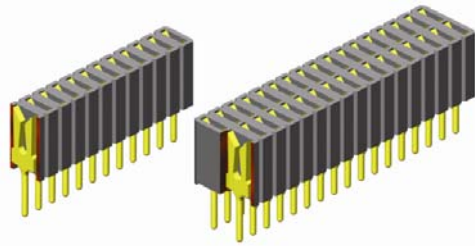


1.27mm pitch Female Header -THT-  
1.27mm x 2.54mm dual row



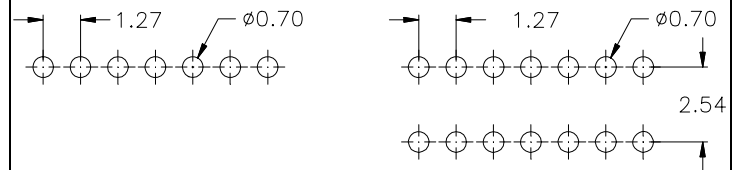
**S 460**

**S 850**

**SPECIFICATIONS**

**PCB Hole Layout**

Current rating	1 A
Insulator resistance	5000 MΩ min.
Contact resistance	20 mΩ max.
Dielectric withstanding voltage	500 V AC
Operating temperature	- 40°C to +105°C
Contact material (RoHS compliant)	Phosphor Bronze
Insulator material (RoHS compliant)	Nylon UL 94 V-0



**APPLICATION AND FEATURES**

Standard & low profile types  
Hi-rel fork contact design  
Mates with 0.46mm square or round Pin Header

**How to order**

**BL x - xxx - S xxx - 55 /1**

Rows	Nbr of contacts	Connector style (height above board)	Plating
<b>1</b> = single row  <b>2</b> = dual row	<u>connector style 460</u> single row = <b>003</b> to <b>040</b> dual row = <b>006</b> to <b>080</b>	<b>460</b> = 4.60mm	<b>55</b> = gold  Others on request
	<u>connector style 850</u> single row = <b>003</b> to <b>035</b> dual row = <b>006</b> to <b>070</b>	<b>850</b> = 8.50mm	