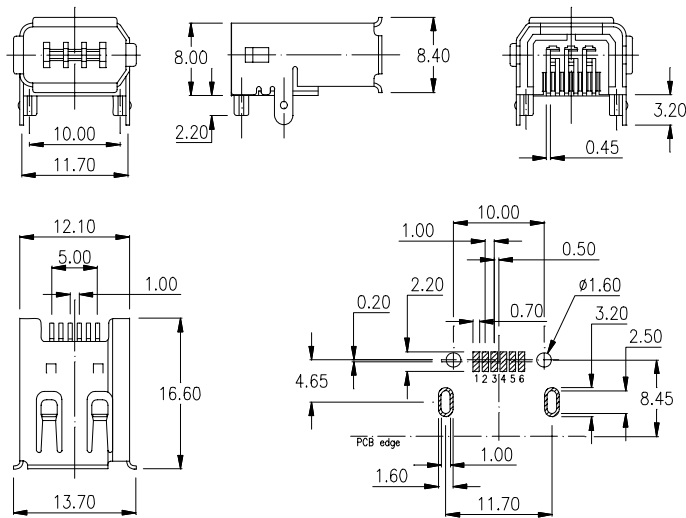


IES Series - „IEEE 1394” Connector

6 – Contact Type



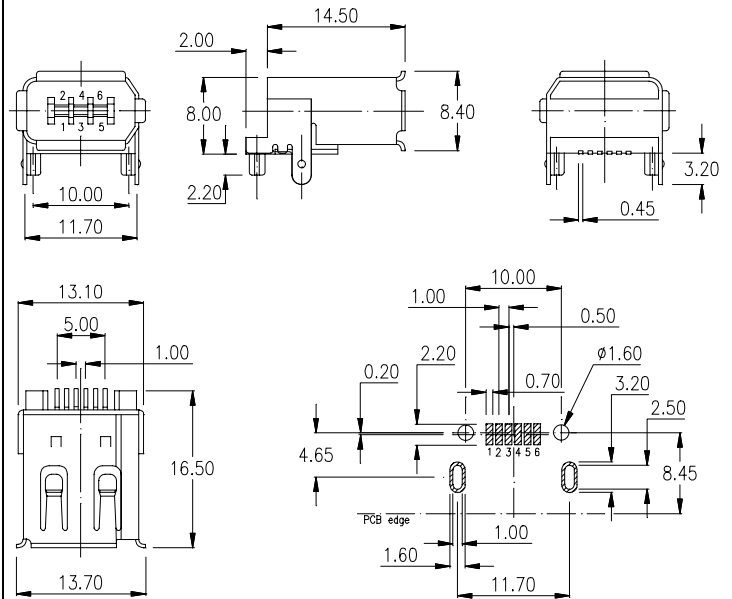
single port right angle; SMT



ORDER CODE: **IES - B06 - SI01 - 95** (- W06 - if white housing)

single port right angle; SMT

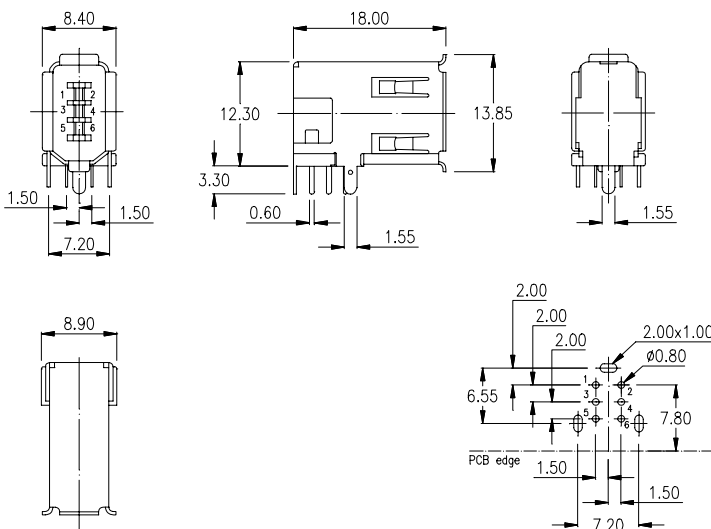
“fully shielded” Type



ORDER CODE: **IES - B06 - SIF1 - 95** (- W06 - if white housing)

single port vertical; soldertail

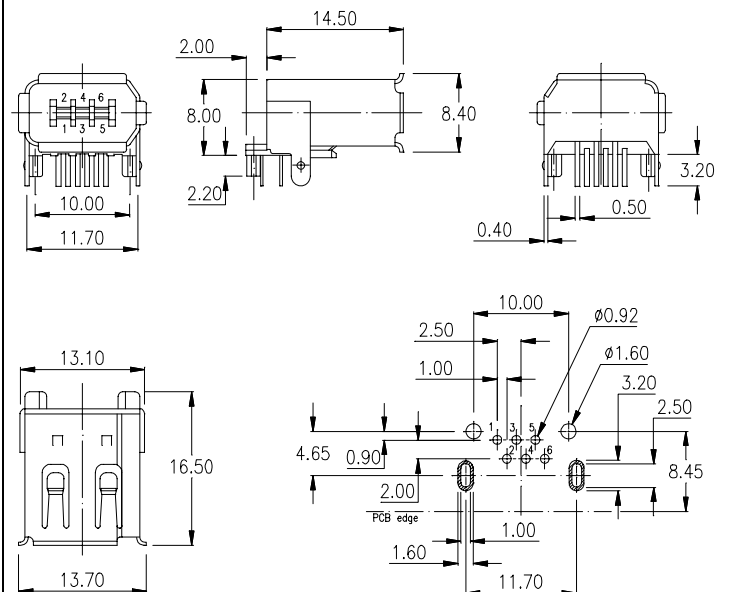
“fully shielded” Type



ORDER CODE: **IES - B06 - VIF1 - 95** (- W06 - if white housing)

single port right angle; soldertail

“fully shielded” Type



ORDER CODE: **IES - B06 - RIF1 - 95** (- W06 - if white housing)

Specification

Material

| | | |
|--------------|------------------|--|
| Contact | (RoHS compliant) | Phosphor bronze |
| Plating: | | |
| Contact area | | gold |
| Solder area | | tin (leadfree) |
| Housing | (RoHS compliant) | PBT UL 94-V0 |
| SMT housing | (RoHS compliant) | Nylon PA66 UL 94-V0 |
| Shell | (RoHS compliant) | brass, tin (leadfree) or nickel plated |

Mechanical

| | |
|---------------|------------|
| Mating cycles | 1.500 min. |
|---------------|------------|

Electrical

| | |
|-----------------------|----------------------------------|
| Current rating | 1 A max. 1 Contact (Signal only) |
| Voltage rating | 30V AC (rms) |
| Withstanding voltage | 750V AC (rms) 1 Minute |
| Insulation resistance | 1.000MΩ min. (500V DC) |
| Contact resistance | 30mΩ max. |

Others

| | |
|-------------------------------|--|
| Operating temperature | -30° C to +75° C |
| Processing temp. for SMT type | +230° C for 30 sec. max. +260° C for 10 sec. max. |