

REV	DESCRIPTION	DATE	BY
A	NEW DRAWING	10/15/04	H.N.

F7366

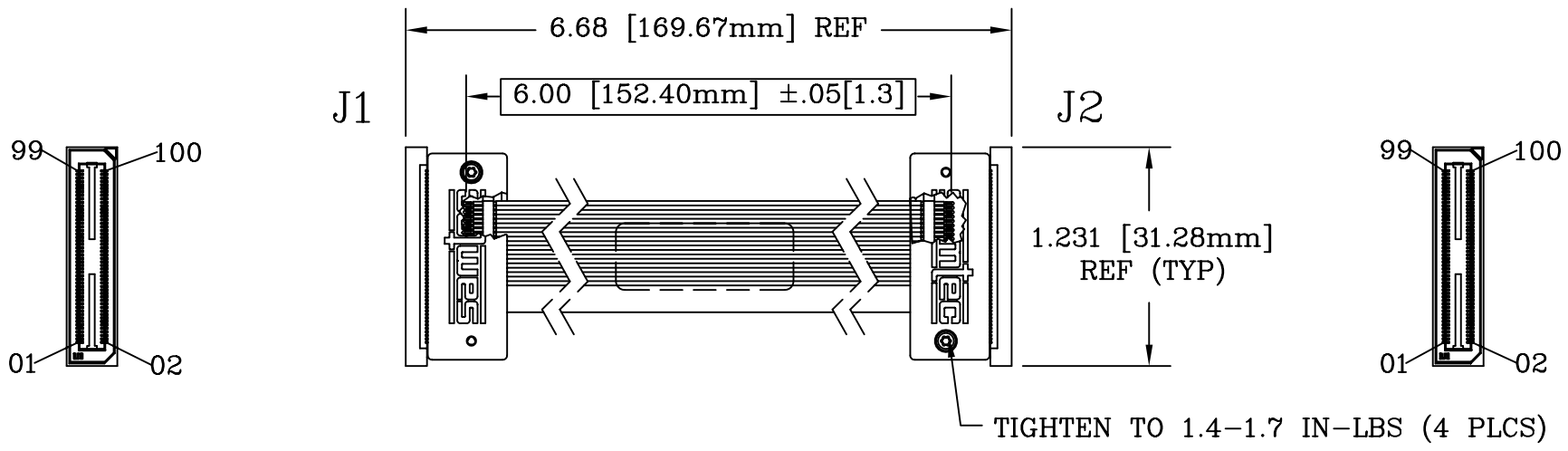
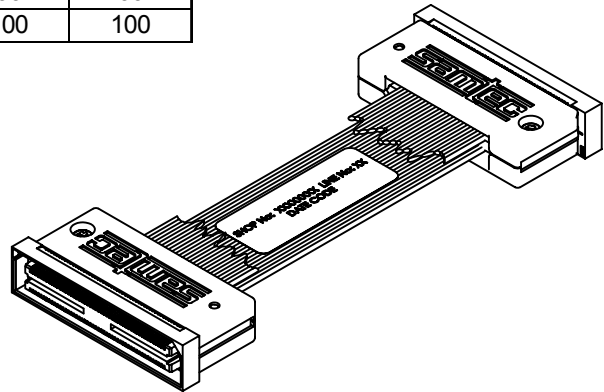
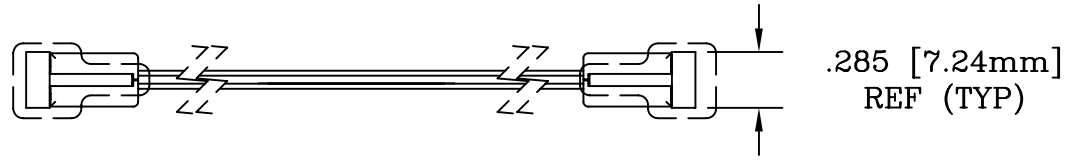


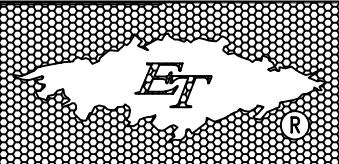
TABLE 1  
SIGNAL MAPPING

J1 POS	J2 POS
1	1
2	2
3	3
4	4
5	5
.....	.....
96	96
97	97
98	98
99	99
100	100



UNLESS OTHERWISE SPECIFIED:  
DIMENSIONS ARE IN INCHES  
(ALTERNATE) DIMENSIONS ARE IN mm  
TOLERANCES:  
ANGLES: ±  
FRACTIONS: ±1/64  
DECIMALS:  
.XX ±.010  
.XXX ±.005  
.XXXX ±.0005

ALL DIMENSIONS ARE IN INCHES UNLESS OTHERWISE SPECIFIED



**Emulation Technology, Inc.**  
— VLSI and SMT ADAPTERS and ACCESSORIES —  
2344 Walsh Avenue, Bldg.F Santa Clara, Ca 95051  
TEL:(408)982-0660 FAX:(408)982-0664

SHEET: 1 OF 1	DATE: 10/15/04	REVISION: A	<b>ASSEMBLY DRAWING</b>
CHECKED: Perry Munroe	DRAWN: Huy Nguyen	ITEM: SAM100CABLEFF6	
Scale N/A DO NOT SCALE DRAWING			DESCRIPTION: SAM-100-CABLE-FF-6