

3R-250

250Watt Mountable Non-Inductive,
High Frequency Resistors



3R Lab

Motor Controls, High Energy, RF, High Voltage, Inverters, Pulse & Plasma, Non-Inductive Powers

3R-250 Non-Inductive design these elements are ideally suited for high frequency and pulse load applications. By direct mounting on a heatsink significant cost advantages can be realized for power Application from 100w to 500w. 3R-250 can be supplied in a 2-terminal or 4-terminal version Double or 3- fold resistors are available. Main applications are Variable speed Drives, ship, train, RF Termination, Power Supplies, Control Devices, Telecom, Robotics, Motor Controls Dynamic Braking, and other switching designs.

3R-250 Non-Inductive 250Watt Mountable, High Frequency Resistors

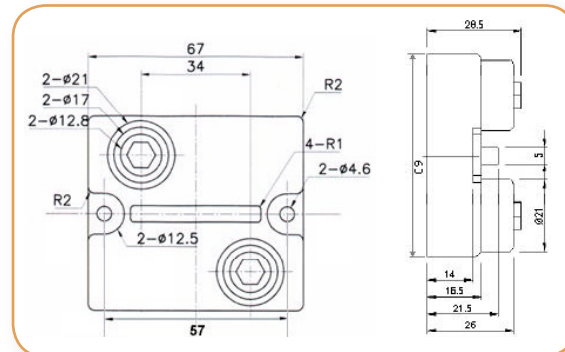
- Heat Sink Mountable with M4 Screw
- RF Terminal
- Shunt
- Inverter
- Motor Braking
- Pulse & Plasma



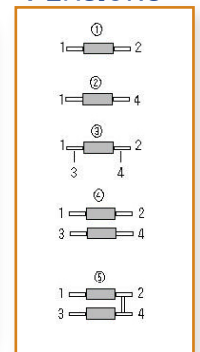
SPECIFICATIONS

- Resistance Values :** 1.0W to 2.0MW others on request
- Resistance Tolerance :** $\pm 10\%$ Std. ,1%,2%,5% available on request.
- Temperature Coefficient :** $\pm 100\text{ppm}/^\circ\text{C}$ typ. (others upon request)
- Maximum Working Voltage :** 5,000V DC, higher voltage on request, not exceeding max. power
- Single Shot Voltage :** Up to 12kV Normwave (1.5/50 msec)
- Insulation Resistance :** 10GW min. at 500V
- Creeping Distance :** 42mm min.
- Inductance :** ≤ 50 nH
- Capacity/Ground :** $\leq 110\text{pF}$
- Capacity/Resistive :** $\leq 40\text{pF}$
- Operation Temperature :** -55°C to $+155^\circ\text{C}$
- Max. Torque for Contacts :** 2 Nm
- Max. Torque for Mounting :** 1.8 Nm
- Power Rating :** 250W at 50°C Tap Temperature
- Higher power :** 600Watt at 5°C Tap Temperature
- Dielectric Strength :** Up to 12 KV
- Termination to Contacts :** M5 Screws
- Required thermal transfer compound of-heat conductivity :** $1 \text{ W}/^\circ\text{C}$
- Flatness of Heat Sink :** $\leq 0.05\text{mm}$
- Roughness of the Heatsink surface :** $\leq 6.4\text{mm}$.
- Isolation Voltage(Terminal to Heatsink) :** 7k Vrms

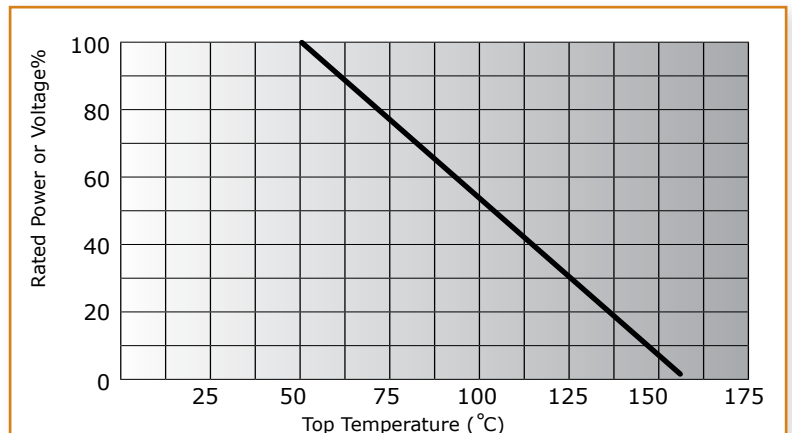
DIEMENSION



VERSIONS



DERATING CURVE



cf.: The described specifications & dimensions subject to change without notice.



#604 Hyundai I-Valley ,14-1 Dang-dong , Kunpo City, Kyunggido, Korea

voice +82-31-429-6379 fax +82-31-429-9127

resistors@3rlab.com www.3RLab.com

2007©3RLab,Inc.

designed by jonaldo , France

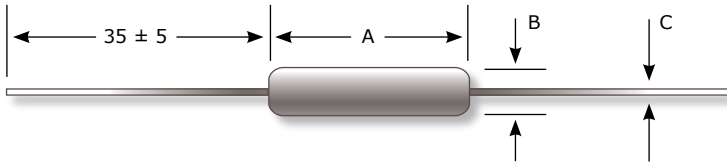
3R-250

250Watt Mountable Non-Inductive,
High Frequency Resistors

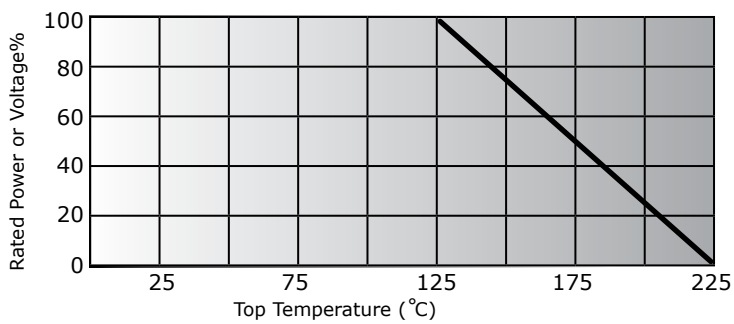


3R Lab

DIMENSIONS [mm]



DERATING CURVE



#604 Hyundai I-Valley, 14-1 Dang-dong, Kungpo City, Kyunggido, Korea

voice +82-31-429-6379 fax +82-31-429-9127

resistors@3rlab.com www.3RLab.com

2007©3RLab, Inc.

designed by jonaldo, France