

USER'S MANUAL

10KSS6050/5060

3rd Edition

Frequency Converter

Visicomm Industries LLC
911A Milwaukee Ave.
Burlington, WI 53105

1. INTRODUCTION

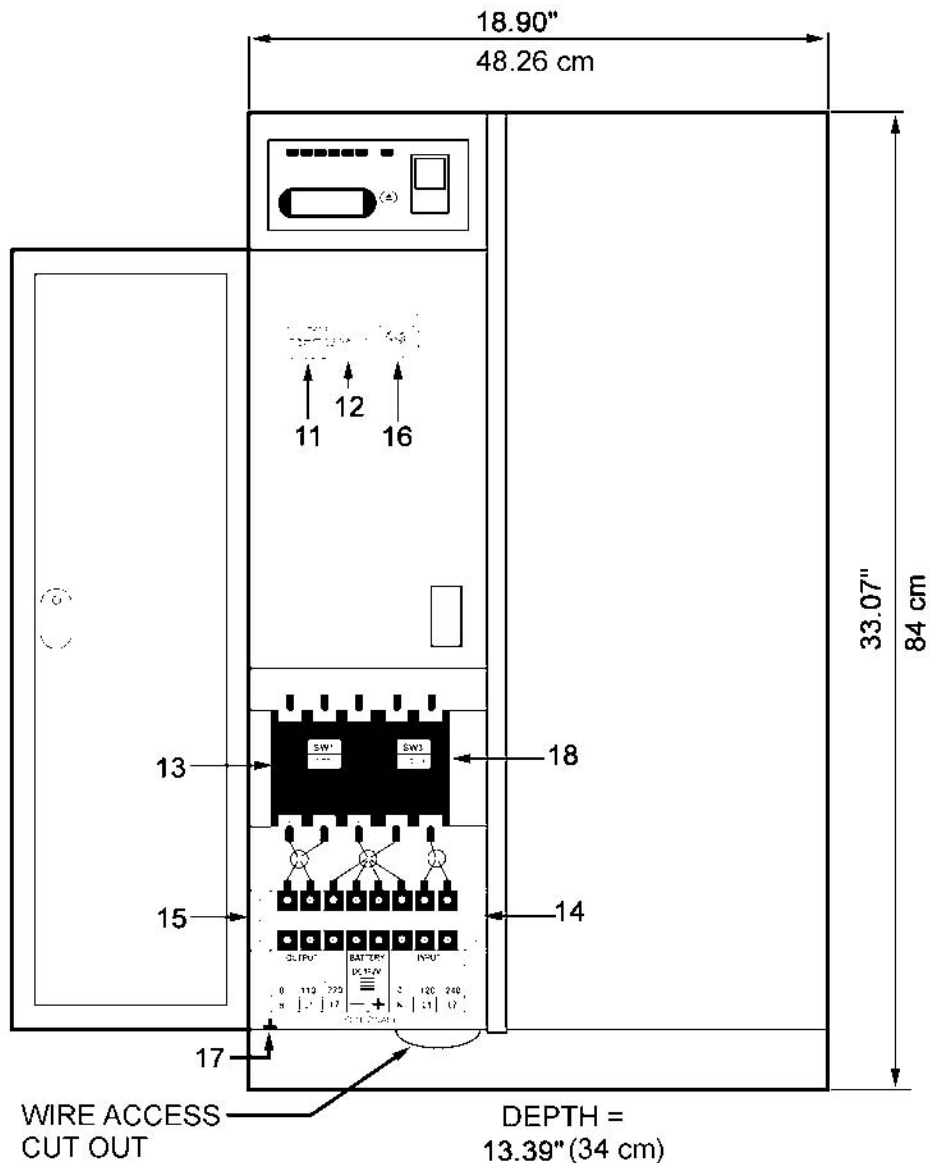
The conversion of electrical power is an essential requirement for export testing or operation of equipment brought to the U.S. from abroad. The KSS series Frequency Converter is designed to meet these needs as it supplies reliable, pure and stable power at an affordable price.

This Converter is designed with the following unique features

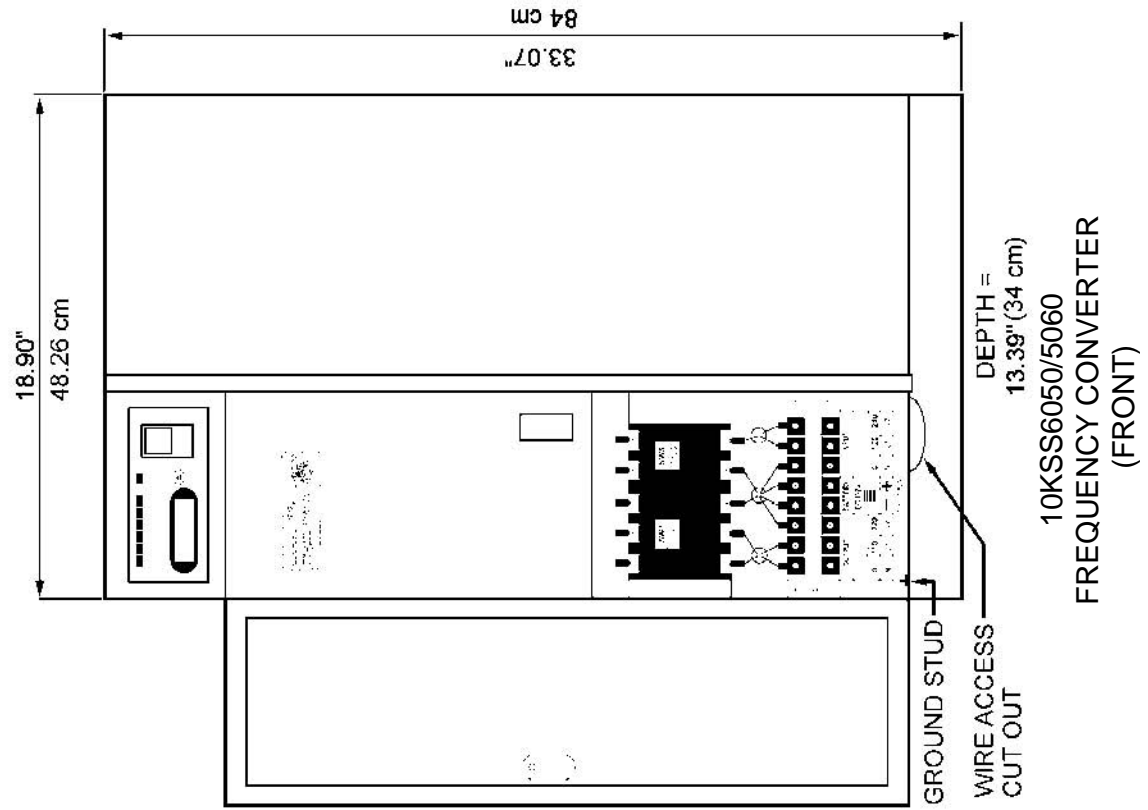
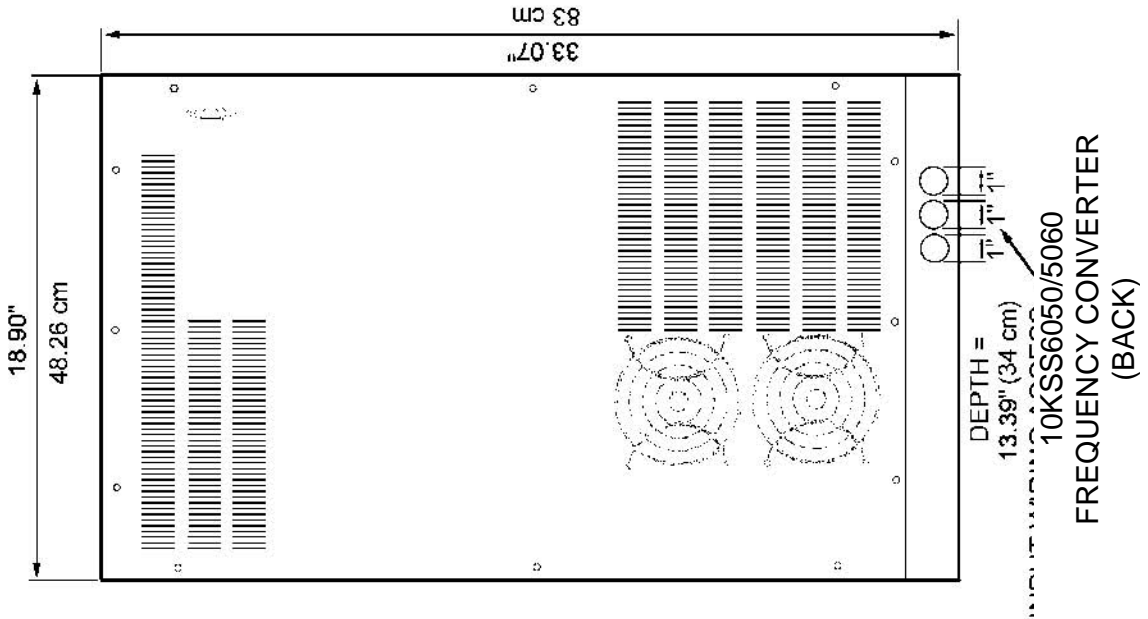
- Double Conversion IGBT module, Single control board design, eliminates adjustment, and minimizes maintenance.
- LCD display for unit status, user friendly design
- Special overload capacity design, 150% overload for 30 sec.
- Built-in isolation transformer to ensure total isolation between the input and output.
- Special airflow control to avoid dust accumulation. Suitable for rough operating environments.
- Front door access for ease of installation and servicing.
- Compact size, light weight

2 - FRONT PANEL

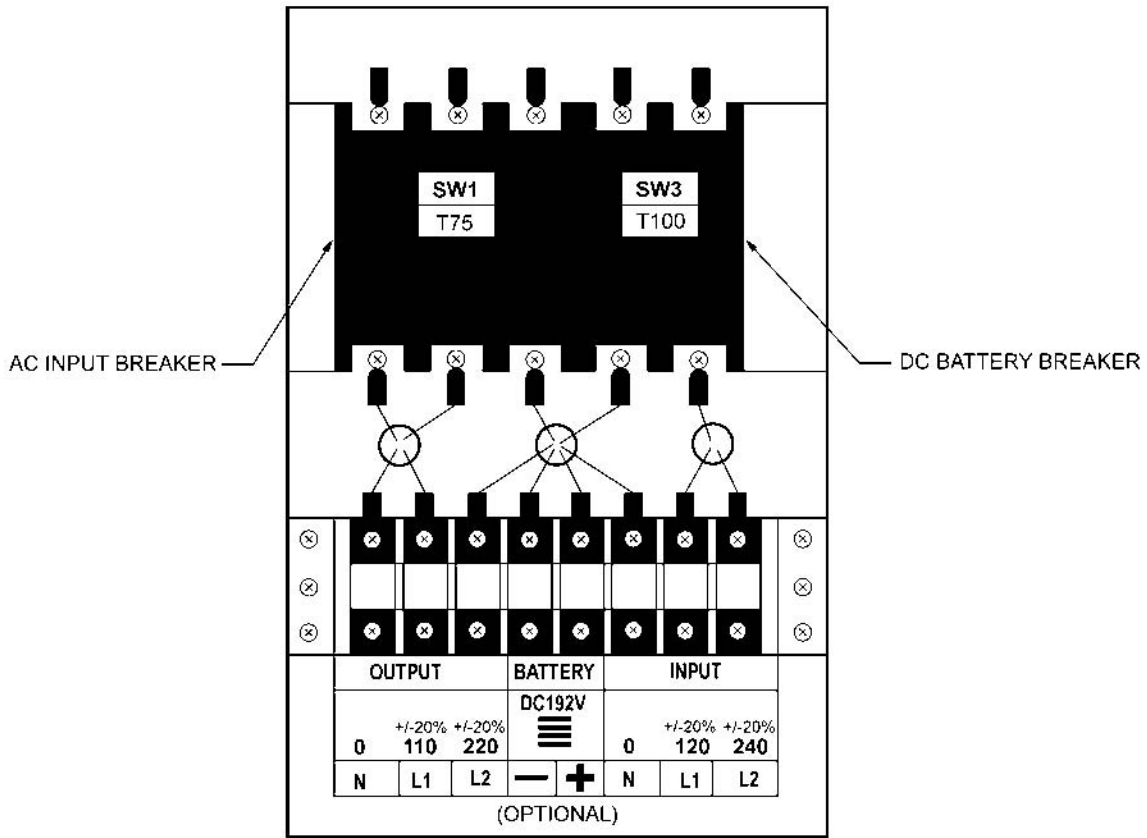
11. LCD display selector switch
12. Frequency selector switch
13. Main input breaker (SW1): Controls the AC commercial power, in addition this breaker trips if the output power is subject to a dead short.
14. Input terminal: The input power leads will be connected to the terminal block. Either 120VAC range or 220VAC range (See Spec Sheet).
15. Output terminal: 2 ranges 120VAC L-N, 240VAC L-N (See Spec Sheet).
16. Output voltage adjustment potentiometer
17. Ground terminal
18. Battery Breaker



10KSS6050/5060
FREQUENCY CONVERTER
(FRONT)



3 - INPUT - OUTPUT CONNECTIONS



IMPORTANT NOTE!
 This is NOT a split phase input.
 If using a U.S. 220VAC Input with no neutral,
 connect one hot lead to neutral (N)
 and one hot lead to L2.

Input Power Connections and Grounding

System Ground Connection:

The Earth Ground should be provided by the utility. This is normally the “GREEN” wire provided by the utility which at some point is routed to a secure earth ground such as a water pipe. This wire should be connected to the screw post marked GND on the Converter (See photo for location).

Note that there are no internal electrical connections to this wire with the exception of a small high frequency bypass capacitor for RF suppression. Therefore, the function of the Earth Ground is simply to maintain the case of the Converter at ground potential. Visicomm Industries (LLC) does not recommend any other connection to the Earth Ground wire which may introduce significant amounts of current and thereby defeat the intended purpose of this wire which is the safety of the operating personnel. In particular, do not connect this wire to the system neutral wire at any point.

Output Connection:

The Power OUTPUT Connections are provided by three barrier terminal posts labeled N, L1, and L2. These three terminals constitute the three terminals of an internal auto-transformer where L1 is the “center tap”. This is fed by the output winding of a switching transformer. Since the only other internal connections are a resonating capacitor, the cooling fans, and sensing circuits (to maintain an output sine wave), these output terminals are electrically isolated from any other circuits including the system neutral.

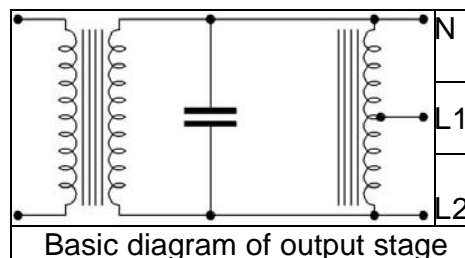
The Converter is shipped with these OUTPUT connections electrically isolated. If a digital voltmeter is connected between any one of these OUTPUT terminals and the Earth Ground, a significant voltage reading will be obtained. This voltage is due to a small leakage current and is not considered a problem since only 1 or 2 ma is involved.

Output Isolation:

Many applications require an **isolated output**, primarily for safety reasons, when supplying power to a device under test especially if there will be other monitoring equipment connected to the device. Other applications can take advantage of the low leakage current of the Converter (about 1 or 2 ma). This can be useful in systems where the individual leakage currents of the components might exceed the allowed leakage current of a ground fault interrupter.

Other applications require that the **output have a connection to the utility NEUTRAL**. Normally this would be OUTPUT terminal N (The exception would be a two phase output where L1 would be the connection to the system NEUTRAL). The Converter is supplied with a short jumper wire. If the system NEUTRAL is used to power the INPUT terminals and it is required that the OUTPUT be connected to NEUTRAL this jumper can be employed to make this connection.

If the INPUT is supplied by two phase AC or by two phases of a three phase system (in other words, if you have only two incoming power wires), this NEUTRAL would not be present and an external wire from the desired OUTPUT terminal to the system NEUTRAL would be required. See INPUT CONNECTION DIAGRAM on next page.



3.1 - INPUT POWER CONNECTIONS

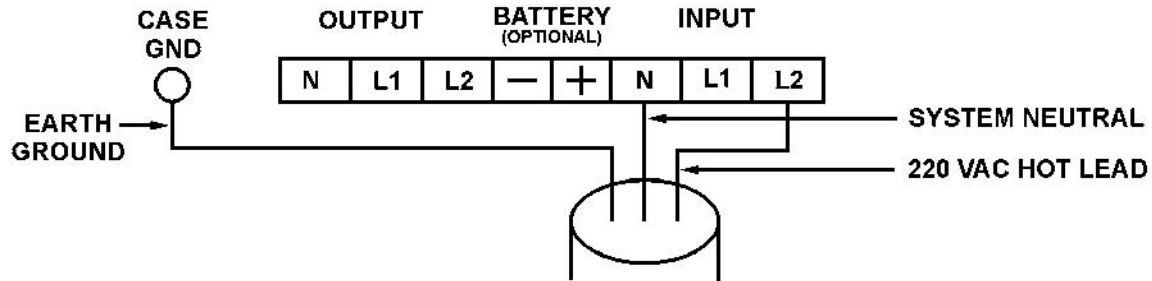
The frequency of the input power can be 50 or 60 Hz, and is not related to the output frequency

CAUTION:

The Input is Electrically Isolated from the output.
It is necessary to connect the input using one of the following four methods.

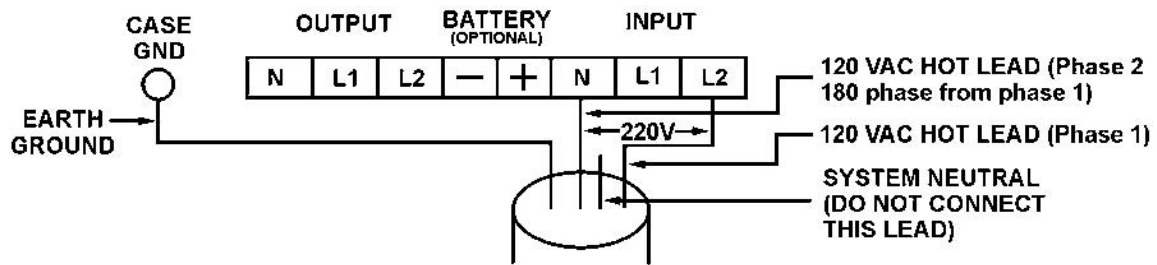
A. SINGLE PHASE 220V INPUT

This connection is usually used in 50Hz countries where a neutral is normally available.

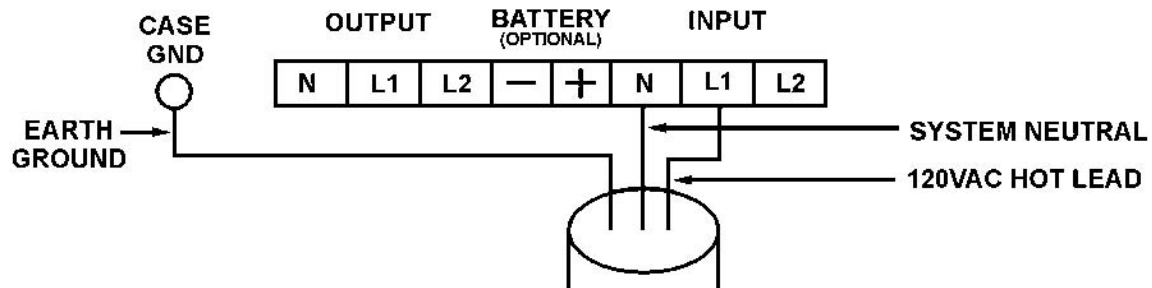


B. SPLIT PHASE 220V INPUT

This connection is usually used in 60Hz countries where a 220V line is not normally available, and where the input amperage makes using 120V inconvenient.

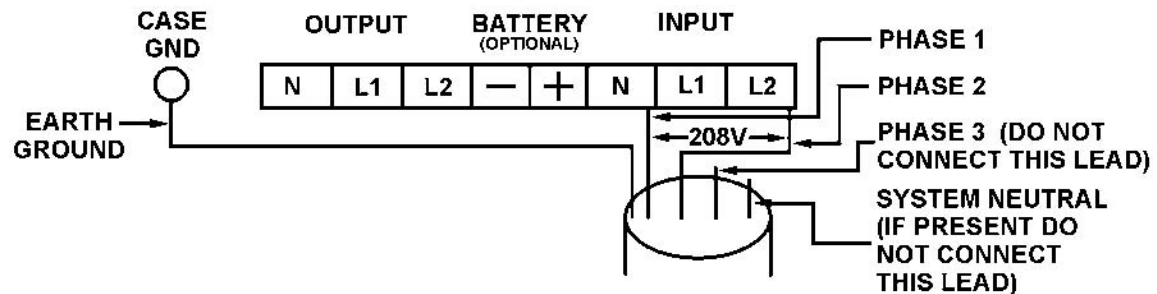


C. SINGLE PHASE 120V INPUT



D. THREE PHASE 120/208 VAC USING LINE TO LINE INPUT

To be used if the 120V line to neutral connection is limited by the amperage available.



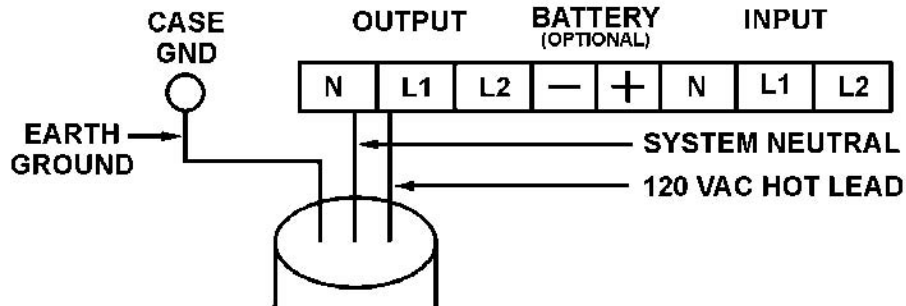
3.2 - OUTPUT POWER CONNECTIONS

The frequency of the output power is 50 or 60 Hz, and is not related to the input frequency

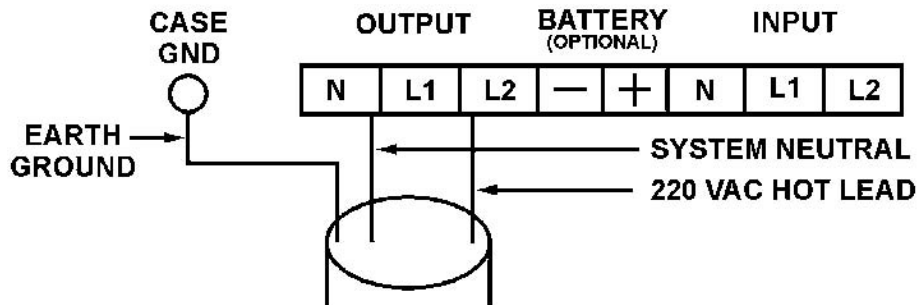
CAUTION:

The output is "floating" and is electrically isolated from the input.
It is necessary to connect the output using one of the following three methods.
Note that these output voltages are widely adjustable using the voltage adjust rheostat.

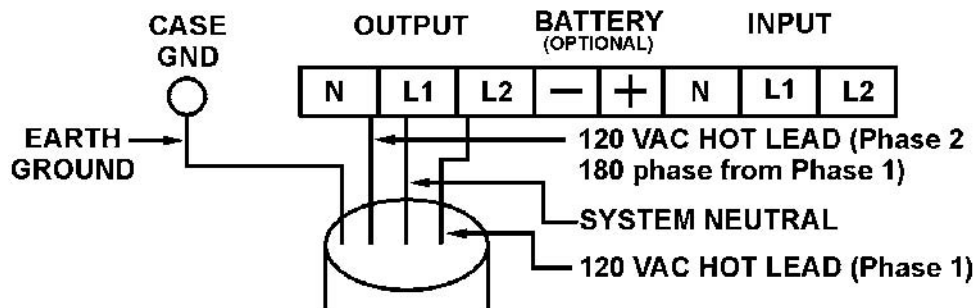
A. SINGLE PHASE 120V OUTPUT



B. SINGLE PHASE 220V OUTPUT



C. SPLIT PHASE 220V OUTPUT



4. SPECIFICATION

Model	10KSS6050/5060	
Capacity	10KVA/8KW	
Input	Voltage	120 or 220VAC -15%/+20%
	Frequency	50 Hz or 60 Hz \pm 5%
Output	Voltage	120 or 220VAC \pm 20 % (adjustable)
	Frequency	400Hz (50 Hz or 60 Hz available)
	Voltage Regulation	\pm 1 %
	Frequency Stability	\pm 0.0004% with xtal oscillator
	Transient Response	\pm 3% (100% Load variation) No load to full load with full recovery within 5 cycles
	Waveform	Sinewave THD < 3% at 0-100% linear load
	Overload Capacity	110% continuous, 110-150% load 30 seconds, over 150% causes unit to shut down. Auto restart upon removal of the overload
Power Factor	0.8	
Crest Ratio	3:1	
Efficiency	AC to AC	> 85%
Protection	Overload	150% 30sec cut off (Current Limited)
	Short Circuit	Unit will cut-off and must be manually restarted
	EMI Filter	10-100KHz at 40dB, 100KHz-100MHz at 70dB
Audible Alarm	Overload	Sounds continuously
	Fault	Sounds continuously
Indicators	LCD	Converter status, I/P & O/P voltage, I/P & O/P frequency
	LED	Line: Green LED Inverter: Green LED Fault: Red LED Overload: Yellow LED
Environment	Operation Temp.	-10°C to 50°C; 14°F to 122°F
	Relative Humidity	20-90% non-condensing
	Audible Noise	Less than 58dB (at 1 meter)
Physical Dimensions	Input	Terminal Block
	Output	Terminal Block (Worldwide outlets available)
	Net Weight	366lbs / 165kg
	Width	18.90" / 48cm
	Depth	13.39" / 34cm
	Height	30.77" / 84cm