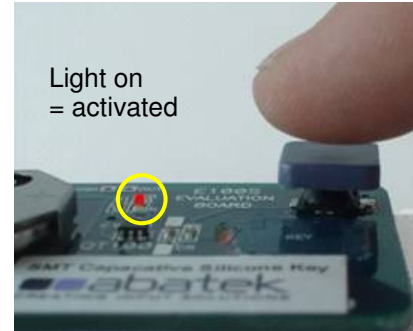


**A
TOUCH
BETTER**

CAPACITIVE SMT SILICONE KEY



SMT Capacitive Silicone Key
(Customized, Long stroke)
Delivered on Tape and Reel



Activate LED's or other devices/functions with „no touch“. SMT Capacitive Silicone Key with plastic cap

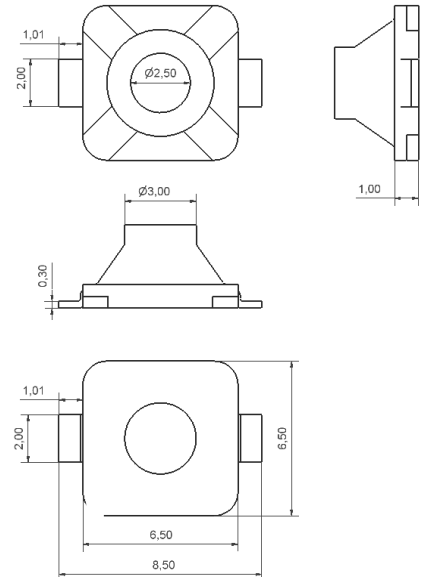
Short Description

One Key = Double Functions

- Capacitive system with tactile long stroke
- Conductive/capacitive connector (silicone as conductive spring)
- Automated assembly SMT
- Easy and fast ordering without a drawing

Advantages

- **Capacitive System**
- 2 Functions in one key
- Customized long stroke keys
- Fully automated SMT assembly
- Easy ordering of 50 customized prototypes with code through internet (no drawing).
<http://smt.abatekgroup.com>
- More than 1 million customization options
- **Get customized prototypes in 7 days.**
- Easily optimize design / assembly with customized prototypes (glue / hand solder)
- **No tooling cost**



Dimensions of customized prototypes
(Serial parts in any dimensions and shape)

Key Tech. Data

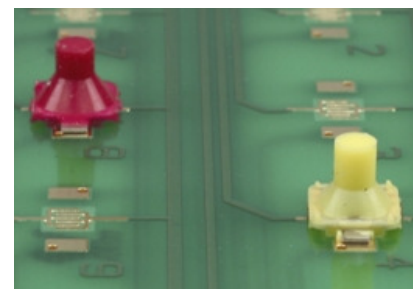
Contact resistance [Ω]
Key height [mm]
Stroke [mm]
Actuating force [N]
Snap [%]

- 1.5 or 100 or none
- 4.0 – 6.0 (in 0.1 mm increments)
- 0.8 – 1.7 (in 0.1 mm increments)
- 0.5 – 4.0 (in 0.1N increments)
- 10 – 70 or none, (in 5% steps)

Configuration on website possible
SMT Capacitive Silicone Key only in black available

Possible Applications

- Stand by / Sleep & Wake up functions for Consumer- & White Goods
- Automotive / Computing



SMT Silicone Key on PCB