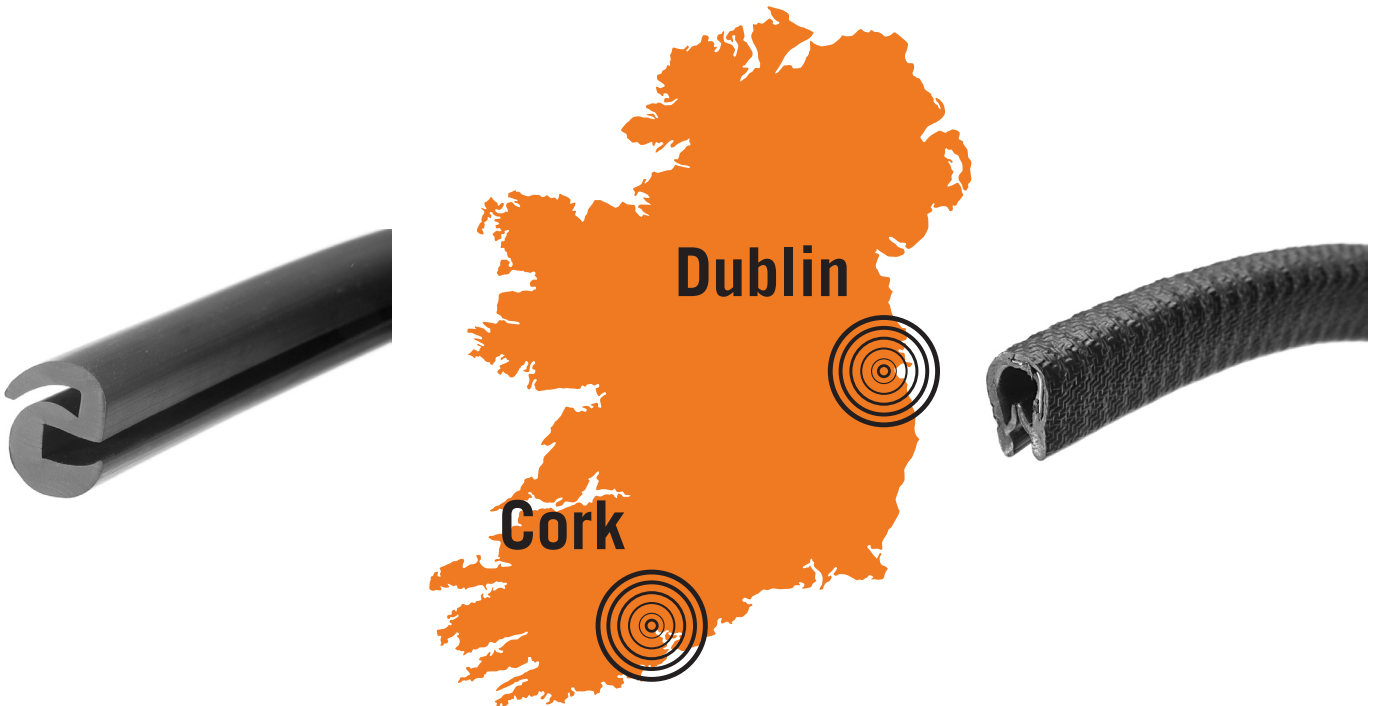


# Extrusions Brochure





Abbey Seals International Ltd stock **only the best** extrusion manufacturers.

These profiles are used in a wide range of industries including agriculture, automotive, glass & glazing, windscreen replacement, construction, engineering & transportation.

Our range includes flexible self grip, caravan window seals and glazing seals, all available in a variety of profiles and lengths.

■ **DUBLIN**

John F. Kennedy Rd      **T:** +353 (0)1 427 7900  
 John F. Kennedy Ind Est      **F:** +353 (0)1 450 8181  
 Dublin D12 PD36      **E:** dublin@abbeyseals.ie  
 Ireland      **W:** www.abbeyseals.ie

■ **CORK**

31b Euro Business Park      **T:** +353 (0)21 500 3555  
 Little Island      **F:** +353 (0)21 500 3554  
 Cork T45 X310      **E:** cork@abbeyseals.ie  
 Ireland      **W:** www.abbeyseals.ie



### NR – Natural Rubber

A material with excellent physical properties, natural rubber has good abrasion and low temperature resistance, however it is not resistant to oils, fuels or UV exposure.

Temperature range: -60°C to +75°C  
Hardness Shore A: 50°C to 80°C

### EPDM – Ethylene Propylene Diene Monomer

This is a material with good physical properties that include excellent resistance to UV, many chemicals, steam and ageing. It is not, however, compatible with oils or fuels.

Temperature range: -50°C to + 130°C  
Hardness Shore A: 50°C to 80°C

### CRN

#### Eoprene – Polychloroprene Rubber

Chloroprene rubber is fairly resilient when in contact with oils and chemicals, but has exceptional resistance to UV. This material also has excellent flame retardation qualities.

Temperature range: -40°C to +95°C  
Hardness Shore A: 50°C to 80°C

#### NBR Nitrile – Acrylonitrilebutadiene Rubber

A material with exceptional resistance to oils and good resistance to fuels, but is not suitable for applications with prolonged exposure to UV.

Temperature range: -20°C to +100°C  
Hardness Shore A: 50°C to 80°C

### PVC

PVC is an excellent material for use when chemical and UV resilience is required. It also has good physical characteristics including resistance to corrosion.

Temperature range: -20°C to +40°C

### TPR – Thermoplastic Rubber

This material has excellent UV and temperature properties, and has reasonable resistance to oils and fuels.

Temperature range: -20°C to +60°C

### SI – Silicone

This material has little resistance to fuels, however has excellent physical properties including temperature, UV, oils and chemical resistance.

Temperature range: -60°C to +200°C  
Hardness Shore A: 30°C to +70°C

### SBR – Styrene Butadiene Rubber

SBR has good physical characteristics including resistance to wear and abrasion, but is not recommended where contact with oils, fuels or high levels of UV are likely.

Temperature range: -55°C to +85°C  
Hardness Shore A: 60°C to +70°C

### FPM – Viton

FPM has excellent all round properties including resistance to high temperature, chemicals, oils and fuels.

Temperature range: -20°C to +200°C  
Hardness Shore A: 70°C to 80°C

### Polyurethane – PU

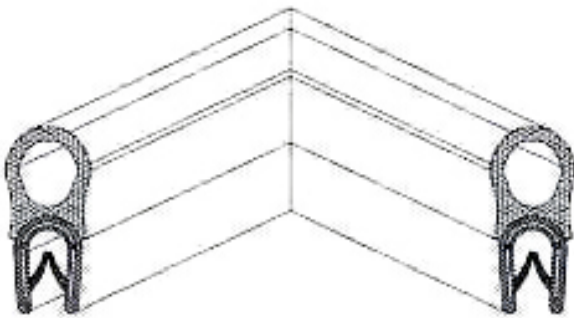
Polyurethane is a material with high levels of flexibility and elasticity. With good resistance to abrasion, it is also effective when in contact with high temperature and oils.

Temperature range: -30°C to +85°C

# Flexible Self Grip Sealing Profiles

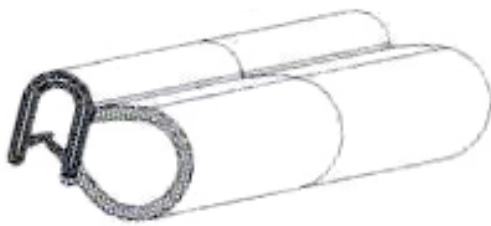
Sealing profiles are a combination of PVC edge protectors with bonded sponge rubber profiles or a co-extrusion of solid and sponge rubber. These profiles have a dual function; they cover sharp or unfinished edges and also offer a sealing function.

The sponge rubber tubes are extremely flexible and are suitable for sealing doors, hatches and numerous other applications. The assembly is similar to edge protectors.



## Manufacturing Tolerances

Soft Rubber	DIN ISO 3302-1 E2
Sponge Rubber	DIN ISO 3302-1E3
Soft PVC	DIN 16941 3B
Custom Lengths	DIN ISO3302-1 L3/16941-4B



Sealing profiles as a combination between PVC edge trim and sponge rubber can have up to two glued joints.

All profiles shown on the following pages are available in custom lengths, frames or rings.

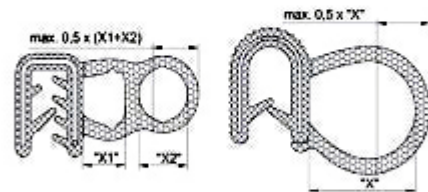
Other colours and qualities such as food compatible, flame resistant or self-extinguishing qualities are available upon request.

## Application for the edge protectors

Edge protection profiles simplify the finishing of edges. They eliminate the preparatory and follow-up work and a cover sheet metal edges. Furthermore, their decorative effect is often desired.

The edge protectors consist of a U-shaped metal base, either a steel strip or wire carrier, jacketed with PVC or rubber. These guarantee a tight grip on the edge, even if radii or bends have to be converted. In some of these profiles, the clamping effect is heightened by PVC lips incorporated into the PVC jackets.

The edge protectors are pressed onto the edge by hand or with a rubber or thermoplastic hammer. Glues or special attachment aids are not required, installation is simple and quick.

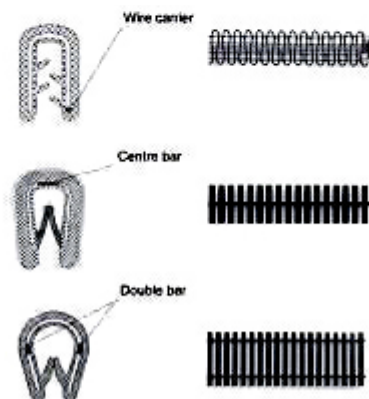


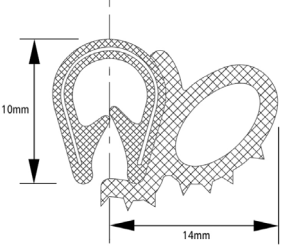
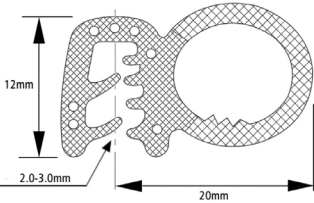
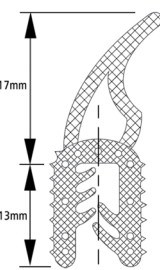
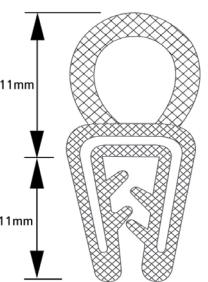
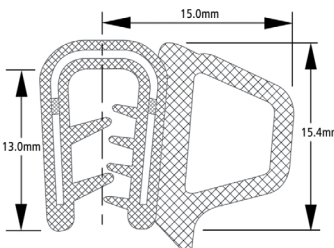
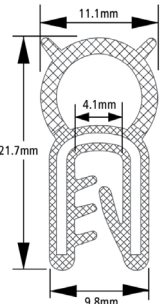
## Manufacturing Tolerances

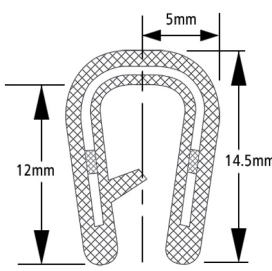
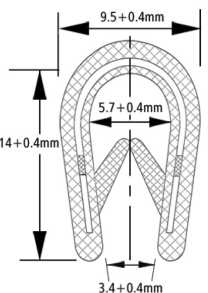
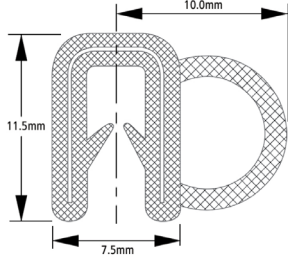
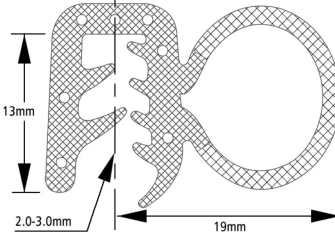
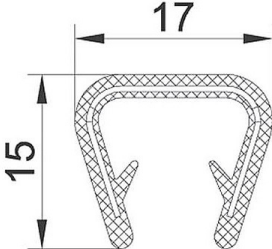
PVC according to DIN 16941  
Tolerances of custom length based upon DIN 16941 4B

## Compression recommended for sealing edge protection profiles

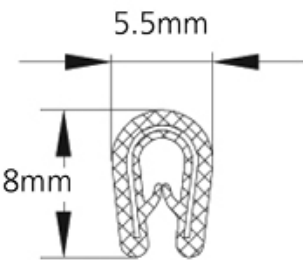
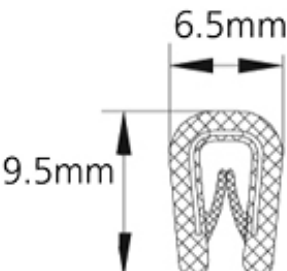
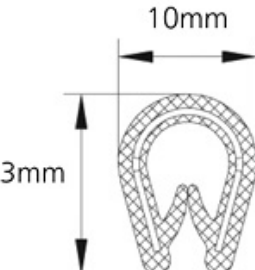
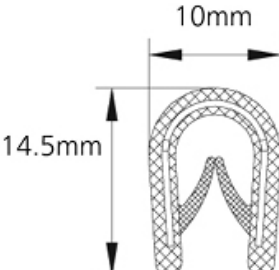
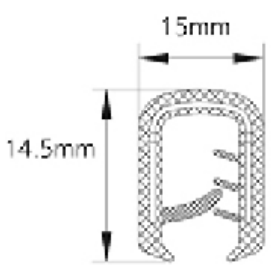
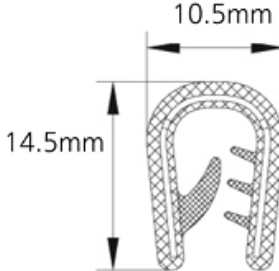
The compression of our sealing edge protection profile should have a maximum of 50% as otherwise the compactness, and the restoring force are affected. In practice, the profile should be compressed 30-40%

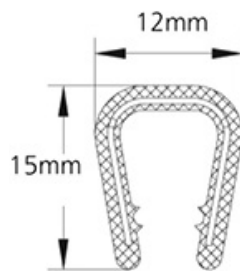
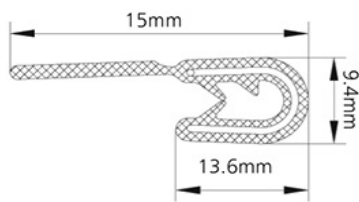
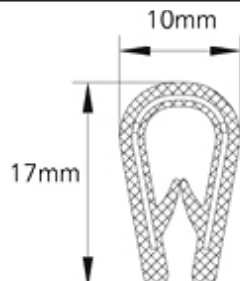
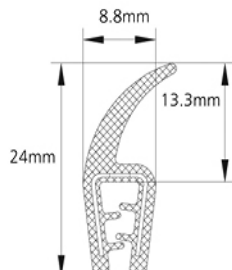
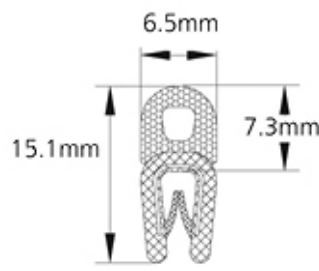
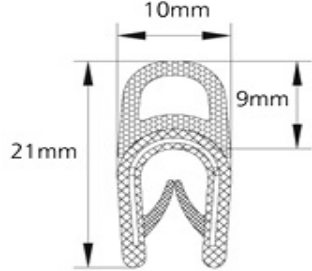


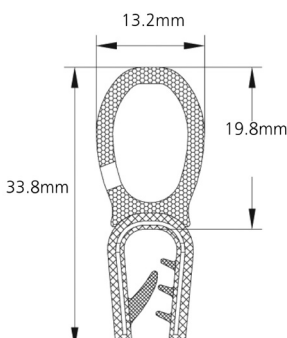
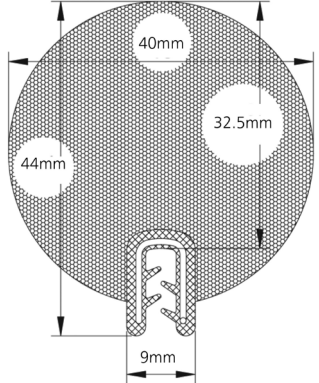
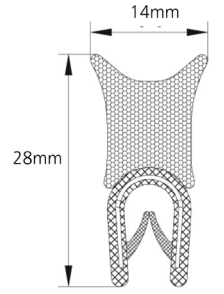
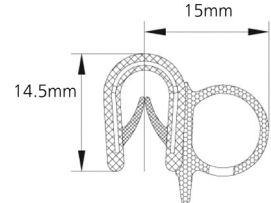
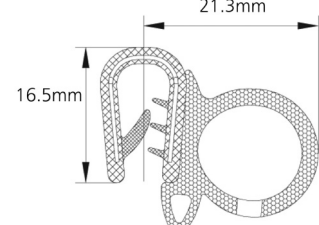
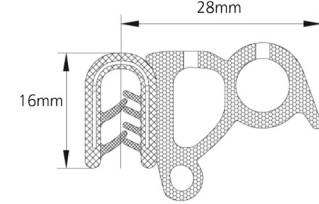
Flexible Self Grip	Ref.	Panel Gauge mm
	EXT 101	1.0 - 2.0
	EXT 102	2.0 - 4.0
	EXT 103	2.0 - 3.0
	EXT 104	1.0 - 3.0
	EXT 105	2.0 - 4.0
	EXT 106	1.0 - 3.0

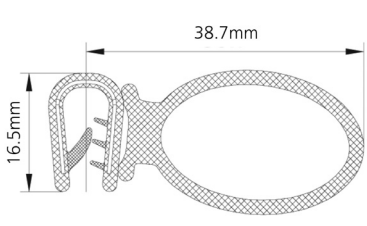
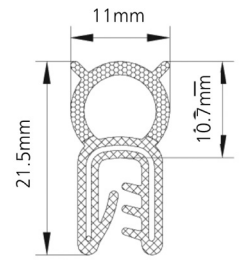
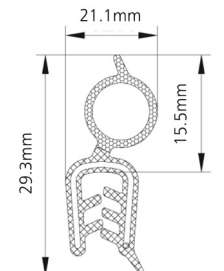
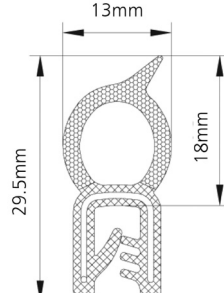
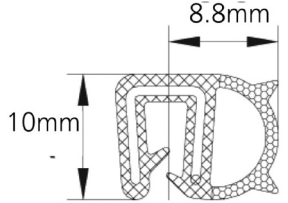
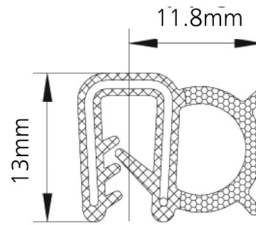
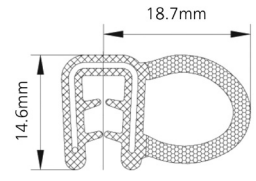
Flexible Self Grip	Ref.	Panel Gauge mm
	EXT 107	3.0 - 5.0
	EXT 108	1.0 - 3.0
	EXT 109	1.0 - 3.0
	EXT 110	2.0 - 4.0
	EXT 111	10.0 - 12.0

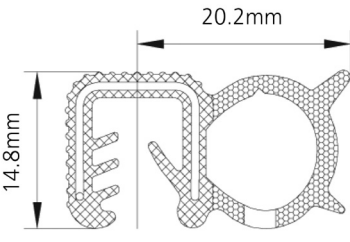
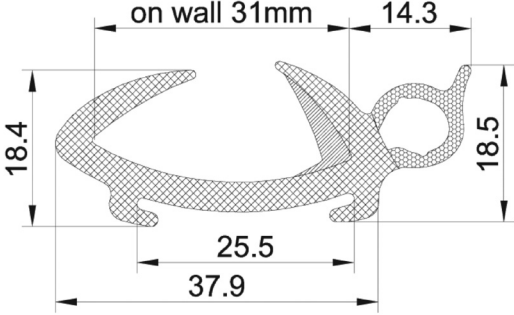
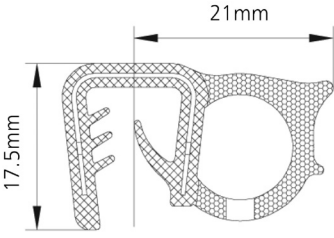
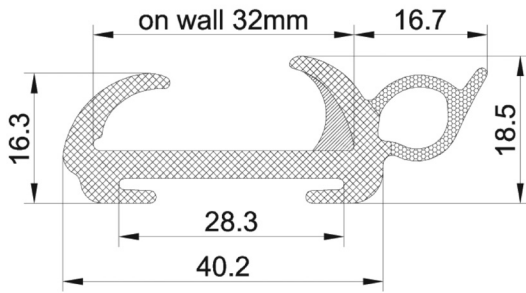
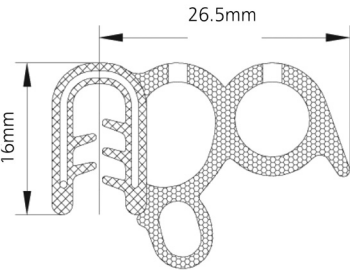
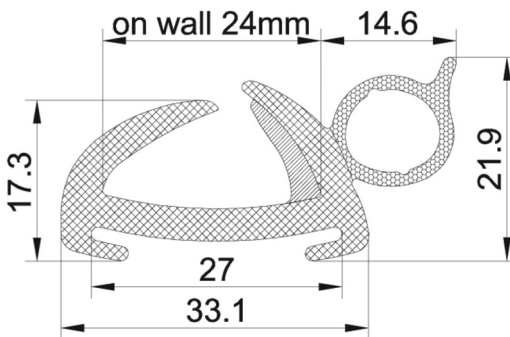
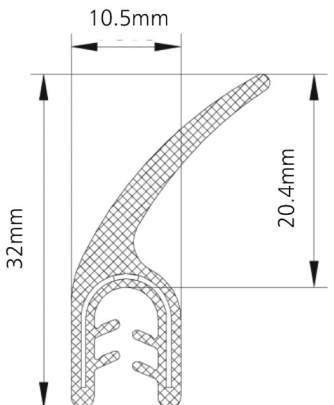
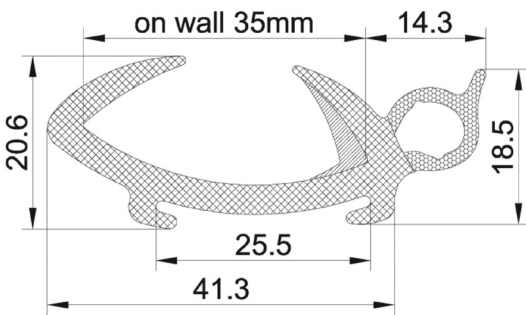
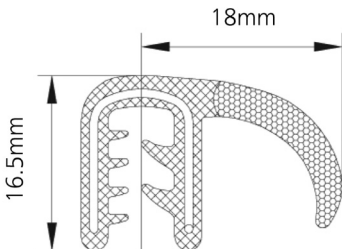


Flexible Self Grip	Ref.	Panel Gauge mm
	EXT 112	0.8 - 1.5
	EXT 113	1.0 - 1.5
	EXT 114	1.0 - 4.0
	EXT 115	1.0 - 4.0
	EXT 116	2.0 - 5.0
	EXT 117	2.0 - 5.0


Flexible Self Grip	Ref.	Panel Gauge mm
	EXT 118	6.0 - 8.0
	EXT 119	1.0 - 3.0
	EXT 120	1.0 - 4.0
	EXT 121	0.5 - 3.0
	EXT 122	1.0 - 2.0
	EXT 123	1.0 - 4.0

Flexible Self Grip	Ref.	Panel Gauge mm
	EXT 124	1.0 - 2.5
	EXT 125	1.0 - 3.0
	EXT 126	1.0 - 4.0
	EXT 127	1.0 - 3.0
	EXT 128	2.5 - 4.0
	EXT 129	2.5 - 4.0

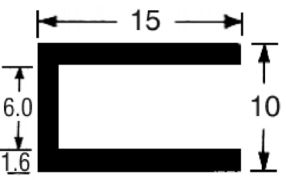
Flexible Self Grip	Ref.	Panel Gauge mm
	EXT 130	3.0
	EXT 131	1.0 - 3.0
	EXT 132	1.0 - 3.0
	EXT 133	1.0 - 3.0
	EXT 134	1.0 - 2.0
	EXT 135	1.0 - 2.0
	EXT 136	1.5 - 3.0

Flexible Self Grip	Ref.	Panel Gauge mm	Caravan Window Seals	Ref.
	EXT 137	4.0 - 6.0		EXT 142
	EXT 138	4.0 - 6.0		EXT 143
	EXT 139	1.5 - 3.5		EXT 144
	EXT 140	1.0 - 3.0		EXT 145
	EXT 141	2.0 - 3.0		

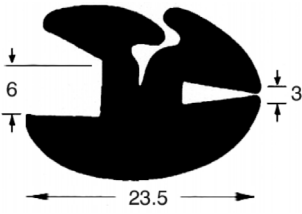
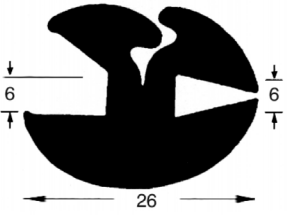
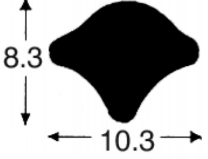


Bead Profiles	Ref.	Bead Dia. mm	Flange Width mm
	EXT 146	8	5.5

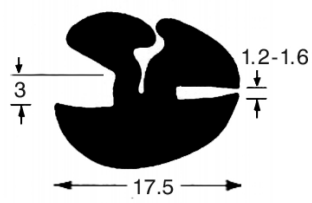
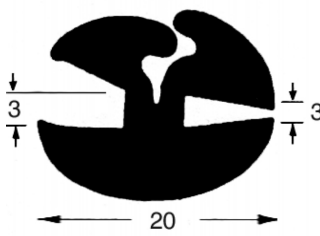
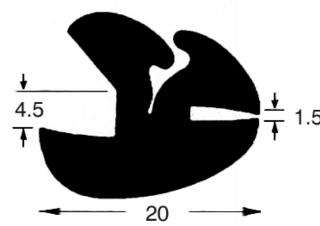
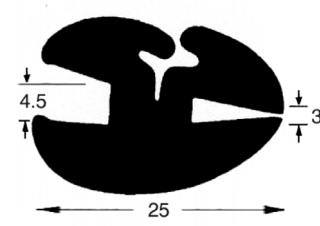
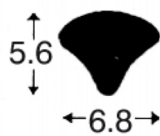
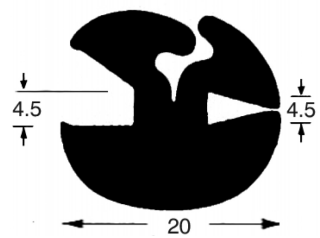
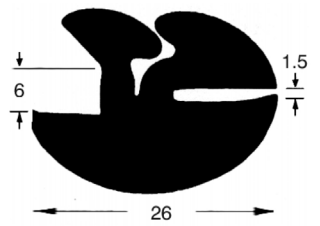
  

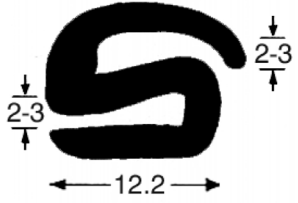
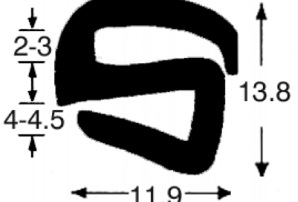
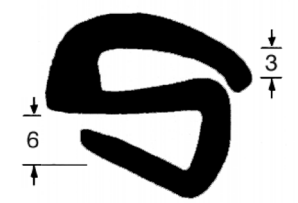
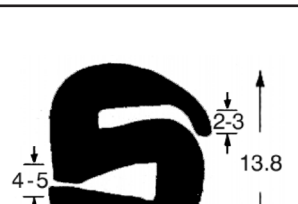

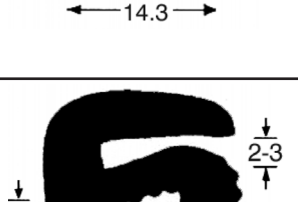
Square U Channels	Ref.	Glass Gauge mm	Panel Gauge mm
	EXT 147	-	-

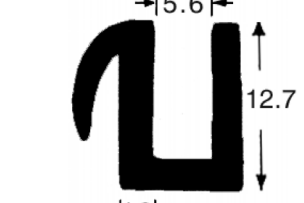
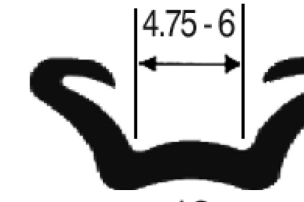
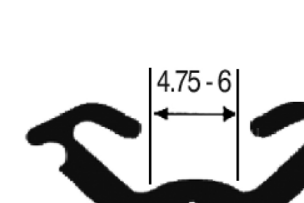
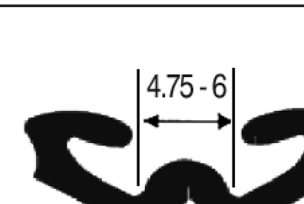
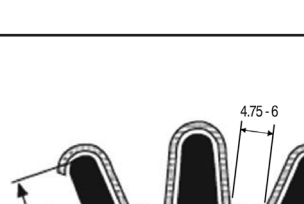
  

Glazing Seals	Ref.	Glass Gauge mm	Panel Gauge mm
	EXT 148	6	2.6 - 3.2
	EXT 149	6	6
 Also Available in Chrome	EXT 150	-	-

Glazing Seals	Ref.	Glass Gauge mm	Panel Gauge mm
	EXT 151	3	1.2 - 1.6
	EXT 152	3	3
	EXT 153	4.5	1.2 - 1.6
	EXT 154	4.5	3
	EXT 155	-	-
	EXT 156	4.5	4.5
	EXT 157	6	1.2 - 1.6

Glazing Seals	Ref.	Glass Gauge mm	Panel Gauge mm
	EXT 158 3mm	2-3	2-3
	EXT 159 4.5mm	4 - 4.5	2-3
 BRS 254-6	EXT 160 6mm	5-6	2.5 - 3.5
	EXT 161 4.5mm	4.5	2-3
	EXT 162 6mm	5-6	2-3
	EXT 163	6-8	2-3

Glazing Seals	Ref.	Glass Gauge mm
	EXT 164 6mm	5-6
	EXT 165	4.75 - 6.0
	EXT 166	4.75 - 6.0
	EXT 167	4.75 - 6.0
	EXT 168	4.75 - 6.0



Typical Coach Seal,  
Available as Special Order

Abbey Seals International Ltd is Ireland's premier manufacturer and distributor of seals and gaskets. Established in 1983, Abbey Seals is an Irish owned, family run business with offices in Dublin and Cork.

With over 40,000 different sizes and materials in stock including O-rings, gaskets, hydraulic and pneumatic seals, rotary shaft oil seals, industrial strength adhesives, extrusions, sheeting and much more. We aim to ensure that we have the product you need delivered to you quickly and at a competitive price.

Our in-house manufacturing service, Abbey Seals Xpress, provides same-day production on seals and gaskets with no tooling charges. We are the only company in the country offering such an expedient service. It is yet another statement of our commitment to quality, service & innovation.



**DUBLIN**

John F. Kennedy Rd  
 John F. Kennedy Ind Est  
 Dublin D12 PD36  
 Ireland

**T:** +353 (0)1 427 7900  
**F:** +353 (0)1 450 8181  
**E:** [dublin@abbeyseals.ie](mailto:dublin@abbeyseals.ie)  
**W:** [www.abbeyseals.ie](http://www.abbeyseals.ie)

**CORK**

31b Euro Business Park  
 Little Island  
 Cork T45 X310  
 Ireland

**T:** +353 (0)21 500 3555  
**F:** +353 (0)21 500 3554  
**E:** [cork@abbeyseals.ie](mailto:cork@abbeyseals.ie)  
**W:** [www.abbeyseals.ie](http://www.abbeyseals.ie)



■ **DUBLIN**

John F. Kennedy Rd  
John F. Kennedy Ind Est  
Dublin D12 PD36  
Ireland

**T:** +353 (0)1 427 7900  
**F:** +353 (0)1 450 8181  
**E:** [dublin@abbeyseals.ie](mailto:dublin@abbeyseals.ie)  
**W:** [www.abbeyseals.ie](http://www.abbeyseals.ie)

■ **CORK**

31b Euro Business Park  
Little Island  
Cork T45 X310  
Ireland

**T:** +353 (0)21 500 3555  
**F:** +353 (0)21 500 3554  
**E:** [cork@abbeyseals.ie](mailto:cork@abbeyseals.ie)  
**W:** [www.abbeyseals.ie](http://www.abbeyseals.ie)

