



Figure 5. Recess Mount

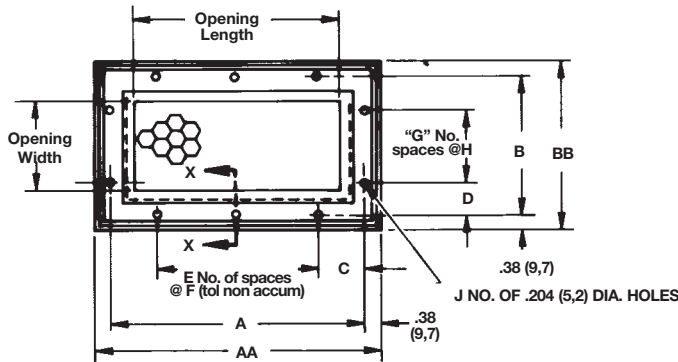
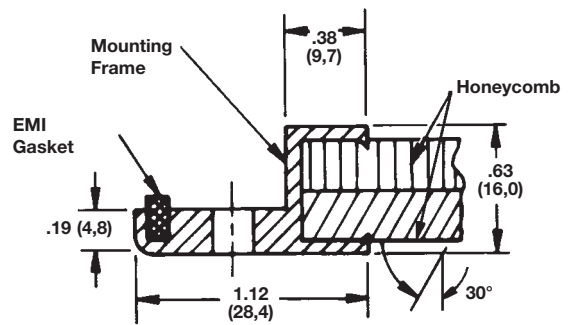
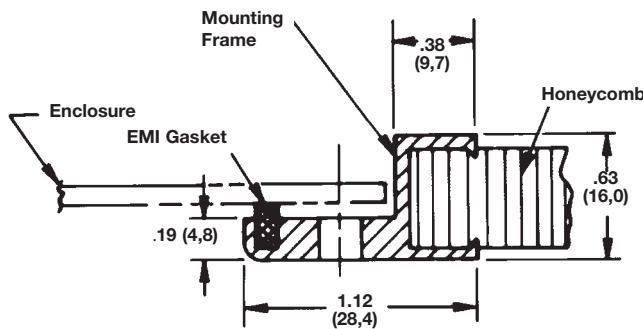


Table 6. Tolerances

Dimensional Location	Size Range with Tolerance		
	0-4 (0-101,6)	4.1-12.0 (104,1-304,8)	12.1 to 24.0 (307,3-609,6)
Length and Width	±.020 (±.51)	±.031 (±.79)	±.040 (±1,02)
Hole Location	±.010 (±.25)	±.015 (±.38)	±.020 (±.51)
Square	±.007 (±.178)	±.015 (±.38)	±.040 (±1,02)

Section X-X (Rotate 900) for 0.50 in. (12,7 mm) Thick Vent 0.125 in. (3,2 mm) Cell



Type 8632

*Type 8633 - Drip-Proof

Table 7. Part No. and Dimension Tabulation

Base Part No.	Opening		Frame Dimensions										
	Width	Length	AA	BB	A	B	C	D	E	F	G	H	J
XXXX-0303-ZZ	3.00 (76,2)	3.00 (76,2)	5.25 (133,4)	5.25 (133,4)	4.50 (114,3)	4.50 (114,3)	2.25 (57,2)	2.25 (57,2)	-	-	-	-	4
XXXX-0305-ZZ	3.00 (76,2)	5.00 (127,0)	7.25 (184,2)	5.25 (133,4)	6.50 (165,2)	4.50 (114,3)	1.75 (44,5)	2.25 (57,2)	1	3.50 (88,9)	-	-	6
XXXX-0311-ZZ	3.00 (76,2)	11.00 (279,4)	13.25 (336,6)	5.25 (133,4)	12.50 (317,5)	4.50 (114,3)	1.75 (44,5)	2.25 (57,2)	3	3.00 (76,2)	-	-	10
XXXX-0404-ZZ	4.00 (101,6)	4.00 (101,6)	6.25 (158,8)	6.25 (158,8)	5.50 (139,7)	5.50 (139,7)	1.00 (25,4)	1.00 (25,4)	1	3.50 (88,9)	1	3.50 (88,9)	8
XXXX-0409-ZZ	4.00 (101,6)	9.00 (228,6)	11.25 (285,8)	6.25 (158,8)	10.50 (266,7)	5.50 (139,7)	0.75 (19,1)	1.00 (25,4)	3	3.00 (76,2)	1	3.50 (88,9)	12
XXXX-0505-ZZ	5.00 (127,0)	5.00 (127,0)	7.25 (184,2)	7.25 (184,2)	6.50 (165,1)	6.50 (165,1)	0.50 (12,7)	1.50 (38,1)	2	2.75 (69,9)	1	3.50 (88,9)	10
XXXX-0511-ZZ	5.00 (127,0)	11.00 (279,4)	13.25 (336,6)	7.25 (184,2)	12.50 (317,5)	6.50 (165,1)	1.00 (25,4)	1.50 (38,1)	3	3.50 (88,9)	1	3.50 (88,9)	12
XXXX-0606-ZZ	6.00 (152,4)	6.00 (152,4)	8.25 (209,6)	8.25 (209,6)	7.50 (190,5)	7.50 (190,5)	0.75 (19,1)	0.75 (19,1)	2	3.00 (76,2)	2	3.00 (76,2)	12
XXXX-0609-ZZ	6.00 (152,4)	9.00 (228,6)	11.25 (285,8)	8.25 (209,6)	10.50 (266,7)	7.50 (190,5)	0.75 (19,1)	0.75 (19,1)	3	3.00 (76,2)	2	3.00 (76,2)	14
XXXX-0714-ZZ	7.00 (177,8)	14.00 (355,6)	16.25 (412,8)	9.25 (235,0)	15.50 (393,7)	8.50 (215,9)	0.75 (19,1)	0.75 (19,1)	4	3.25 (82,6)	2	3.00 (76,2)	16
XXXX-0909-ZZ	9.00 (228,6)	9.00 (228,6)	11.25 (285,8)	11.25 (285,8)	10.50 (266,7)	10.50 (266,7)	0.75 (19,1)	0.75 (19,1)	3	3.00 (76,2)	3	3.00 (76,2)	16
XXXX-1111-ZZ	11.00 (279,4)	11.00 (279,4)	13.25 (336,6)	13.25 (336,6)	12.50 (317,5)	12.50 (317,5)	1.00 (25,4)	1.00 (25,4)	3	3.50 (88,9)	3	3.50 (88,9)	16
XXXX-1414-ZZ	14.00 (355,6)	14.00 (355,6)	16.25 (412,8)	16.25 (412,8)	15.50 (393,7)	15.50 (393,7)	0.75 (19,1)	0.75 (19,1)	4	3.50 (88,9)	4	3.50 (88,9)	20
XXXX-1818-ZZ	18.00 (457,2)	18.00 (457,2)	20.25 (514,4)	20.25 (514,4)	19.50 (495,3)	19.50 (495,3)	0.75 (19,1)	0.75 (19,1)	6	3.00 (76,2)	6	3.00 (76,2)	28

Sizes and configurations not shown are available upon request.

*Not available in Material Code 72.

How to Order ElectroVent Panels:

When vent size has been determined, select mounting frame configuration from the types shown in Figures 3, 4, and 5 on pages 11-12. Insert the type designation into the space occupied by the letters XXXX. Insert material/plating code from Table 1 on page 9 in place of the letters ZZ.

Example:

1. From Table 3 on page 10 for panel opening size of 3.0 x 3.0, Base Part No. is XXXX-0303-ZZ.
2. Type mounting chosen from Section X-X is 8620.
3. From Table 1 on page 9, materials/plating code is 70.
4. Ordering part number is 8620-0303-70.

All dimensions shown are in inches (millimeters) unless otherwise specified.