

Sensing and Control

Cermet rotary potentiometers

Series 456

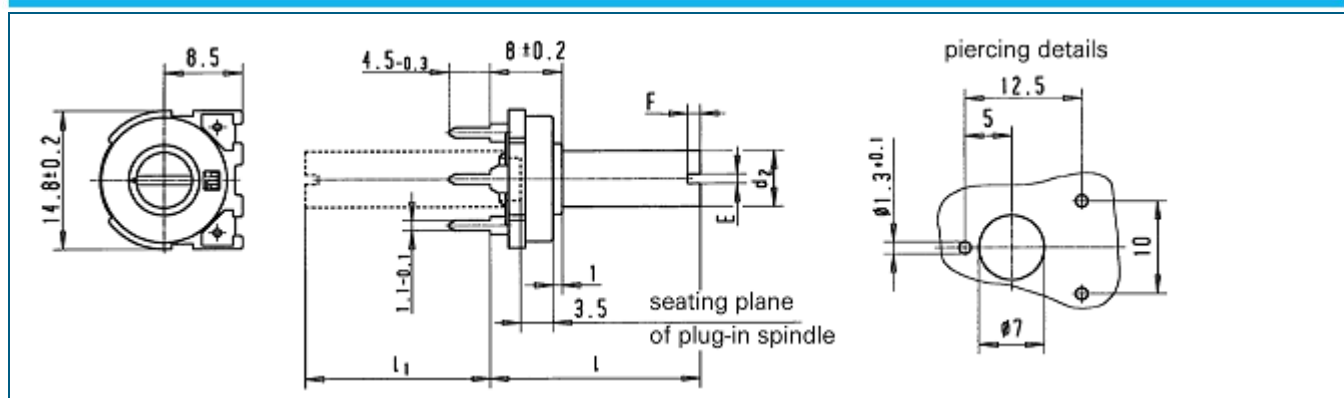
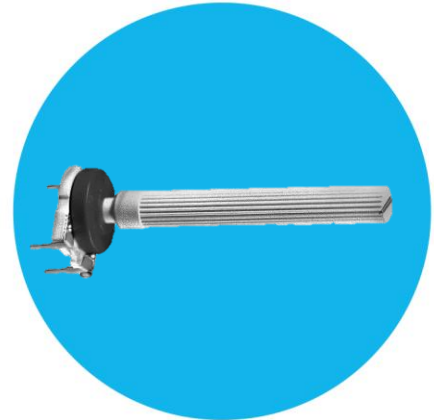
Type HC 456 / 30

Ordering code no.: 21 456

Basic design: encased knob, double metal wiper

Special versions

- Snap-in terminals
- Carbon contact wiper
- Cover with scale



Technical data

Rated resistance range	22 Ω - 4.7 MΩ	Temperature range	-40 °C to +90 °C
Resistance tolerance	± 20 % *	Temperature coefficient	± 250 ppm / °C
Law (resistance taper)	lin *	Electrical travel	240° ± 10° *
Independent linearity	± 10 % *	Mechanical travel	270° ± 10°
Rated dissipation	1 W / 70 °C (1.5 W / 40 °C)	Operating torque	0.5 - 2.5 Ncm
Limiting element voltage	300 V	End stop torque	≥ 10 Ncm
Durability	10 000 cycles		

Spindles

- Plastic moulded, suitable for both sides
- Potentiometers also available without spindle

Further adjustment slots for operating spindles on request e. g. square or D-version

* other values and laws on request

General Note

TT Electronics reserves the right to make changes in product specifications without notice or liability. All information is subject to TT Electronics' own data and is considered accurate at time of going to print.