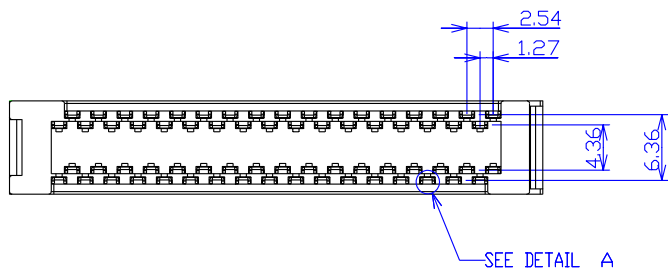
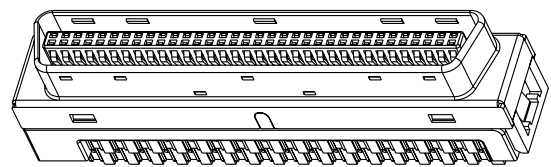
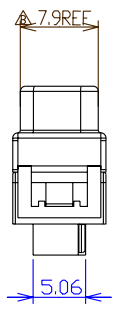
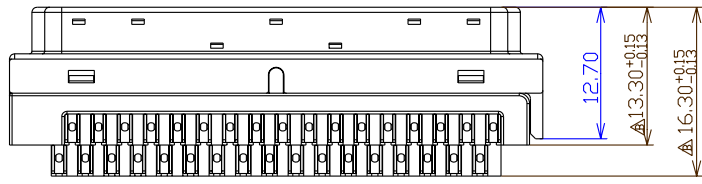
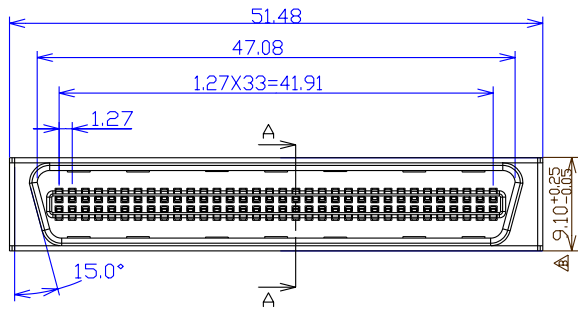


1 2 3 4 5 6 7 8



REV.	EC#	DESCRIPTION	DATE	DRAWN	CHECKED	APPROVED
A	SZECR05231-02	NEW RELEASE PER SZNPR05013	08/18/05	DEYI	FLYING	TCM
B	SZECR10093-01	△X9,MX8,AX1	09/05/10	DONGYANG	—	ZHONGHUA

5	LONG CONTACT	34	T-HBW11-B00X00	C5191R,Au/Lead-Free
4	SHORT CONTACT	34	T-HBW11-A00X00	C5191R,Au/Lead-Free
3	SHELL	1	S-HBP15-F68X00	SPC-3,N/Cu 5um min/2um min
2	STRAIN RELIEF	1	T-HBW11-B68X00	THERMOPLASTIC,UL 94V-0,BLACK
1	HOUSING	1	I-HBP14-A68XX0	THERMOPLASTIC,UL 94V-0,BLACK

ITEM	NAME	Q'TY	PART#	MATERIAL/FINISH
TOLERANCES UNLESS OTHERWISE SPECIFIED		DRAWN		DATE
GENERAL		X		±0.25
XX		XX		±0.13
XXX		XXX		±0.05
ANGLES		X°		±3.0°
XX°		XX°		±2.0°
XXX°		XXX°		±1.0°
SCALE		2:1		
SHEET 1 OF 2		APPROVED		DATE
		TCM		08/19/05
UNIT		MM		
		CUSTOMER DRAWING		
		SERIES		HW1X SERIES
		DWG. NO.		C-HBW17-00-00
		REV.		B

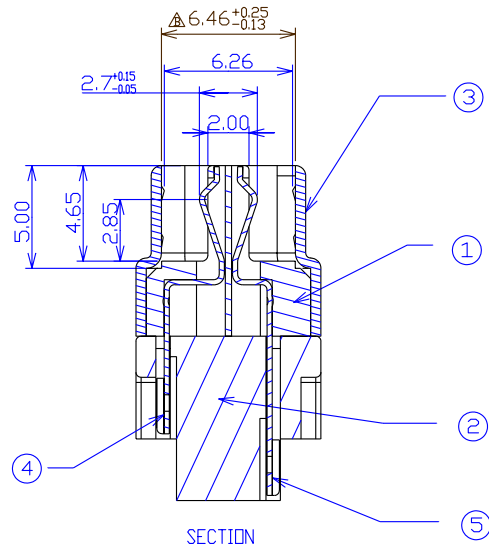


HALF PITCH RIBBON CONNECTOR
MALE SOLDER WIRE TYPE,68PDS.

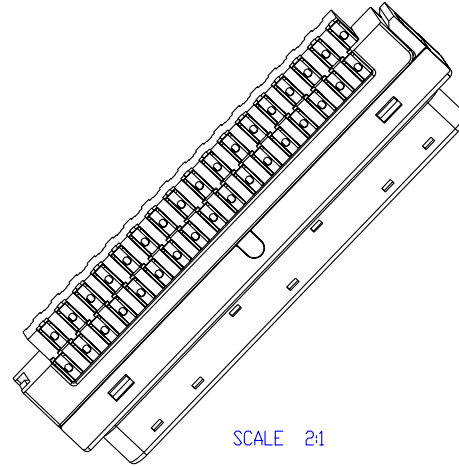
This document and information contained herein are the property of Advanced Connectek Inc., copies are issued in strict confidence and shall not be reproduced or copied, or used as the basic of manufacture or sale of apparatus without permission

All materials meet the ACON's spec. environment-related substances management technical standard

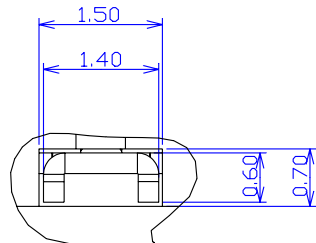
1 | 2 | 3 | 4 | 5 | 6 | 7 | 8



SECTION
A-A
SCALE 4:1



SCALE 2:1



DETAIL A
SCALE 16:1


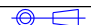
NOTE:

- 1.0 CONNECTOR ELECTRICAL CHARACTERISTICS:
- 1.1 CONTACT CURRENT RATING:1.0 AMPERE
- 1.2 DIELECTRIC WITHSTANDING VOLTAGE: AC 500 V r.m.s
- 1.3 INSULATION RESISTANCE: 500 MEGAOHMS Min.
- 1.4 CONTACT RESISTANCE:35 MILLIOHMS Max.(INITIAL)
- 1.5 ENVIRONMENTS:
OPERATING TEMPERATURE: -55°C TO +85°C

PRODUCT NUMBERING CODE

△ HBW17 - 68 * B 2 0 0
① ② ③ ④ ⑤

- ① CONNECTOR TYPE:
HBW17: W/ STRAIN RELIEF, 4 HOLE CONNECTOR TYPE,SOLDER WIRE TYPE
- ② NO. OF POSITION:
68: 68 POSITIONS
- ③ COLOR OF INSULATOR & COVER & WIRE-HOLDER:
△ K: BLACK PBT
△ M: BLACK LCP
- ④ PLATING OF CONTACT:
B: GOLD PLATED 15 u" Min. LEAD-FREE
- ⑤ PLATING OF SHELL:
2: Nickel 5 um Min. OVER Cu 2 um Min.

TOLERANCES UNLESS OTHERWISE SPECIFIED	DRAWN	DATE	
GENERAL X ±0.25 XX ±0.13 XXX ±0.05	DEYI	08/18/05'	
ANGLES X° ±3.0° X° ±2.0° .XX° ±1.0°	DESIGN	DATE	ADVANCED-CONNECTEK INC.
	DEYI	05/24/05'	
SCALE 2:1	CHECKED	DATE	TITLE
SHEET 2 OF 2	FLYING	08/19/05'	HALF PITCH RIBBON CONNECTOR MALE SOLDER WIRE TYPE,68POS.
UNIT MM	APPROVED	DATE	SERIES HBW17 SERIES DWG. NDL C-HBW17-00-00
	TOM	08/19/05'	
CUSTOMER DRAWING			