

1
HALOGEN FREE

2

3

4

5

6

7

8

REV.	EC#	DESCRIPTION	DATE	DRAWN	CHECKED	APPROVED
A	KSECR090103-01	NEW RELEASE PER NPR09145	08/05/10'	DANIEL	MIKE	WENSON
B	KSECR11011	△X2, AX2	01/19/11'	SONG	MIKE	JEFF
C	KSECR14328	△X1, AX1	12/12/14'	FLORA		

A

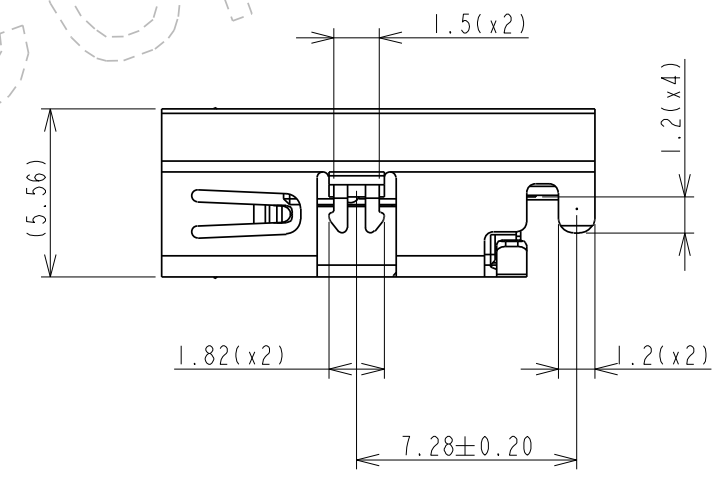
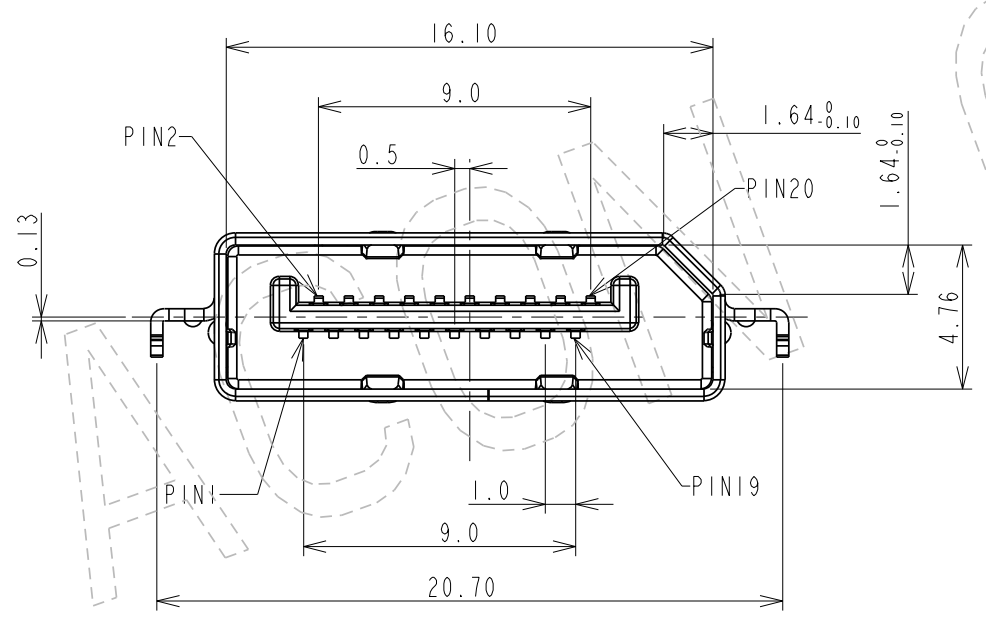
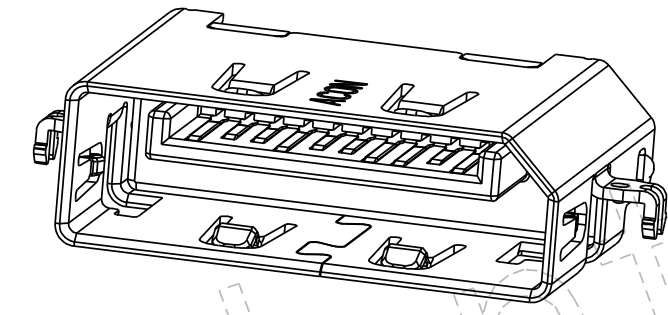
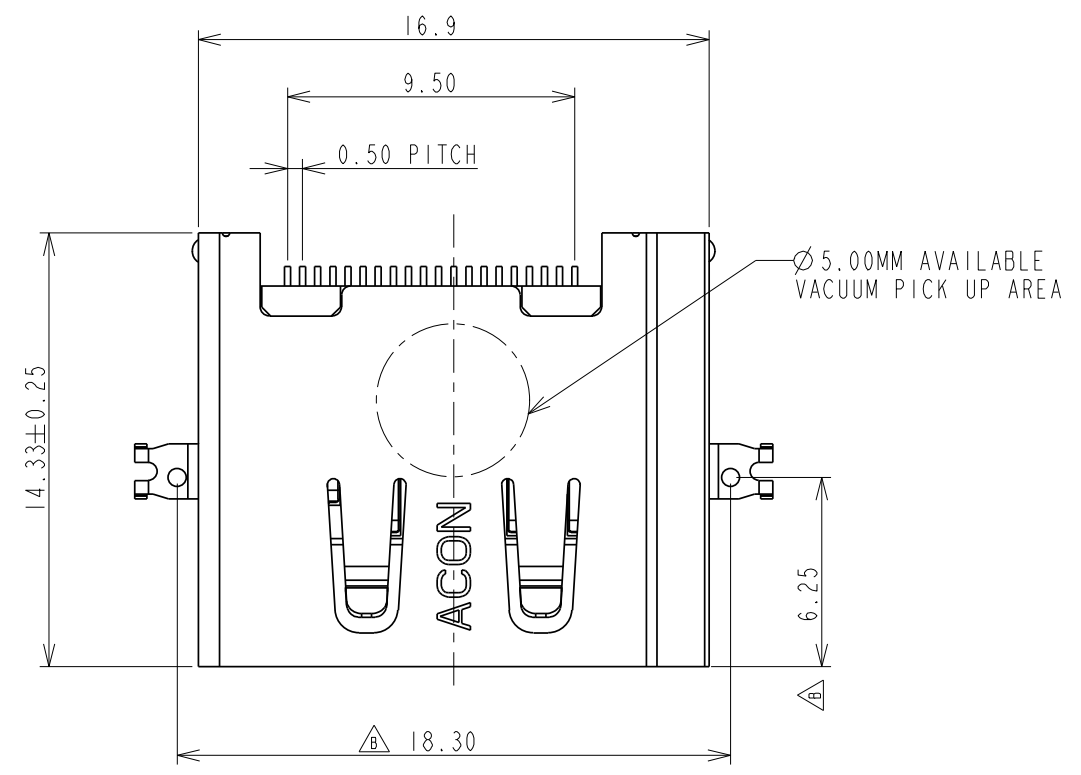
B

C


D

E

F

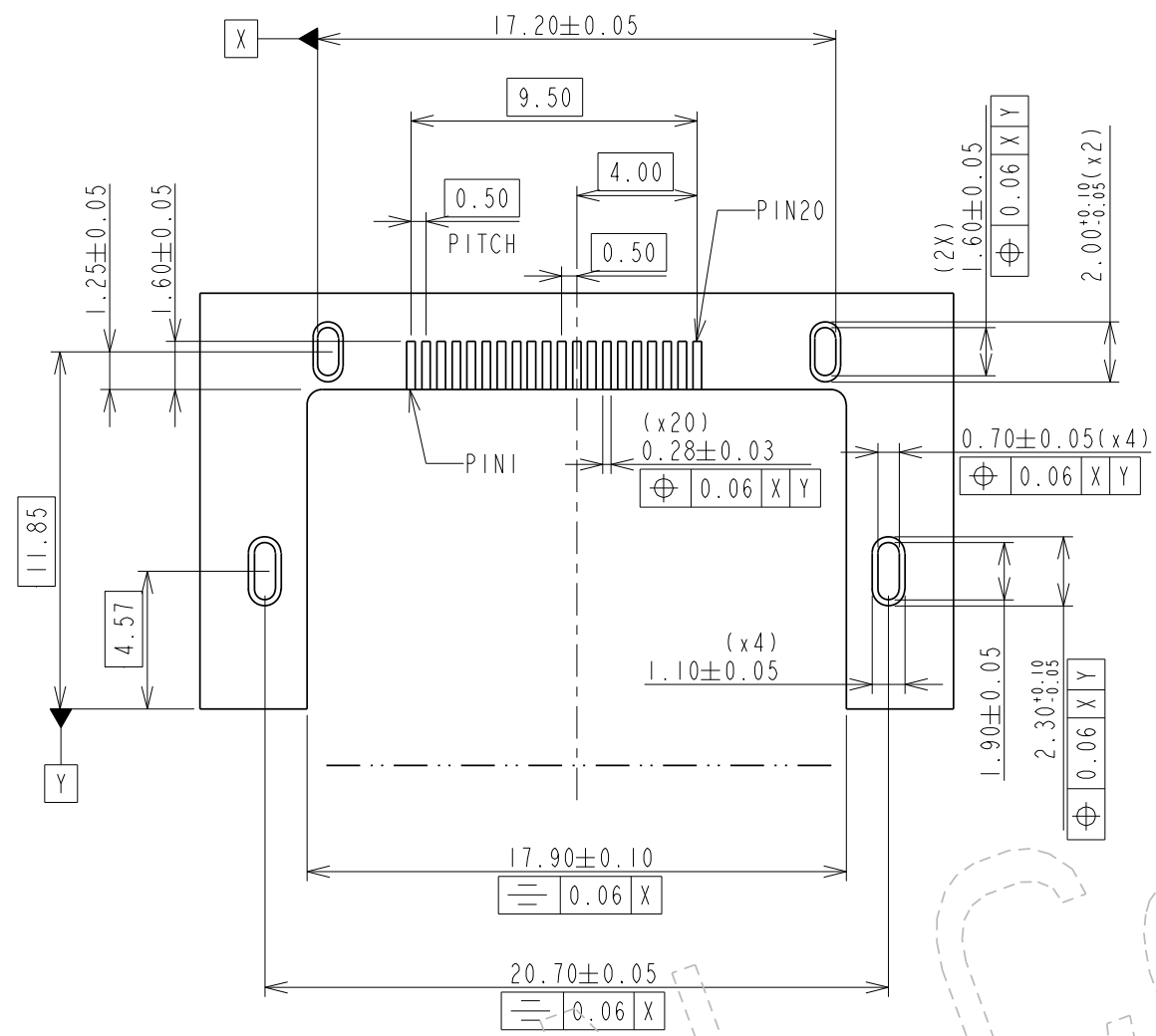


ITEM	NAME	Q'TY	PART #	MATERIAL / FINISH
5	SPACER	1	I-DAR44-220X00	HI-TEMP.PLASTIC RESIN,UL94V-0
4	DOWN CONTACT	10	T-DAR44-200X00	COPPER ALLOY/ Au PLATED
3	UP CONTACT	10	T-DAR44-100X00	COPPER ALLOY/ Au PLATED
2	SHELL	1	S-DAR44-120X00	STEEL/SOLDERING NICKEL
1	HOUSING	1	I-DAR44-120X00	HI-TEMP.PLASTIC RESIN,UL94V-0

TOLERANCES UNLESS OTHERWISE SPECIFIED		DRAWN DATE		 ACON ADVANCED—CONNECTEK INC.
GENERAL X ±0.38		ROY	11/13/09'	
.X ±0.25		DESIGN	DATE	
.XX ±0.13		MICKEY	11/06/09'	
.XXX ±0.05		CHECKED	DATE	TITLE
ANGLES X° ±3.0°		MIKE	11/25/09'	DISPLAY PORT SERIES 20 POS.
.X° ±2.0°		APPROVED	DATE	R/A SMT REVERSE TYPE W/O FLANGE
.XX° ±1.0°		WENSON	11/25/09'	SERIES DAR44 SERIES
SCALE 4:1	SHEET 1 OF 2	UNIT mm		SIZE A3
CUSTOMER DRAWING				DWG NO. C-DAR44-00-00
				REV. C

1 2 3 4 5 6 7 8

HALOGEN FREE




RECOMMENDED PCB LAYOUT (THICKNESS 1.20 +/- 0.15mm)

TABLE A: PRODUCT NUMBER CPDE:

DAR44	-	20	X	X	X	I	X
①	②	③	④	⑤	⑥	⑦	

- 1. PRODUCT:
DAR44: DISPLAY PORT RECEP CONN. REVERSE TYPE W/O FLANGE
- 2. POSITIONS: 20:
20 POSITIONS
- 3. COLOR OF INSULATOR
K: BLACK
- 4. PLATING OF CONTACT
3: Au 10u" MIN. IN CONTACT AREA/MATT-TIN IN SOLDER AREA
5: Au 10u" MIN. IN CONTACT AREA/MATT-TIN IN SOLDER AREA
- 5. PLATING OF FRONT SHELL
2: SOLDERING NICKEL
- 6. POST:
I: WITHOUT POST
- 7. LOGO:
O: ACON LOGO.

A
B
C
D
E
F

TOLERANCES UNLESS OTHERWISE SPECIFIED GENERAL X ±0.38 .X ±0.25 .XX ±0.13 .XXX ±0.05 ANGLES X° ±3.0° .X° ±2.0° .XX° ±1.0°	DRAWN	DATE	 ADVANCED-CONNECTEK INC.
	ROY	11/13/09'	
SCALE 4:1	DESIGN	DATE	TITLE DISPLAY PORT SERIES 20 POS. R/A SMT REVERSE TYPE W/O FLANGE
SHEET 2 OF 2	MICKEY	11/06/09'	
UNIT mm	CHECKED	DATE	SERIES DAR44 SERIES SIZE A3
	MIKE	11/25/09'	
	APPROVED	DATE	DWG NO. C-DAR44-00-00 REV. C
	WENSON	11/25/09'	
	CUSTOMER DRAWING		