

**SURFACE MOUNT LOW PROFILE  
POWER INDUCTORS  
SERIES SPI0802**

**FEATURES**

- Low profile only 3.0 mm maximum
- High energy storage
- Ideal for DC-DC conversion in notebook PC and converters
- High heat resistance, excellent for flow or reflow soldering
- Available in bulk or tape and reel

**ELECTRICAL SPECIFICATIONS**

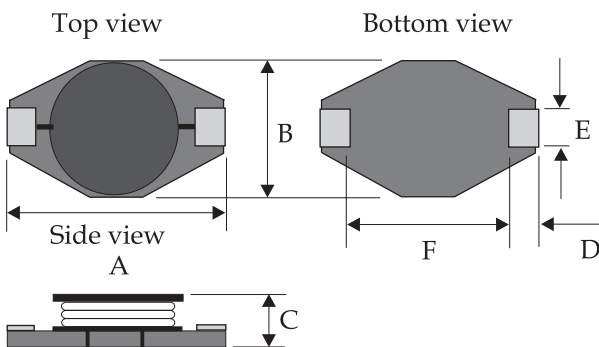
- Inductance range      1uH to 1000uH
- Test frequency        100KHz @ 0.1V test level
- Test equipment        Quadtech 1750 LCR Meter
- Rated current range    0.09 Amps to 3.6 Amps
- Tolerance                ± 20%
- Saturation current     Measured when Lo drops 15% typical
- Rated current          Measured when temperature rises up to 25°C

**PHYSICAL SPECIFICATIONS**

- Operating temp.        -40°C to +125°C
- Core                      Ferrite
- Terminal                Flat tinned copper wire
- Packaging                Bulk    100 pieces per bag  
                                  T & R   700 pieces per reel
- Tape & reel spec.      Tape    24 mm embossed carrier tape  
                                  Reel    330 mm plastic or paper

**DIMENSIONS IN MILLIMETERS**

- Length A                12.95 max.
- Width B                 9.40 max.
- Height C                3.00 max.
- Terminal length D     2.54 nominal
- Terminal width E      2.54 nominal
- Distance between terminals F 7.62 nominal

**SPECIFICATIONS**

Part Number	L ( $\mu$ H)	Tol % ±	DCR max ( $\Omega$ )	Saturation Current (mA)	Rated Current (mA)
SPI0802-1R0M	1.0	20	0.016	3500	3600
SPI0802-1R5M	1.5	20	0.020	3000	3200
SPI0802-2R2M	2.2	20	0.026	2800	3000
SPI0802-3R3M	3.3	20	0.038	2700	2800
SPI0802-4R7M	4.7	20	0.045	2600	2700
SPI0802-6R8M	6.8	20	0.063	2500	2600
SPI0802-100M	10	20	0.088	2400	2100
SPI0802-150M	15	20	0.120	2000	1800
SPI0802-220M	22	20	0.170	1800	1600
SPI0802-270M	27	20	0.250	1700	1500
SPI0802-330M	33	20	0.270	1500	1300
SPI0802-470M	47	20	0.350	1100	1000
SPI0802-560M	56	20	0.430	1000	900
SPI0802-680M	68	20	0.460	900	800
SPI0802-101M	100	20	0.740	700	600
SPI0802-151M	150	20	1.150	600	500
SPI0802-221M	220	20	1.600	500	400
SPI0802-331M	330	20	2.280	400	300
SPI0802-471M	470	20	3.800	300	200
SPI0802-681M	680	20	5.000	220	150
SPI0802-102M	1000	20	7.700	150	90

**SUGGESTED LAND PATTERN**

- A = 7.37 mm
- B = 2.79 mm
- C = 2.92 mm

