

**HIGH INDUCTANCE
EMI FILTERING
TOROIDAL INDUCTOR
SERIES T3**

FEATURES

- Suitable for buck mode regulators
- Ideal for EMI filters
- Self electromagnetic shielding
- Available in various sizes

ELECTRICAL CHARACTERISTICS

- Inductance range 100 μ H to 10000 μ H
- Tolerance \pm 10% over entire range
- Rated current Based on value obtained when Lo drops 10% typical
- Test procedure L is measured @ 1 KHz with 10mVAC test level
- Test equipment QuadTech 1750 LCR Meter

PHYSICAL CHARACTERISTICS

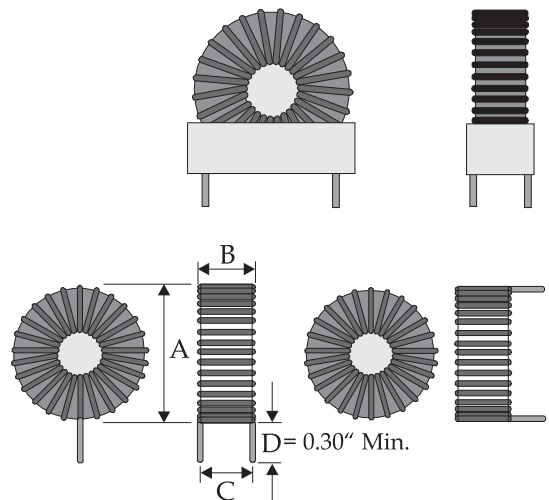
- Operating temp. -55°C to +105°C
- Construction Vertical, Horizontal, Klip mount
- Note Please add suffix to part number when ordering to indicate construction type:
 V = Vertical
 H = Horizontal
 K = Klip mount
- Core material Ferrite
- Wire SPNR temperature rating 135°C
- Tinning Leads are pretinned within 0.10" of toroid body
- Finish Covered with UL glass tape
- Marking None
- Packaging 100 pieces per bag

SPECIFICATIONS

Part Number	L (μ H)	DCR Max (Ω)	Rated Current (DC) Amps	Size
T3-500M101K	100	0.160	0.500	1
T3-500M151K	150	0.190	0.500	1
T3-500M221K	220	0.225	0.500	1
T3-500M331K	330	0.270	0.500	1
T3-500M471K	470	0.350	0.500	1
T3-500M681K	680	0.450	0.500	1
T3-500M102K	1000	0.500	0.500	1
T3-250M152K	1500	0.650	0.250	2
T3-250M222K	2200	1.250	0.250	2
T3-250M332K	3300	1.750	0.250	2
T3-250M472K	4700	1.900	0.250	2
T3-125M682K	6800	3.500	0.125	2
T3-125M103K	10000	4.500	0.125	2

DIMENSIONS IN INCHES

SIZE	DIAMETER A	THICKNESS B	LEAD SPACING C
1	0.65" \pm 0.10"	0.30" \pm 0.10"	0.25" \pm 0.10"
2	0.95" \pm 0.10"	0.55" \pm 0.10"	0.50" \pm 0.10"



NOTE: Other inductance values are available. Please call our Sales Department for detailed information.