

**LOW PROFILE, MINIATURE
SMD POWER INDUCTORS
SERIES LP1608**

FEATURES

- Compact. Low profile. Sturdy construction
- Good for frequencies from 400KHz to 2MHz
- Low price

ELECTRICAL SPECIFICATIONS

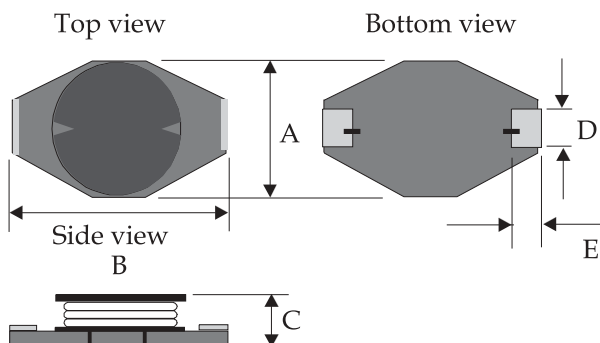
- Inductance range 1.0uH to 1000uH
- Tolerance ± 10%
- Test frequency 100 KHz with 0.1VAC test level
- Test equipment QuadTech 1750 LCR Meter
- Rated current Obtained when component exhibits maximum temperature rise of 30°C

PHYSICAL SPECIFICATIONS

- Operating temp. -40°C to +125°C
- Material Ferrite
- Terminal Flat tinned copper
- Finish Coil is bonded to carrier with epoxy
- Packaging 2500 pieces per reel
- Tape specification 16 mm embossed carrier

DIMENSIONS IN MILLIMETERS

- Diameter A 4.44 ± 0.20
- Total length B 6.80 ± 0.20
- Total height C 2.60 ± 0.20
- Terminal width D 1.34 nominal
- Terminal length E 1.30 nominal



SPECIFICATIONS

| Part Number | L (μH) | Tol % ± | DCR max (Ω) | Rated Current (mA) |
|-------------|--------|---------|-------------|--------------------|
| LP1608-1R0K | 1.0 | 10 | 0.03 | 3100 |
| LP1608-1R5K | 1.5 | 10 | 0.04 | 2800 |
| LP1608-2R2K | 2.2 | 10 | 0.05 | 2400 |
| LP1608-3R3K | 3.3 | 10 | 0.06 | 2200 |
| LP1608-4R7K | 4.7 | 10 | 0.07 | 1800 |
| LP1608-6R8K | 6.8 | 10 | 0.12 | 1400 |
| LP1608-100K | 10 | 10 | 0.17 | 1200 |
| LP1608-150K | 15 | 10 | 0.23 | 1000 |
| LP1608-220K | 22 | 10 | 0.33 | 800 |
| LP1608-330K | 33 | 10 | 0.45 | 700 |
| LP1608-470K | 47 | 10 | 0.64 | 600 |
| LP1608-680K | 68 | 10 | 0.91 | 500 |
| LP1608-101K | 100 | 10 | 1.36 | 375 |
| LP1608-151K | 150 | 10 | 2.10 | 330 |
| LP1608-221K | 220 | 10 | 2.67 | 300 |
| LP1608-331K | 330 | 10 | 4.16 | 210 |
| LP1608-471K | 470 | 10 | 5.34 | 190 |
| LP1608-681K | 680 | 10 | 7.68 | 160 |
| LP1608-102K | 1000 | 10 | 12.2 | 120 |

SUGGESTED LAND PATTERN

A = 3.05 mm
B = 2.50 mm
C = 2.50 mm

