

New Product

**SURFACE MOUNT
SHIELDED POWER INDUCTOR
SERIES SSI502**

FEATURES

- RoHS compliant
- High current capacity
- Low profile

ELECTRICAL SPECIFICATIONS

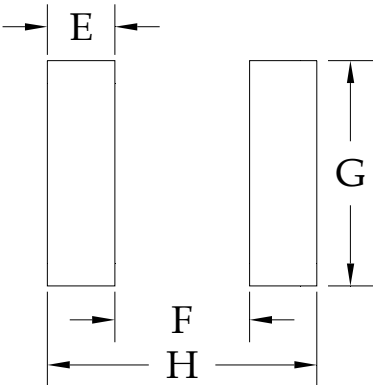
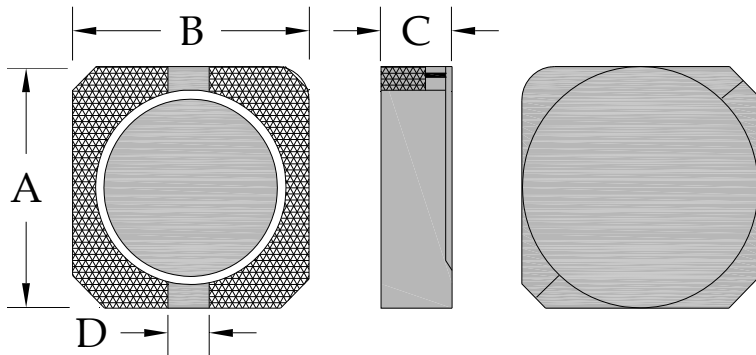
- Inductance range 1.0uH to 100uH
- Test condition 100mVrms, 100kHz
- Test equipment Quadtech 1750 LCR Meter

PHYSICAL SPECIFICATIONS

- Operating temperature range -25°C to +105°C
- Core Ferrite
- Packaging T & R 4000 pieces per reel
- Tape & reel spec. Tape 12 mm embossed carrier
Reel 330 mm

Dimensions in millimeters

- Length A 5.0 max
- Width B 5.0 max
- Height C 2.0 max
- Terminal pitch D 1.5 ref



Suggested PCB land pattern

- E = 1.9
- F = 1.5
- G = 5.3
- H = 5.3

Notes:

1. Based on ΔL of 35% max or ΔT of 40°C max, whichever occurs first.

All test data based on 25°C ambient. Part temperature (ambient+temp rise) must not exceed max operating temperature under worst case operating conditions. Circuit design, components, PCB trace size and thickness, airflow and other cooling provisions all effect the part temperature.

SPECIFICATIONS

Part Number	L(uH) ± 30%	DCR (ohms) max	Rated Current (A) (Note 1)
SSI502-1R0Y	1.0	0.045	1.72
SSI502-2R2Y	2.2	0.075	1.32
SSI502-2R7Y	2.7	0.105	1.28
SSI502-3R3Y	3.3	0.110	1.04
SSI502-3R9Y	3.9	0.155	0.88
SSI502-4R7Y	4.7	0.162	0.84
SSI502-5R6Y	5.6	0.170	0.80
SSI502-6R8Y	6.8	0.200	0.76
SSI502-8R2Y	8.2	0.245	0.68
SSI502-100Y	10	0.200	0.61
SSI502-120Y	12	0.210	0.56
SSI502-150Y	15	0.240	0.50
SSI502-180Y	18	0.338	0.48
SSI502-220Y	22	0.397	0.41
SSI502-270Y	27	0.441	0.35
SSI502-330Y	33	0.694	0.32
SSI502-390Y	39	0.709	0.30
SSI502-470Y	47	0.922	0.28
SSI502-560Y	56	1.08	0.26
SSI502-680Y	68	1.30	0.24
SSI502-820Y	82	1.55	0.22
SSI502-101Y	100	1.73	0.20