

**SMD SHIELDED POWER INDUCTORS
SERIES SHS1204**

FEATURES

- 100% ferrite shielding, zero cross talk
- High current handling capacity
- Available in bulk or tape and reel

ELECTRICAL SPECIFICATIONS

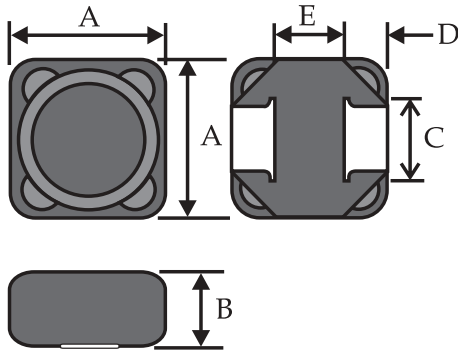
- Inductance range 3.3uH to 330uH*
- Test frequency 1 KHz
- Test equipment Quadtech 1750 LCR Meter
- Rated current range 0.5 to 6.5 Amps
- Tolerance $\pm 20\%$
- Rated current Obtained when L_o drops 20% typical

PHYSICAL SPECIFICATIONS

- Operating temperature -40°C to $+125^{\circ}\text{C}$
- Construction Wound ferrite bobbin covered with ferrite sleeve
- Shielding Less than 2% coupling
- Terminal Flat tinned copper wire
- Packaging Bulk 100 pieces per bag
T & R 500 pieces per reel
- Tape & reel spec. Tape 24 mm embossed carrier tape
Reel 330 mm paper or plastic reel

DIMENSIONS IN MILLIMETERS

- Square side A 12.5 ± 0.3
- Height B 4.6 max.
- Terminal width C 5.0 nominal
- Terminal length D 2.5 nominal
- Space between terminals E 7.5 nominal



* NOTE:
Other inductance values are available on special order.

SPECIFICATIONS

Part Number	L (μH)	Tol % \pm	DCR max (Ω)	Rated Current (DC) max (mA)
SHS1204-3R3M	3.3	20	0.015	6500
SHS1204-4R7M	4.7		0.018	5700
SHS1204-6R8M	6.8		0.023	4900
SHS1204-100M	10		0.028	4500
SHS1204-120M	12		0.038	4000
SHS1204-150M	15		0.052	3200
SHS1204-180M	18		0.060	3100
SHS1204-220M	22		0.070	2900
SHS1204-270M	27		0.080	2800
SHS1204-330M	33		0.097	2700
SHS1204-390M	39		0.132	2100
SHS1204-470M	47		0.150	1900
SHS1204-560M	56		0.190	1800
SHS1204-680M	68		0.220	1500
SHS1204-820M	82		0.260	1300
SHS1204-101M	100		0.308	1200
SHS1204-121M	120		0.380	1100
SHS1204-151M	150		0.520	950
SHS1204-181M	180		0.600	850
SHS1204-221M	220		0.700	800
SHS1204-271M	270		0.860	600
SHS1204-331M	330		0.980	500

SUGGESTED LAND PATTERN