

**VERY LOW PROFILE
SMD POWER INDUCTORS
SERIES SDL**

FEATURES

- This item was designed to replace our "DD" axial lead inductor with the lowest height possible
- Excellent for applications such as PCMCIA, where height is critical
- Sturdy construction
- Good for flow and reflow soldering

ELECTRICAL SPECIFICATIONS

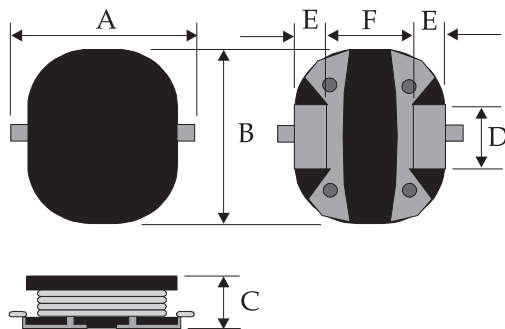
- Inductance range 0.56 μ H to 1000 μ H
- Test frequency 1KHz @ 0.1V test level
- Test equipment Quadtech 1750 LCR Meter
- Rated current Measured when Lo drops 10% typical or component exhibits a temperature rise of more than 35°C.

PHYSICAL SPECIFICATIONS

- Operating temp. -25°C to +125°C
- Core Ferrite
- Terminal Flat tinned copper wire
- Packaging Bulk 100 pieces per bag
 T & R 1500 pieces per reel
- Tape & reel spec. Tape 16 mm embossed tape
 Reel 330 mm plastic or paper

DIMENSIONS IN MILLIMETERS

- Total length A 9.9 \pm 0.5
- Total width B 7.6 \pm 0.5
- Height C 2.8 \pm 0.5
- Terminal length D 3.0 \pm 0.3
- Terminal width E 1.8 nominal
- Leads spacing F 3.8 nominal

**SPECIFICATIONS**

Part Number	L (μ H)	Tol % \pm	DCR max (Ω)	Rated Current (mA)
SDL-R56M	0.56	20	0.018	2800
SDL-R82M	0.82	20	0.020	2750
SDL-1R0M	1.0	20	0.022	2700
SDL-1R5M	1.5	20	0.026	2650
SDL-2R2M	2.2	20	0.028	2600
SDL-2R7M	2.7	20	0.032	2500
SDL-3R3M	3.3	20	0.036	2300
SDL-3R9M	3.9	20	0.048	2200
SDL-4R7M	4.7	20	0.049	1920
SDL-5R6M	5.6	20	0.055	1750
SDL-6R8M	6.8	20	0.060	1600
SDL-8R2M	8.2	20	0.070	1500
SDL-100K	10	10	0.076	1350
SDL-120K	12	10	0.085	1100
SDL-150K	15	10	0.137	1000
SDL-220K	22	10	0.168	930
SDL-270K	27	10	0.190	750
SDL-330K	33	10	0.220	710
SDL-390K	39	10	0.280	635
SDL-470K	47	10	0.290	582
SDL-560K	56	10	0.340	565
SDL-680K	68	10	0.400	500
SDL-820K	82	10	0.450	410
SDL-101K	100	10	0.650	397
SDL-121K	120	10	0.730	360
SDL-151K	150	10	0.840	320
SDL-181K	180	10	0.980	310
SDL-221K	220	10	1.160	300
SDL-251K	250	10	1.280	270
SDL-271K	270	10	1.500	250
SDL-331K	330	10	1.700	230
SDL-391K	390	10	2.100	210
SDL-471K	470	10	2.300	190
SDL-561K	560	10	2.850	170
SDL-681K	680	10	3.300	150
SDL-821K	820	10	3.800	130
SDL-102K	1000	10	4.700	120

SUGGESTED LAND PATTERN

A = 3.4 mm
B = 3.4 mm
C = 2.2 mm

