

New Product

**SURFACE MOUNT
SHIELDED POWER INDUCTOR
SERIES SDA4430**

FEATURES

- RoHS compliant
- High current handling capacity
- Ultra thin
- Low profile
- A perfect fit for various applications including DC-DC converters, laptops and mobile devices.

ELECTRICAL SPECIFICATIONS

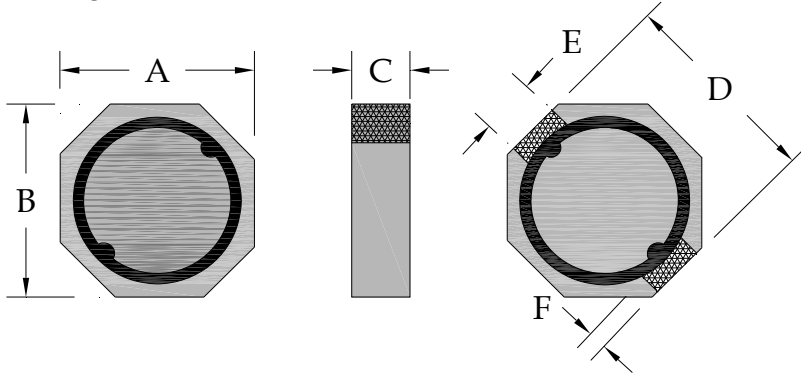
- Inductance range 1uH to 6.8mH
- Test condition (1uH - 8.2uH) 100kHz @ 0.25Vrms
- Test condition (10uH - 6.8mH) 1kHz @ 0.25Vrms
- Test equipment Quadtech 1750 LCR Meter

PHYSICAL SPECIFICATIONS

- Operating temp. -25°C to +105°C
- Core Ferrite
- Packaging T & R 2500 pieces per reel
- Tape & reel spec. Tape 12 mm embossed carrier
Reel 330 mm

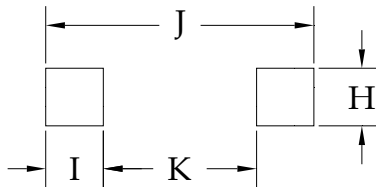
Dimensions in millimeters

- Length A 3.85 ± 0.30
- Width B 3.85 ± 0.30
- Height C 3.0 max
- D 4.4 ± 0.4
- Term width E 1.6 ref
- Term length F 0.5 ref



Suggested PCB land pattern

- H = 1.9
- I = 0.8
- J = 4.6
- K = 3.0



Notes:

1. Based on ΔL of 30% max or ΔT of 40°C max, whichever occurs first
2. All test data based on 25°C ambient. Part temperature (max ambient + temp rise) must not exceed 105°C under worst case operating conditions.
Circuit design, other components, PCB trace size and thickness, airflow and other cooling provisions all effect the part temperature.

SPECIFICATIONS

Part Number	L(uH)	Tol % ±	DCR (ohms) max	Rated Current (A) (Note 1)
SDA4430-1R0M	1.0	20	0.009	1.90
SDA4430-1R2M	1.2	20	0.010	1.75
SDA4430-1R5M	1.5	20	0.013	1.45
SDA4430-2R0M	2.0	20	0.016	1.25
SDA4430-2R2M	2.2	20	0.017	1.15
SDA4430-2R5M	2.5	20	0.018	1.05
SDA4430-2R7M	2.7	20	0.020	1.00
SDA4430-3R3M	3.3	20	0.024	0.96
SDA4430-3R5M	3.5	20	0.025	0.95
SDA4430-3R9M	3.9	20	0.033	0.87
SDA4430-4R7M	4.7	20	0.039	0.78
SDA4430-5R6M	5.6	20	0.044	0.74
SDA4430-6R8M	6.8	20	0.051	0.68
SDA4430-8R2M	8.2	20	0.065	0.57
SDA4430-100M	10	20	0.092	0.43
SDA4430-120M	12	20	0.100	0.38
SDA4430-150M	15	20	0.113	0.33
SDA4430-180M	18	20	0.125	0.30
SDA4430-220M	22	20	0.146	0.28
SDA4430-270M	27	20	0.176	0.26
SDA4430-330M	33	20	0.214	0.23
SDA4430-390M	39	20	0.225	0.21
SDA4430-470M	47	20	0.304	0.19
SDA4430-560M	56	20	0.324	0.17
SDA4430-680M	68	20	0.472	0.156
SDA4430-820M	82	20	0.539	0.142
SDA4430-101M	100	20	0.608	0.128
SDA4430-121M	120	20	0.757	0.116
SDA4430-151M	150	20	0.882	0.106
SDA4430-181M	180	20	1.13	0.095
SDA4430-221M	220	20	1.27	0.087
SDA4430-271M	270	20	1.57	0.080
SDA4430-331M	330	20	1.93	0.078
SDA4430-391M	390	20	2.36	0.073
SDA4430-471M	470	20	2.77	0.068
SDA4430-561M	560	20	3.52	0.065
SDA4430-681M	680	20	4.25	0.056
SDA4430-821M	820	20	4.83	0.050
SDA4430-102M	1000	20	6.26	0.047
SDA4430-122M	1200	20	7.86	0.043
SDA4430-152M	1500	20	9.98	0.039
SDA4430-182M	1800	20	12.17	0.036
SDA4430-272M	2700	20	16.12	0.029
SDA4430-332M	3300	20	22.04	0.026
SDA4430-392M	3900	20	27.50	0.022
SDA4430-472M	4700	20	30.80	0.020
SDA4430-562M	5600	20	35.94	0.019
SDA4430-682M	6800	20	44.01	0.017