

New Product

**SURFACE MOUNT
SHIELDED POWER INDUCTOR
SERIES SDA5520**

FEATURES

- RoHS compliant
- High current handling capacity
- Ultra thin
- Low profile
- A perfect fit for various applications including DC-DC converters, laptops and mobile devices.

ELECTRICAL SPECIFICATIONS

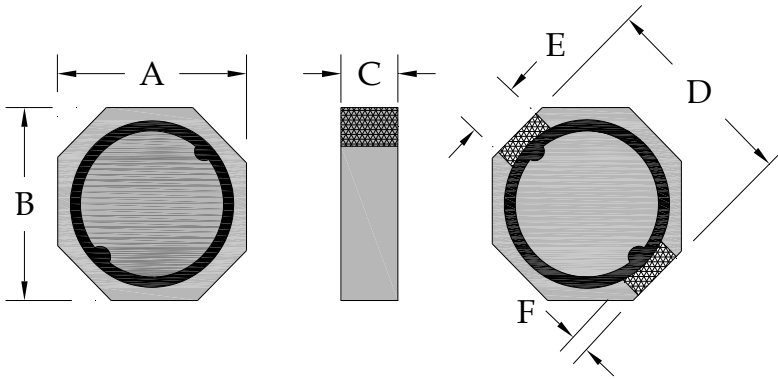
- Inductance range 0.47uH to 10mH
- Test condition (0.47uH - 8.2uH) 0.25Vrms @ 100kHz
- Test condition (10uH - 10mH) 0.25Vrms @ 1kHz
- Test equipment Quadtech 1750 LCR Meter

PHYSICAL SPECIFICATIONS

- Operating temp. -25°C to +105°C
- Core Ferrite
- Packaging T & R 3500 pieces per reel
- Tape & reel spec. Tape 12 mm embossed carrier
- Reel 330 mm

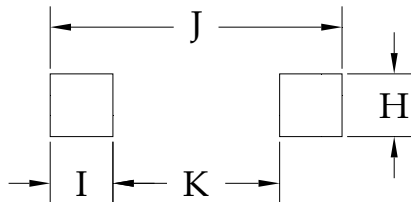
Dimensions in millimeters

- Length A 5.3 max
- Width B 5.3 max
- Height C 2.0 max
- D 5.9 ± 0.4
- Term width E 1.6 ref
- Term length F 0.5 ref



Suggested PCB land pattern

- H = 1.9
- I = 0.9
- J = 5.7
- K = 3.9



Notes:

1. Based on ΔL of 30% max or ΔT of 40°C max, whichever occurs first
2. All test data based on 25°C ambient. Part temperature (max ambient + temp rise) must not exceed 105°C under worst case operating conditions. Circuit design, other components, PCB trace size and thickness, airflow and other cooling provisions all effect the part temperature.

SPECIFICATIONS

Part Number	L(uH)	Tol % ±	DCR (ohms) max	Rated Current (A) (Note 1)
SDA5520-R47M	0.47	30	0.015	2.33
SDA5520-1R0M	1.0	30	0.024	2.27
SDA5520-1R2M	1.2	20	0.044	2.15
SDA5520-2R0M	2.0	20	0.046	1.90
SDA5520-2R2M	2.2	20	0.059	1.63
SDA5520-3R3M	3.3	20	0.062	1.50
SDA5520-3R5M	3.5	20	0.073	1.34
SDA5520-4R1M	4.1	20	0.081	1.20
SDA5520-4R7M	4.7	20	0.087	1.14
SDA5520-6R8M	6.8	20	0.105	0.95
SDA5520-8R2M	8.2	20	0.139	0.90
SDA5520-100M	10	20	0.150	0.76
SDA5520-150M	15	20	0.210	0.63
SDA5520-220M	22	20	0.275	0.56
SDA5520-270M	27	20	0.452	0.48
SDA5520-330M	33	20	0.455	0.44
SDA5520-470M	47	20	0.730	0.35
SDA5520-680M	68	20	0.935	0.30
SDA5520-820M	82	20	1.30	0.27
SDA5520-101M	100	20	1.50	0.23
SDA5520-121M	120	20	1.91	0.22
SDA5520-151M	150	20	2.68	0.21
SDA5520-181M	180	20	3.04	0.20
SDA5520-221M	220	20	3.52	0.195
SDA5520-271M	270	20	4.38	0.193
SDA5520-331M	330	20	5.56	0.190
SDA5520-471M	470	20	7.82	0.180
SDA5520-821M	820	20	15.00	0.120
SDA5520-392M	3900	20	89.99	0.042
SDA5520-472M	4700	20	101.12	0.038
SDA5520-562M	5600	20	115.00	0.036
SDA5520-682M	6800	20	152.00	0.030
SDA5520-103M	10000	20	201.16	0.026