

New Product

**SURFACE MOUNT
SHIELDED POWER INDUCTOR
SERIES SDB8830**

FEATURES

- RoHS compliant
- High current handling capacity in a shielded package
- Easy to use in any design
- Ideal for use in laptops, communication systems and MP3 players

ELECTRICAL SPECIFICATIONS

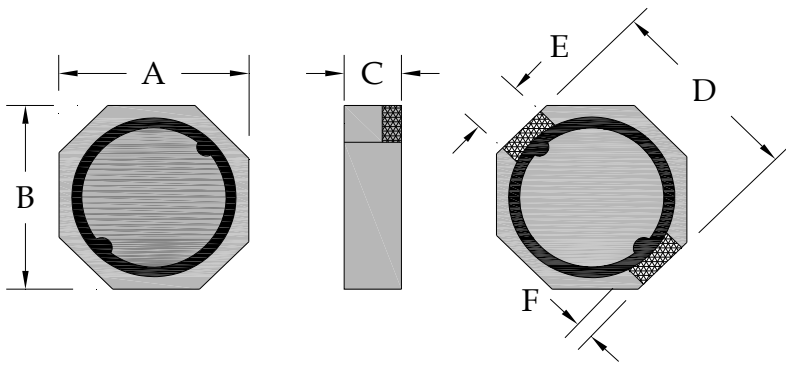
- Inductance range 1uH to 220uH
- Test condition (1uH - 7.3uH) 100kHz @ 0.25Vrms
- Test condition (10uH - 220uH) 1kHz @ 0.25Vrms
- Test equipment Quadtech 1750 LCR Meter

PHYSICAL SPECIFICATIONS

- Operating temp. -25°C to +105°C
- Core Ferrite
- Packaging T & R 350 or 1500 pieces per reel
- Tape & reel spec. Tape 12 mm embossed carrier
Reel 178 or 330 mm

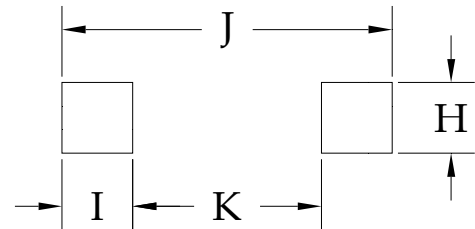
Dimensions in millimeters

- Length A 8.3 max
- Width B 8.3 max
- Height C 3.0 max
- D 8.9 ± 0.3
- Term width E 2.5 ref
- Term length F 0.8 ref



SPECIFICATIONS

Part Number	L(uH)	Tol % ±	DCR (ohms) max	Rated Current (A) (Note 1)
SDB8830-1R0M	1.0	20	0.009	6.61
SDB8830-2R2M	2.2	20	0.014	4.66
SDB8830-2R5M	2.5	20	0.016	4.50
SDB8830-3R3M	3.3	20	0.018	4.00
SDB8830-4R7M	4.7	20	0.025	3.40
SDB8830-6R8M	6.8	20	0.036	2.90
SDB8830-7R3M	7.3	20	0.039	2.80
SDB8830-100M	10	20	0.047	2.50
SDB8830-150M	15	20	0.069	1.90
SDB8830-220M	22	20	0.099	1.60
SDB8830-270M	27	20	0.145	1.40
SDB8830-330M	33	20	0.156	1.30
SDB8830-470M	47	20	0.195	1.15
SDB8830-680M	68	20	0.286	0.92
SDB8830-101M	100	20	0.430	0.75
SDB8830-221M	220	20	0.860	0.44



Suggested PCB land pattern

- H = 2.8
- I = 1.7
- J = 9.5
- K = 6.1

Notes:

1. Based on ΔL of 30% max or ΔT of 40°C max, whichever occurs first
2. All test data based on 25°C ambient. Part temperature (max ambient + temp rise) must not exceed 105°C under worst case operating conditions. Circuit design, other components, PCB trace size and thickness, airflow and other cooling provisions all effect the part temperature.