

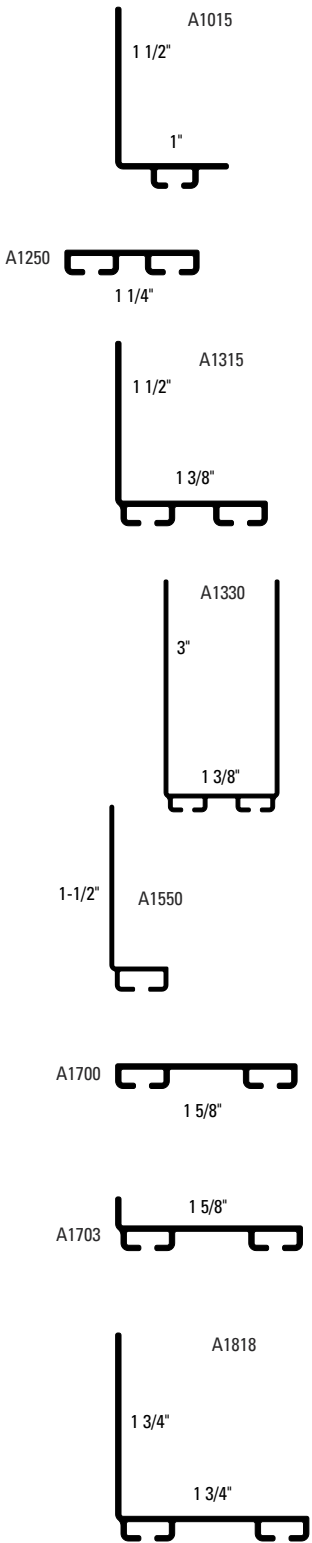
BOTTOM SEALS

ALUMINUM BOTTOM SEAL RETAINERS

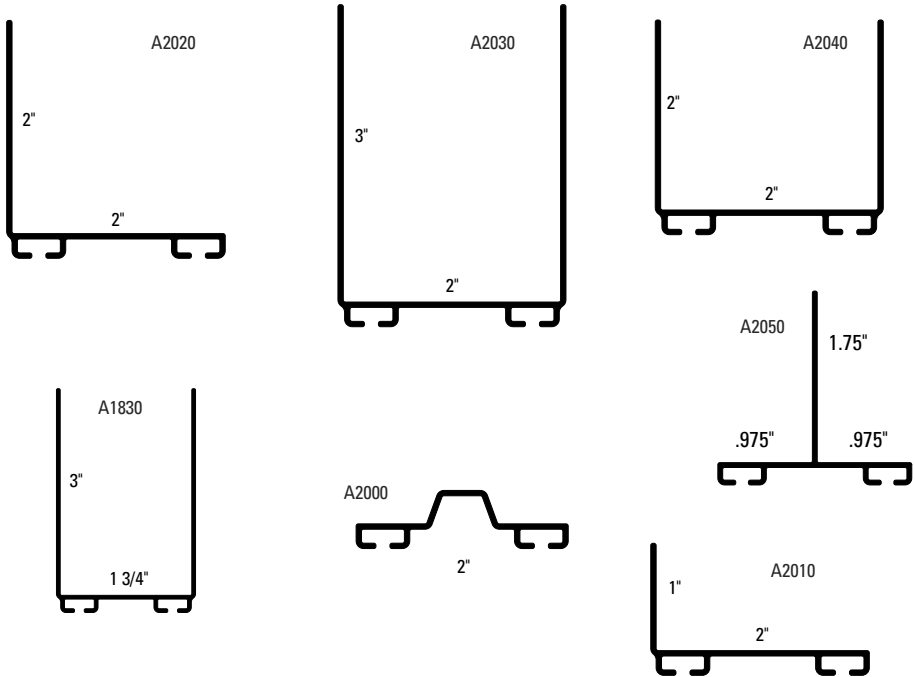
Longer-lasting, versatile retainer that will accept 1/4" T-Style rubber, vinyl or bulb seals from pages 13, 14, 19 and 20.

Available in Mill finish.

STANDARD LENGTHS: 8'-2", 9'-2", 10'-2", 12'-4", 14'-4", 16'-4", 18'-4"



PART NUMBER	DESCRIPTION
A1015-01-W	1" x 1 1/2" L-Shaped
A1250-00-W	1 1/4" Flat
A1315-01-W	1 3/8" x 1 1/2" L-Shaped
A1330-01-W	1 3/8" x 3" U-Shaped
A1550-01-W	1/2" x 1 1/2" L-Shaped
A1700-00-W	1 5/8" Flat
A1703-00-W	1 5/8" L-Shaped
A1818-01-W	1 3/4" x 1 3/4" L-Shaped
A1830-01-W	1 3/4" x 3" U-Shaped
A2000-TG-W	2" Tongue & Groove Panel
A2010-01-W	2"x 1" L-Shaped
A2020-01-W	2"x 2" L-Shaped
A2030-01-W	2" x 3" U-Shaped
A2040-01-W	2" x 2" U-Shaped
A2050-01-W	2" x 1 5/8" T-Shaped

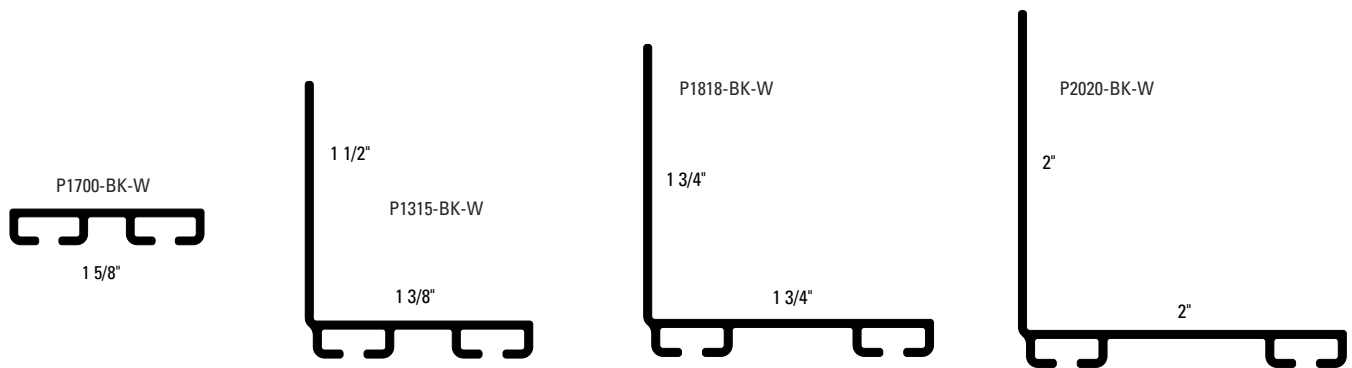


PLASTIC BOTTOM SEAL RETAINERS

Made to withstand cracking and hold their shape in temperature extremes. They are designed as economical and versatile retainers that will accept 1/4" T-style rubber, vinyl or bulb seals.

STANDARD LENGTHS: 8'-2", 16'-4", 18'-4"

PART NUMBER	DESCRIPTION
P1700-BK-W	1 5/8" Flat, Black
P1315-BK-W	1 3/8" X 1 1/2" L-Shape, Black
P1818-BK-W	1 3/4" X 1 3/4" L-Shape, Black
P2020-BK-W	2" x 2" L-Shape, Black



BOTTOM BEAD END RUBBER SEAL

PART NUMBER	DESCRIPTION
E3564-BL-W	4" Rubber, Black, 150' Reel, .14" Bead

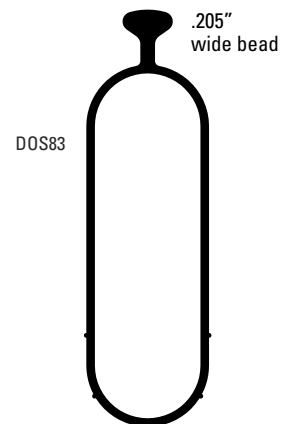
Fits most Finishline doors.



MINI STORAGE DOOR BOTTOM SEAL

OEM replacement bottom bulb seal for mini storage doors. Made of durable, black EPDM synthetic rubber. Excellent in extreme temperatures (-50° to 350° F).

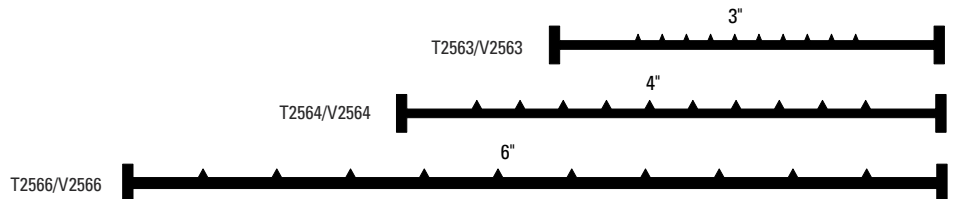
PART NUMBER	DESCRIPTION
DOS83-BK-W	Rubber, Black, 100' Roll, 1 1/2" Bulb



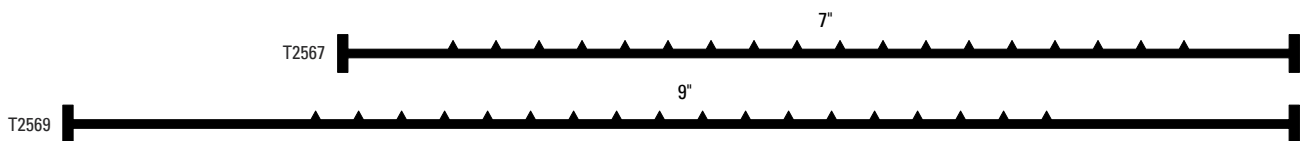
BOTTOM "T" RUBBER SEALS

Made of durable, black EPDM synthetic rubber, excellent in extreme temperature conditions (-50° – 350°F). Designed with a 1/4" "T" to fit the popular T-style bottom retainers.

PART NUMBER	DESCRIPTION
T2563-00-W	3" T-Rubber, Black, 150' Reel
T2564-00-W	4" T-Rubber, Black, 150' Reel
T2566-00-W	6" T-Rubber, Black, 100' Reel



PART NUMBER	DESCRIPTION
T2567-00-W	7" T-Rubber, Black, 100' Roll
T2569-00-W	9" T-Rubber, Black, 100' Roll



BOTTOM "T" VINYL SEALS

This high-quality vinyl astragal series provides an economical option for your bottom seal needs. The material is specially engineered for better performance at low temperatures, and the universal 1/4" "T" construction fits almost any retainer.

PART NUMBER	DESCRIPTION
V2563-BL-W	3" T-Vinyl, Black, 200' Reel
V2563-GR-W	3" T-Vinyl, Gray, 200' Reel

PART NUMBER	DESCRIPTION
V2564-BL-W	4" T-Vinyl, Black, 200' Reel
V2564-GR-W	4" T-Vinyl, Gray, 200' Reel
V2564-YL-W	4" T-Vinyl, Yellow, 200' Reel

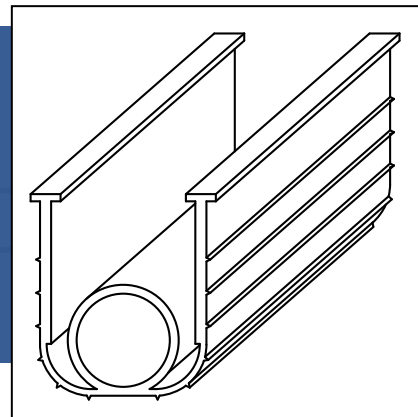
PART NUMBER	DESCRIPTION
V2566-BL-W	6" T-Vinyl, Black, 200' Reel
V2566-GR-W	6" T-Vinyl, Gray, 200' Reel

DEMAND SUPER SEAL



ACTION INDUSTRIES' 4" SUPER SEAL PROVIDES A HIGH PERFORMANCE TUBE BOTTOM RUBBER SEAL WHICH WILL OUT-PERFORM OTHER GARAGE DOOR BOTTOM SEALS.

- + Creates a tight seal with extra cushion
- + Easy to install
- + Reduces energy loss
- + 1" tube, ¼" T-End Rubber

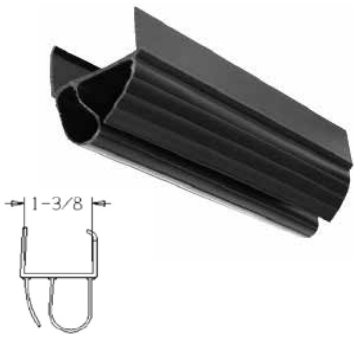


Part Number	Description
T2564-SS-W-100-KT	100' including 20 stoppers
T2564-SS-W	1'-99'
RST-05-W	Rubber Stopper



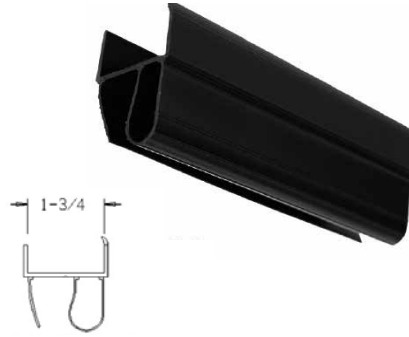
**FOR MORE INFORMATION, VISIT
WWW.ACTION-IND.COM OR CALL 1-800-321-1130.**

DEMAND THE **NEW** ONE PIECE BOTTOM SEALS



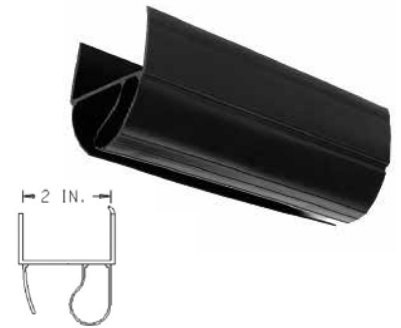
1 3/8" ONE-PIECE BOTTOM SEAL

Action Part Number: PL138-BK-W
12 Pieces/Box



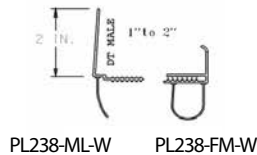
1 3/4" ONE-PIECE BOTTOM SEAL

Action Part Number: PL134-BK-W
12 Pieces/Box



2" ONE-PIECE BOTTOM SEAL

Action Part Number: PL200-BK-W
6 Pieces/Box



UNIVERSAL BOTTOM SEAL - MALE

Action Part Number: PL238-ML-W
6 Pieces/Box



UNIVERSAL BOTTOM SEAL - FEMALE

Action Part Number: PL238-FM-W
6 Pieces/Box



TONGUE AND GROOVE ONE PIECE BOTTOM SEAL

Action Part Number: PL158-TG-W
20 Pieces/Box

STOCK CUT LENGTHS: 14'-4", 16'-4", 18'-4"

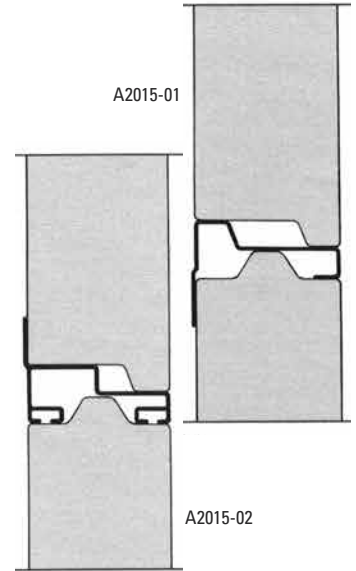
**FOR MORE INFORMATION, VISIT
WWW.ACTION-IND.COM OR CALL 1-800-321-1130.**

SHIP-LAP/TONGUE-AND-GROOVE ADAPTERS

Convert tongue-and-groove sections to ship-lap and ship-lap sections to tongue-and-groove. Additionally, A2015-02-W serves the dual purpose of being used as either a ship-lap adapter or as a bottom retainer. With each of these innovative accessories, you can make use of the panels available to you.

STANDARD MILL LENGTHS: 8'-2", 9'-2", 10'-2", 12'-4", 14'-4", 16'-4", 18'-4"

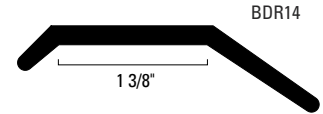
PART NUMBER	DESCRIPTION
A2015-01-W	2" x 1 1/2"
A2015-02-W	2" x 1 1/2"



WOOD DOOR BOTTOM NAIL-ON SEALS - EPDM

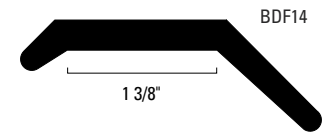
Our dense EPDM rubber seal will reduce drafts and create a cushion between the garage floor and the bottom of wood garage doors.

PART NUMBER	DESCRIPTION
BDR14-00-W	Dense Rubber, 100' Roll



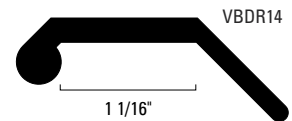
Our EPDM sponge seal is an economical option to create a seal between the garage floor and the bottom of wood garage doors.

PART NUMBER	DESCRIPTION
BDF14-00-W	Soft Sponge, 100' Roll



WOOD DOOR BOTTOM NAIL-ON SEALS - VINYL

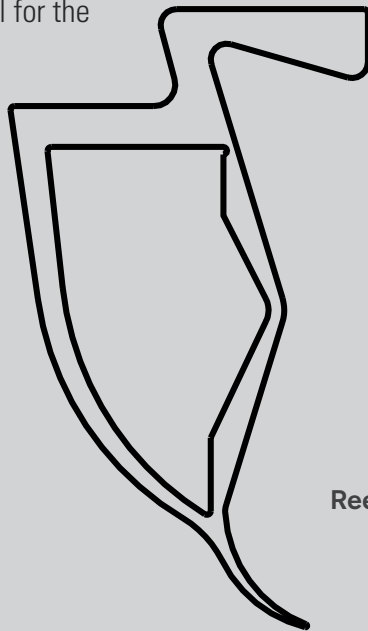
PART NUMBER	DESCRIPTION
VBDR14-00-W	Vinyl, 100' Roll



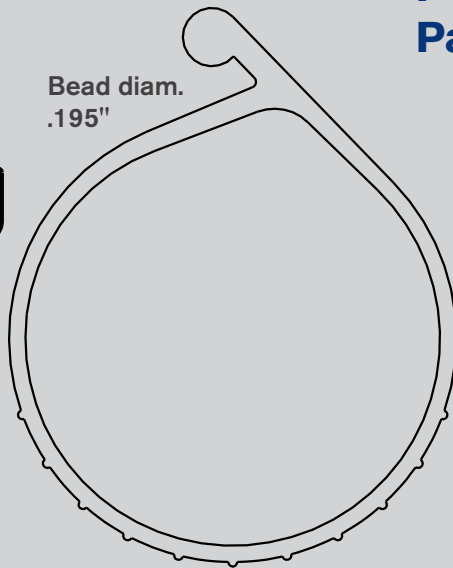
DEMAND THE **NEW** BOTTOM SEALS

Bottom PVC Weatherseal Part #V0401-GR-W

An aftermarket weatherseal for the
Overhead 400 series doors.



Bead diam.
.195"



Reel quantity is 100 feet.

P-Bulb Bottom Seal Part #V0015-GR-W

A 1-1/2" bead end bulb
weatherseal for many door
makes and models, including
Overhead 180, 280 and 390
Series doors.



CONSTRUCTED OF GREY PVC TO
CREATE A **WEATHERTIGHT SEAL.**

FOR MORE INFORMATION, VISIT
WWW.ACTION-IND.COM OR CALL 1-800-321-1130.

DEMAND THE rodentBLOCK Seals



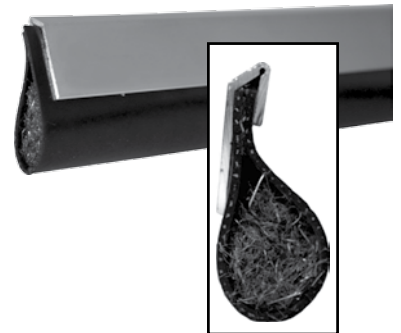
DROP SHIP



rodentBLOCK PASSAGE DOOR SWEEPS

These durable sweeps feature a heavy duty EPDM rubber gasket with a high density Xcluder™ core to provide maximum protection against rodents and other pests.

PART NUMBER	DESCRIPTION	COLOR
XS3CO-00-W	3' rodentBLOCK Door Sweep	Mill
XS4CO-00-W	4' rodentBLOCK Door Sweep	Mill



DROP SHIP



rodentBLOCK DOCK LEVELER SEAL KIT

Reinforced EPDM rubber and Xcluder™ fill fabric create a virtually impenetrable barrier against rodents and other pests. Each kit includes two 84" side seals and mounting hardware.

PART NUMBER	DESCRIPTION
XDSK-08-W	7' rodentBLOCK Dock Leveler Seal Set

Custom kits available for larger levelers. Contact your sales representative for details.



DROP SHIP

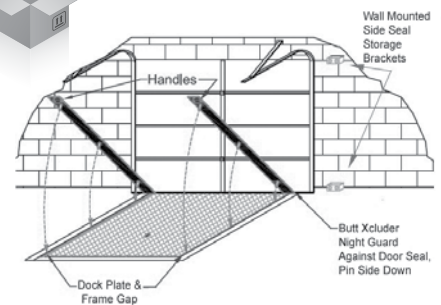


rodentBLOCK XCLUDER™ NIGHT GUARD™ DOCK LEVELER SEAL

Easy-to-install alternative to filling the gaps around dock levelers. Simply place the Night Guard™ seals on each side of the leveler when it is not in use. Constructed of solid steel and Xcluder™ fill fabric, these seals protect against rodents and other pests. Each kit includes two 4" wide by 7' long seals, and storage brackets for wall mounting.

PART NUMBER	DESCRIPTION
XNG-07-W	7' rodentBLOCK Night Guard™ Dock Leveler Seal Set

Also available in 6' and 8' lengths. Contact your sales representative for pricing.



Drop Shipped direct from our manufacturing location(s).



FOR MORE INFORMATION, VISIT
WWW.ACTION-IND.COM OR CALL 1-800-321-1130.

DEMAND THE rodentBLOCK Door Seals



XCLUDER™ PEST-PROOF SEALS FOR COMMERCIAL AND RESIDENTIAL APPLICATIONS

XCLUDER™ rodentBLOCK DOOR SEALS FEATURING XCLUDER'S PATENTED FILL FABRIC CREATE A TOUGH BARRIER THAT IS VIRTUALLY IMPENETRABLE TO RODENTS, RESULTING IN REDUCED MAINTENANCE COSTS AND IMPROVED COMPLIANCE.

DESCRIPTION	SIZE
XT2563-00-W	3" XCLUDER
XT2564-00-W	4" XCLUDER

COMPATIBLE WITH ACTION'S PLASTIC BOTTOM SEAL RETAINERS AND ALUMINUM BOTTOM SEAL RETAINERS*WORKS WITH BOTH SECTIONAL AND ROLLING DOORS

rodentBLOCK
DOOR SEALS

Xcluder pest proof seals for commercial and residential applications.



*Not compatible with A1015-01-W aluminum retainer

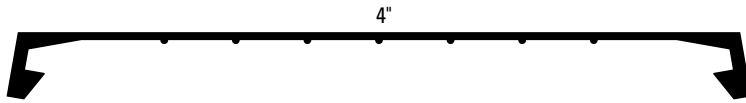


**ACTION INDUSTRIES IS AN AUTHORIZED DISTRIBUTOR OF
XCLUDER™ rodentBLOCK Door Seals**

BOTTOM CLOPAY VINYL SEALS

Designed for a Clopay garage door with a single channel for the seal.

PART NUMBER	DESCRIPTION
V2131-BK-W	4" Clopay Bottom Seal, 200' Reel

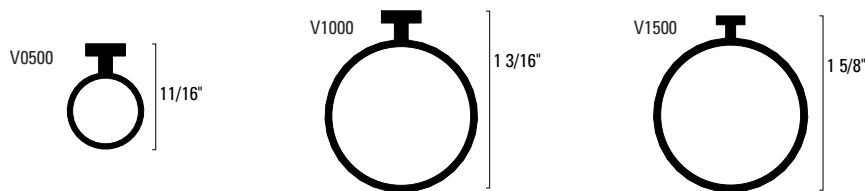


BOTTOM "T" BULB VINYL SEALS

Made from a strong vinyl compound. Designed with a 1/4" "T" to fit the popular T-style bottom retainers.

AVAILABLE IN ROLLS OR INSTALLED.

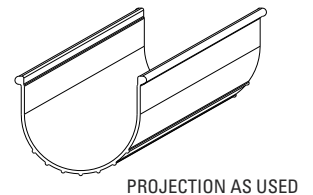
PART NUMBER	DESCRIPTION
V0500-GR-W	1/2" Gray
V1000-GR-W	1" Gray
V1500-GR-W	1 1/2" Gray
V1500-YL-W	1 1/2" Yellow



BULB-TYPE 4" BOTTOM VINYL SEAL

This 4 inch wide, black vinyl, bulb-type bottom seal with 1/8" bead diameter fits most Wayne Dalton garage doors. It is available in standard 200 foot reels or custom lengths.

PART NUMBER	DESCRIPTION
V4564-BL-W-200	4" Bottom Bead End, Black, 200' reel



BOTTOM "BEAD" END VINYL SEALS

This high-quality gray vinyl bottom seal is available in 3", 4" & 6" widths, bead diameter 3/16" – 7/32".

PART NUMBER	DESCRIPTION
V3563-00-W	3", 200' Reel
V3564-00-W	4", 200' Reel
V3566-00-W	6", 100' Reel

