

Pushbutton Enclosures

For either indoor or outdoor use, the pushbutton fiberglass series enclosures protect against dirt, oil, dust and water. Our pushbutton enclosures are designed to house items such as pushbuttons, pilot lights, and switches, the pushbutton series works with installation of 30mm operators.

STANDARD FEATURES

- Three layouts available 1-7 cover holes
- Lift off cover design
- Recessed captive stainless steel screws
- Notched keyhole design
- Metal grounding strap furnished
- Poured polyurethane gasket provides water-tight, dust-tight seal
- Lightweight and impact resistant

DESIGN OPTIONS

- External mounting feet available
- Drilled entries and cut-outs available
- Installation of cover operators

MATERIAL

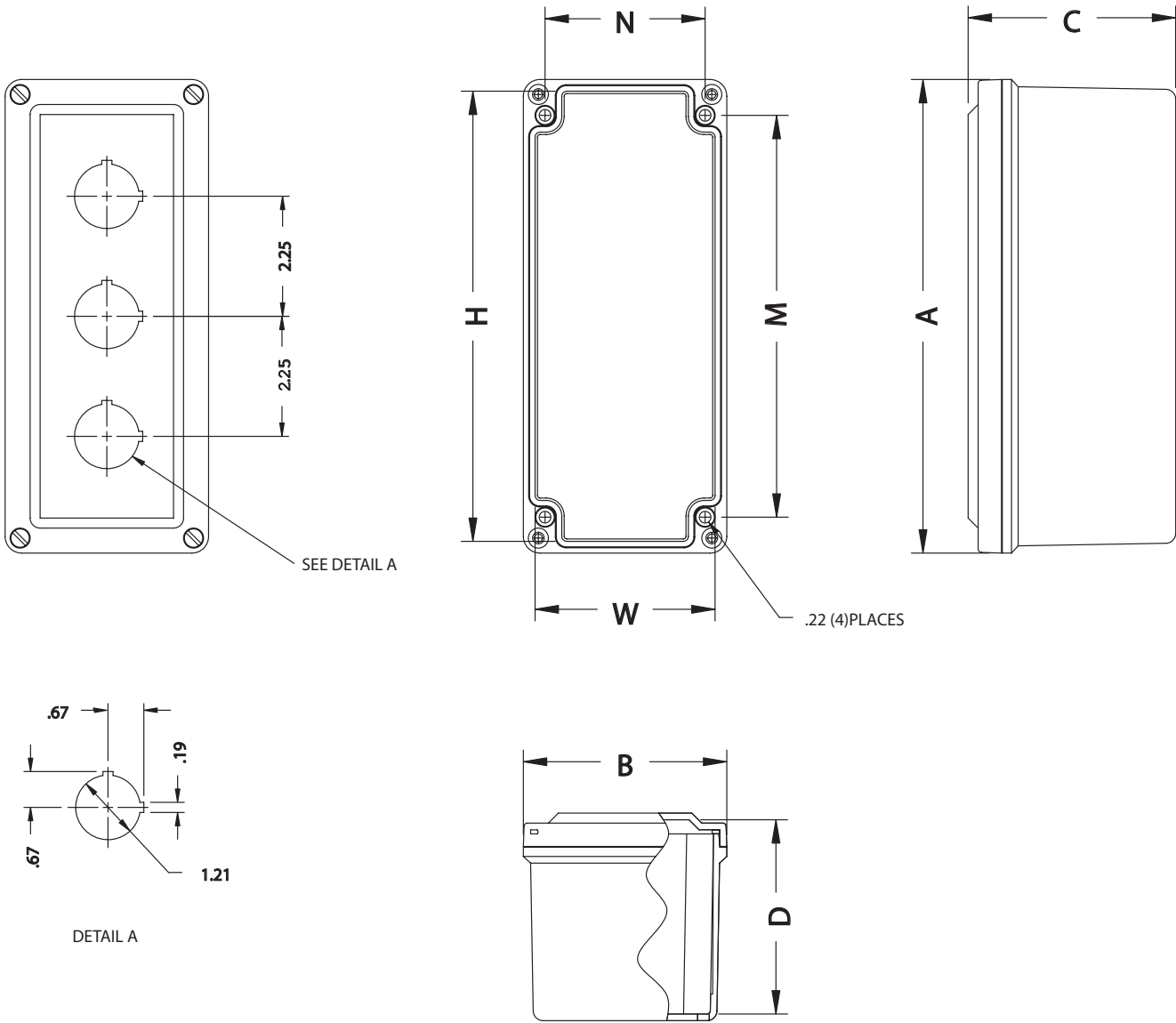
- Hot compression molded fiberglass reinforced polyester (thermoset)
- Non-corrosive and UV resistant
- Smooth surface, no color variations, swirls, or color pockets
- Non-flame propagating and chemical resistant
- Color is light gray



CERTIFICATIONS

UL / cUL 50
 CSA Std 22.2
 NEMA Type 1, 3, 4X, 6P, 12
 Temperature Range - 40 °C to +120 °C (-40 °F to +250 °F)
 Flammability Rating UL94-5V





Pushbutton Enclosure - Screw Cover / No Mounting Panel

CAT. NUMBER	OUTSIDE DIM.			INSIDE DIM.			MOUNTING		SHIPPING WT. (LBS)	PANEL PART NO.
	A	B	C	H	W	D	M	N		
N4X-FG-1PB	6.63	3.81	3.89	6	3.19	3.63	4.88	2.94	2	No Panel
N4X-FG-2PB	6.63	3.81	3.89	6	3.19	3.63	4.88	2.94	2	No Panel
N4X-FG-3PB	8.88	3.81	3.89	8.26	3.19	3.63	7.13	2.94	2	No Panel
N4X-FG-4PB	11.13	3.81	3.89	10.51	3.19	3.63	9.37	2.94	2	No Panel
N4X-FG-5PB	13.78	3.63	3.14	13.19	3.03	2.87	12.37	2.75	2	No Panel
N4X-FG-6PB	17.35	3.63	3.14	16.75	3.03	2.87	15.94	2.75	3	No Panel
N4X-FG-7PB	17.35	3.63	3.14	16.75	3.03	2.87	15.94	2.75	3	No Panel

Information is subject to change without notice

Measurements in inches