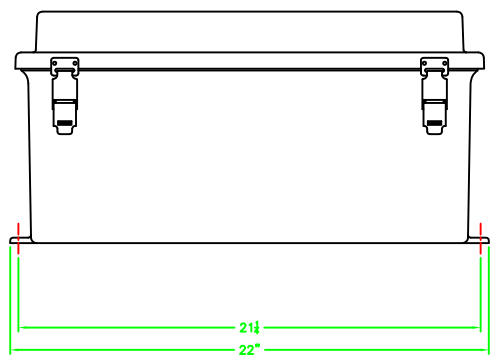
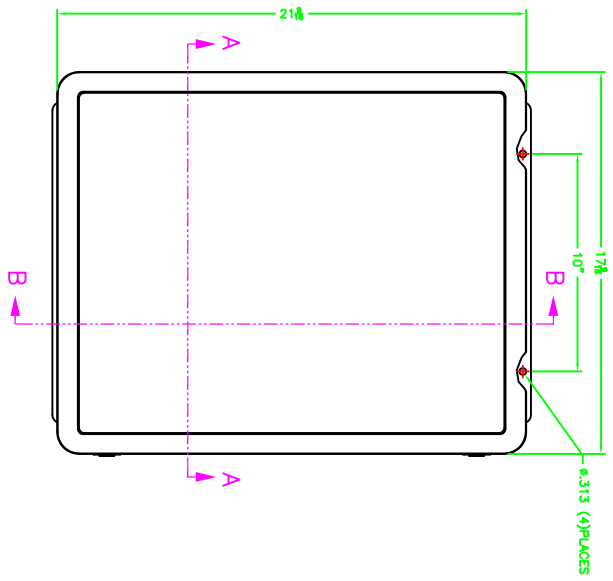
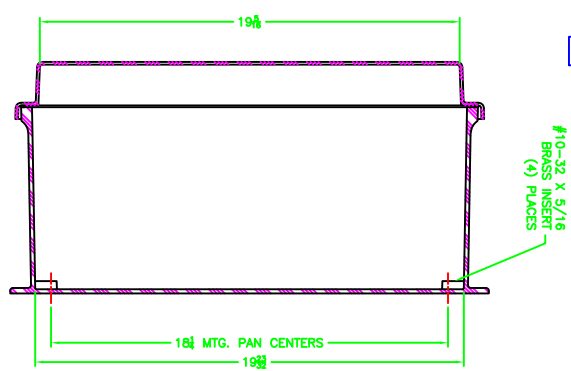


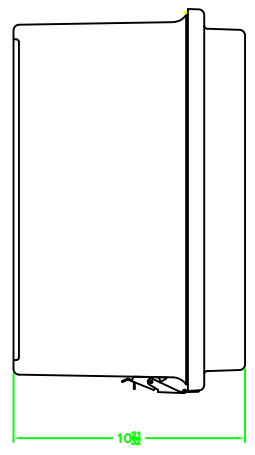
23376



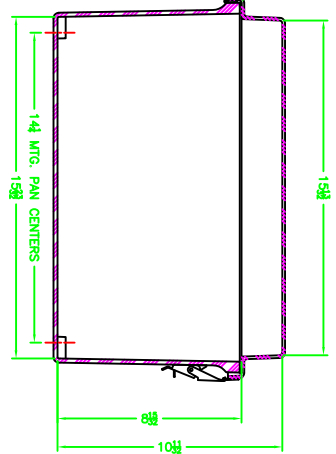
SECTION B-B



#0-32 X 5/16 BRASS INSERT (4) PLACES



URETHANE GASKET



SECTION A-A

NATIONAL SERVICE CENTER ADAPTECH A SCOTT KATZER COMPANY 15000 W. 10TH AVENUE DENVER, CO 80202-1000 TEL: 303.752.8000 FAX: 303.752.8001		MAX-FR-201610RCHQR TU 3-28-06 1-3 D	
MAX-FR-201610RCHQR 23376 10F1 1			

DATE	REV	BY	CHKD