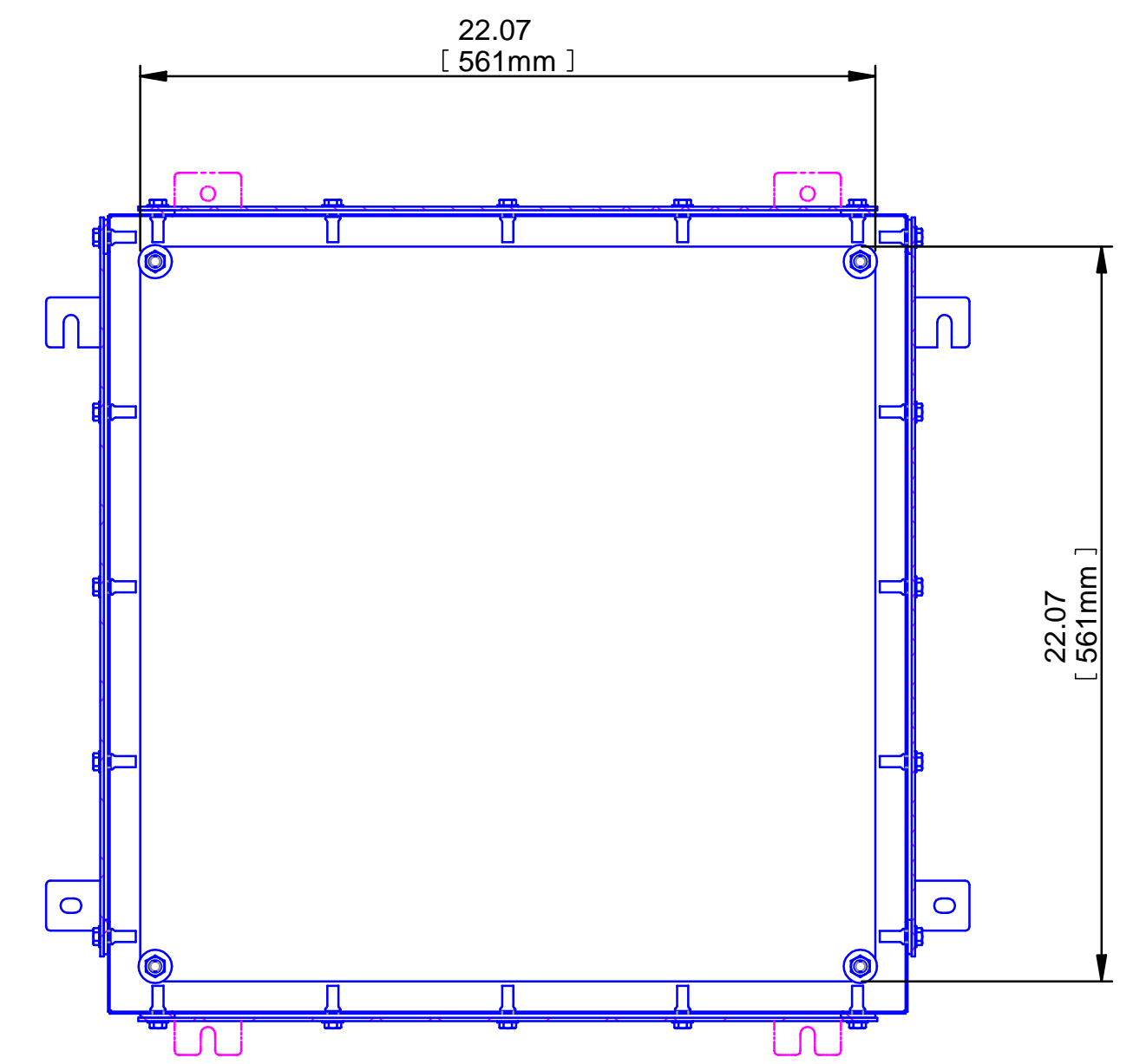
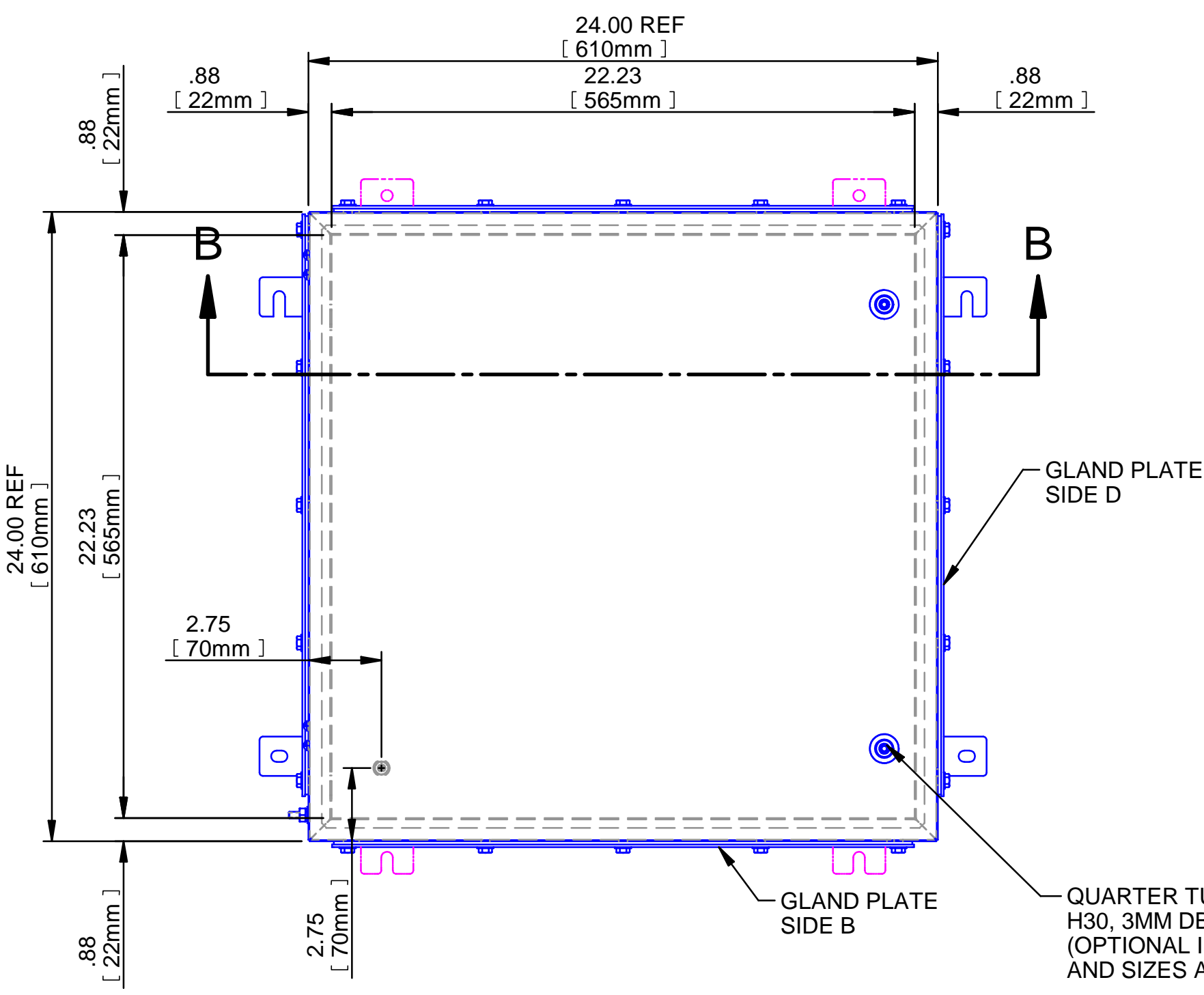
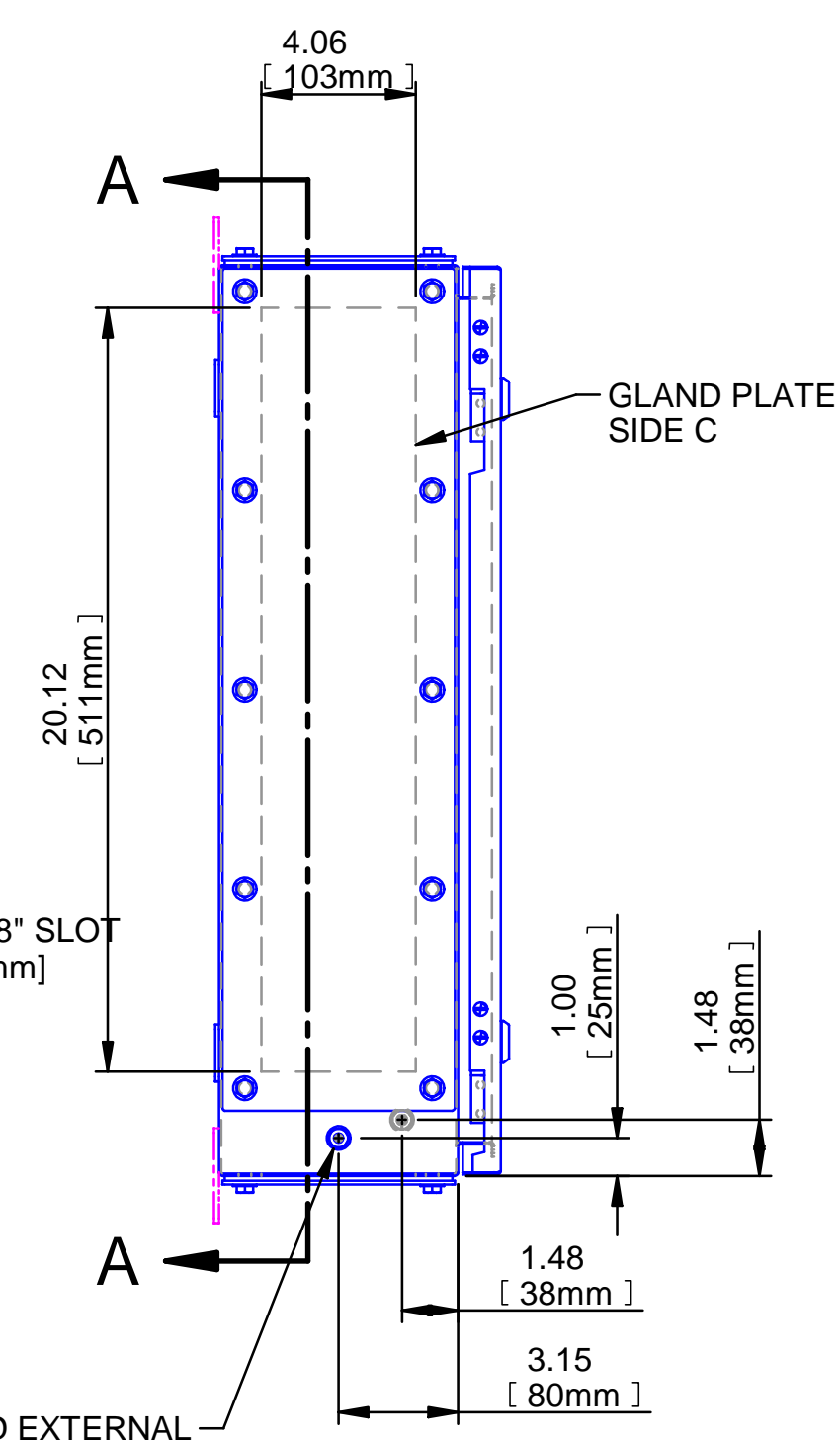
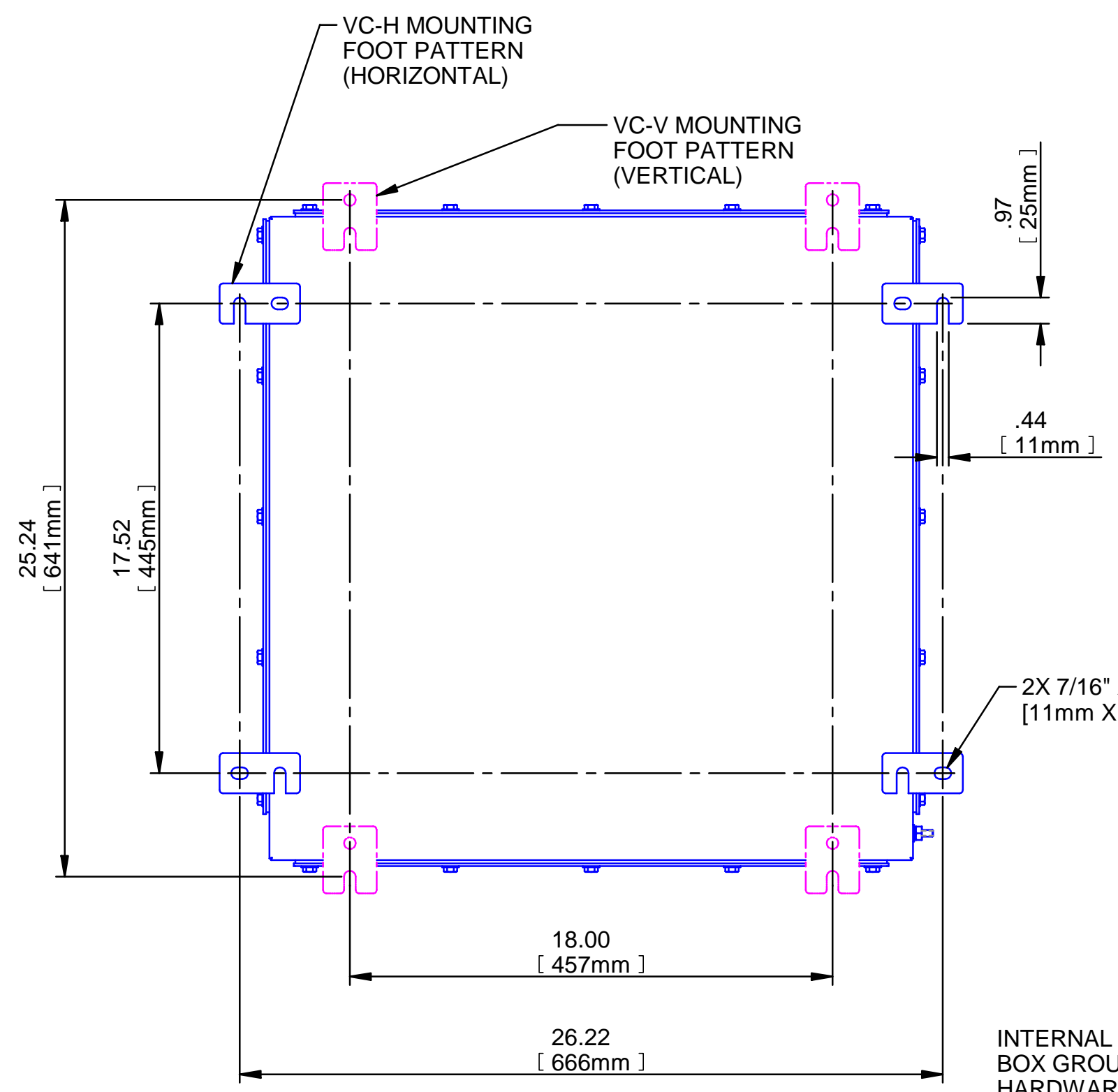
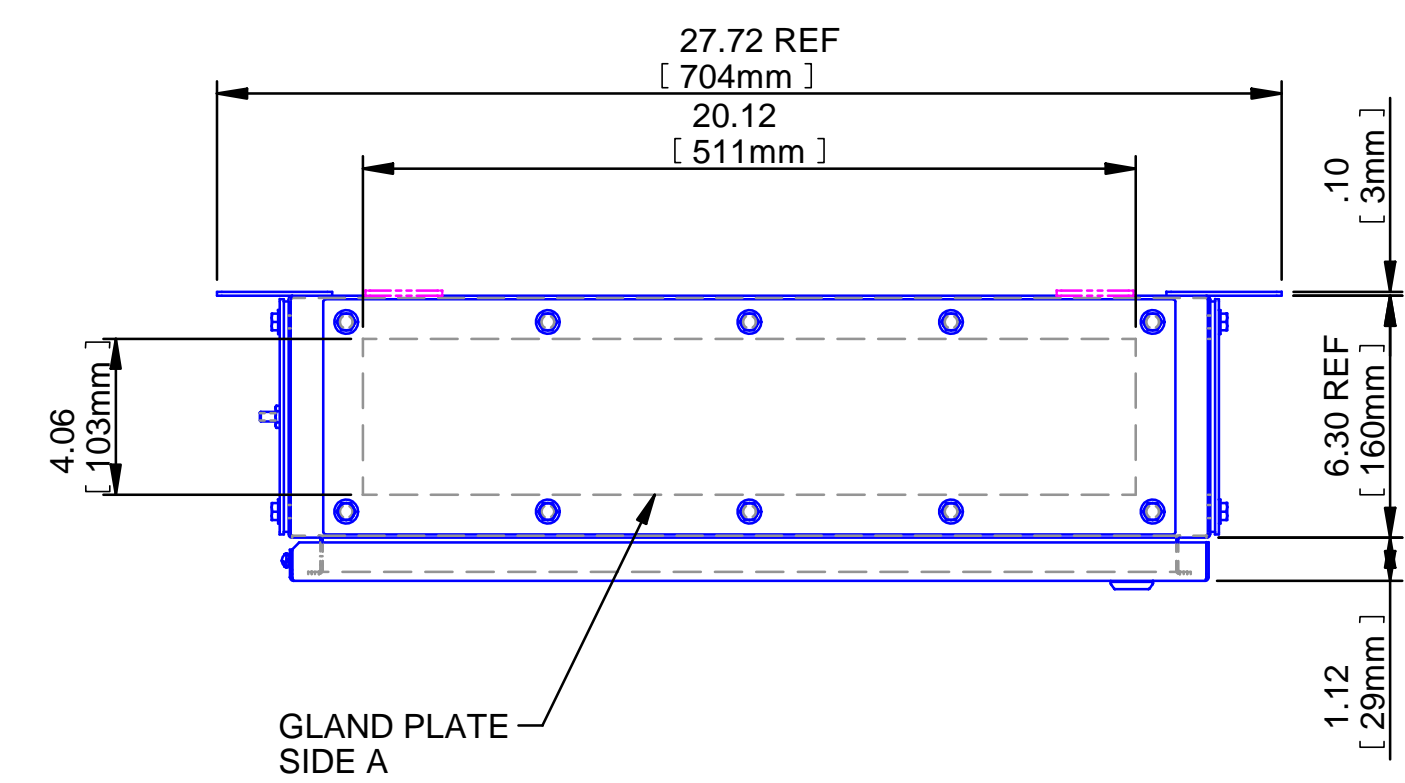
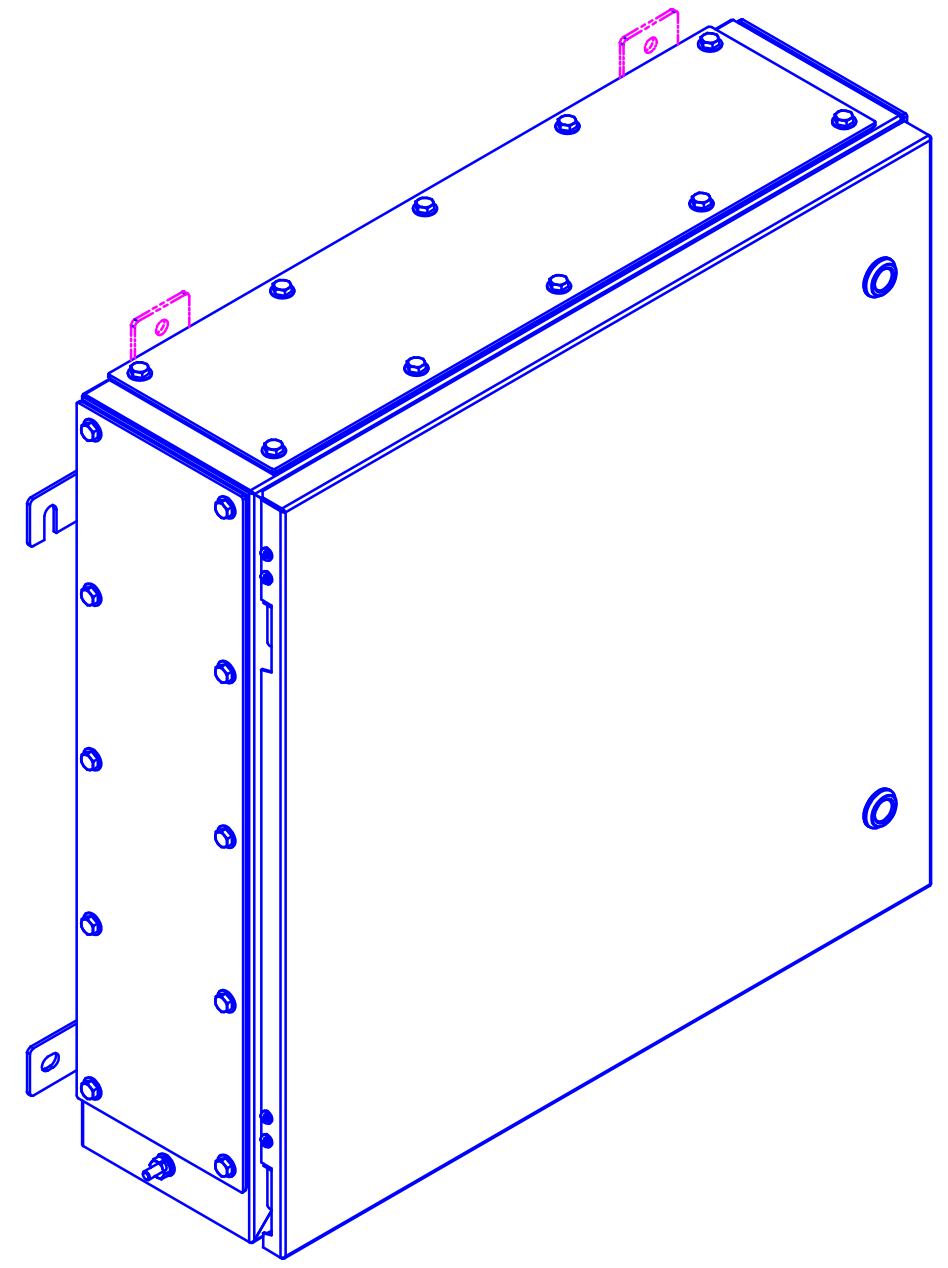


REV	REVISION	BY	ECN	DATE



SECTION A-A

SECTION B-B

QUARTER TURN, SS316, H30, 3MM DBL BIT (OPTIONAL INSERT TYPES AND SIZES AVAILABLE)

UNCONTROLLED DRAWING
(DATA SUBJECT TO CHANGE WITHOUT NOTICE)

DO NOT REVISE THIS DWG. IN AUTOCAD 3D GENERATED IN SOLID EDGE

DO NOT SCALE DRAWING
UNLESS OTHERWISE SPECIFIED DIMENSIONS ARE IN INCHES
CAST TOLERANCES ON DIMENSIONS NOT OTHERWISE SPECIFIED:
✓ 1/8" STOCK
DRAFT 1:1/2
FRACTIONAL ANGLES ± 1°
MACHINE TOLERANCES ON DIMENSIONS NOT OTHERWISE SPECIFIED:
✓ = 125 MIN
X ± .05
XXX ± .010"
FILLET RADI 0.05"
EDGE BREAK .035"-.015" R. or 45°
ANGLES ± 0°30'
TAGGING FOR THREADED HOLES NOT OTHERWISE SPECIFIED:
MPT E-212.6
NPSM E-241.0

ADALET
A SCOTT FETZER COMPANY
Enclosure Systems • Cable Accessories
Cleveland, OH 44135

NOTICE TO PERSONS RECEIVING THIS DRAWING:
ADALET-PLM CLAIMS PROPRIETARY RIGHTS IN THE MATERIAL DISCLOSED HEREIN. THIS DRAWING IS ISSUED IN CONFIDENCE FOR ENGINEERING INFORMATION ONLY AND MAY NOT BE REPRODUCED OR USED TO MANUFACTURE ANYTHING SHOWN HEREON WITHOUT DIRECT WRITTEN PERMISSION FROM ADALET-PLM TO THE USER.

MATERIAL: _____
FINISH: _____
CAT NO: _____

TITLE		DATE	
VC-242406 INCREASED SAFETY ENCLOSURE CUSTOMER OUTLINE DRAWING		12/4/2008	
DRAWN BY	DMS	ENG APPROVAL	PLOT SCALE
MFG APPROVAL		DWG SIZE	D
DWG NO		SHT	REV