

XIH (Standard) SERIES

3-3/16" ID Enclosure Single Ended Housing

STANDARD FEATURES

- 1/2" or 3/4" NPT conduit feed-through hubs, offset for maximum clearance and capacity
- Four interior mounting bosses at 45° orientation accommodate blind tapped holes on a 2-1/2" bolt circle
- Internal and external ground screws and tamper resistant cover set screw for extra safety
- Choice of solid covers or 2-5/8" diameter tempered glass window for local read out or display
- Buna-Nitrile rubber gasket for NEMA Type 4X watertight applications
- Corrosion resistant, "safety blue" polyester powder coating (other colors available)
- Stainless steel hardware

DESIGN OPTIONS

- 1/4"-20 UNC holes in front boss for bracket mounting
- Front boss modifications: 1/2" or 3/4" NPT & various NPSM & metric entries available in place of standard 1/2" NPT (consult factory)
- Mounting lugs with 5/16" holes (add suffix "L" to catalog number)
- Powder or epoxy coatings to match company color scheme
- Cast-on logos
- Custom drilling & tapping modifications
- Interior mounting bosses



XIHX - DOMESTIC RATINGS:

DIVISION RATINGS:

CLASSIFIED

CLASS I, DIV 1 GROUP BCD

CLASS II, DIV 1 GROUPS EFG

CLASS III

TYPE 4X

UL1203; CSA C22.2 No. 30 & CSA C22.2 No. 25




XIHX - GLOBAL RATINGS (OPTIONAL):

ZONE RATINGS:

ATEX (FLAMEPROOF – DEMKO)

II 2G  Ex d IIC

II 2 D  Ex tD A20

IP66

IECEX (FLAMEPROOF – UL)

Ex d IIC

IP66

EN60079-0, EN60079-1

EN61241-0, EN61241-1

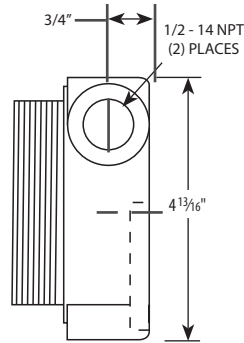
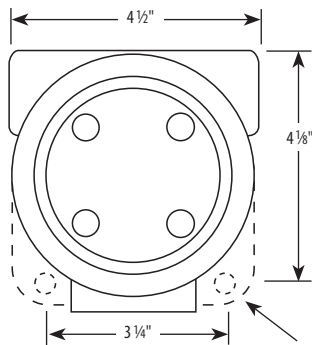
EN60529

IEC60079-0 & IEC60079-1

IEC60529

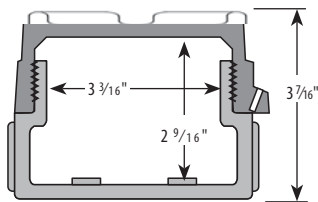
NOTE: AN EXTENDED TEMPERATURE RANGE APPLIES TO ATEX AND IECEX RATINGS ONLY (-50° C TO +85° C AMBIENT)

XIH (Standard) SERIES



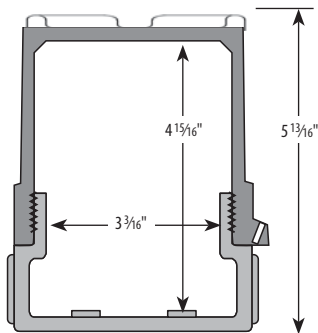
Optional Mounting Lugs (2)
with 5/16" diameter holes

Solid Cover Arrangements



FLAT SOLID COVER

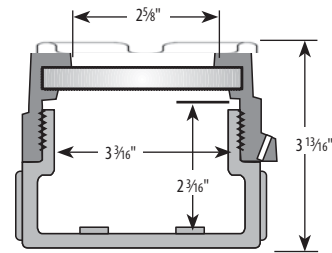
| Catalog Number | Description |
|----------------|---------------------------|
| XIHFCX2 | Flat Cover, 1/2" NPT Hubs |
| XIHFCX3 | Flat Cover, 3/4" NPT Hubs |



DOME SOLID COVER

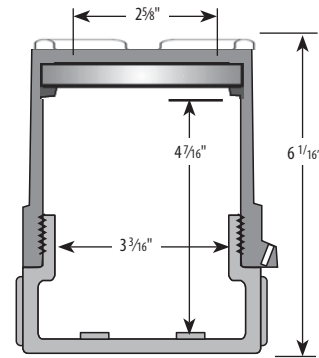
| Catalog Number | Description |
|----------------|---------------------------|
| XIHDCX2 | Dome Cover, 1/2" NPT Hubs |
| XIHDCX3 | Dome Cover, 3/4" NPT Hubs |

Glass Cover Arrangements



FLAT GLASS COVER

| Catalog Number | Description |
|----------------|---------------------------------|
| XIHFGCX2 | Flat Glass Cover, 1/2" NPT Hubs |
| XIHFGCX3 | Flat Glass Cover, 3/4" NPT Hubs |



DOME GLASS COVER

| Catalog Number | Description |
|----------------|---------------------------------|
| XIHDCGX2 | Dome Glass Cover, 1/2" NPT Hubs |
| XIHDCGX3 | Dome Glass Cover, 3/4" NPT Hubs |

EXPLOSIONPROOF
Instrument Housings