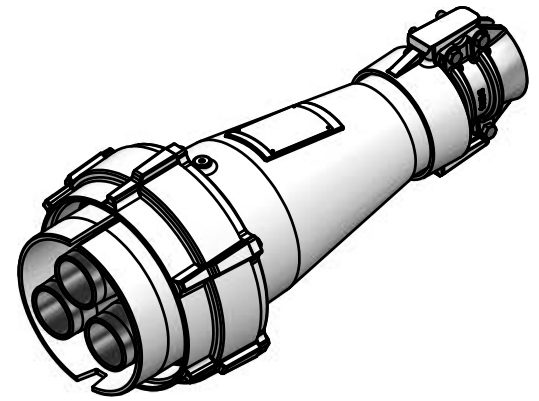
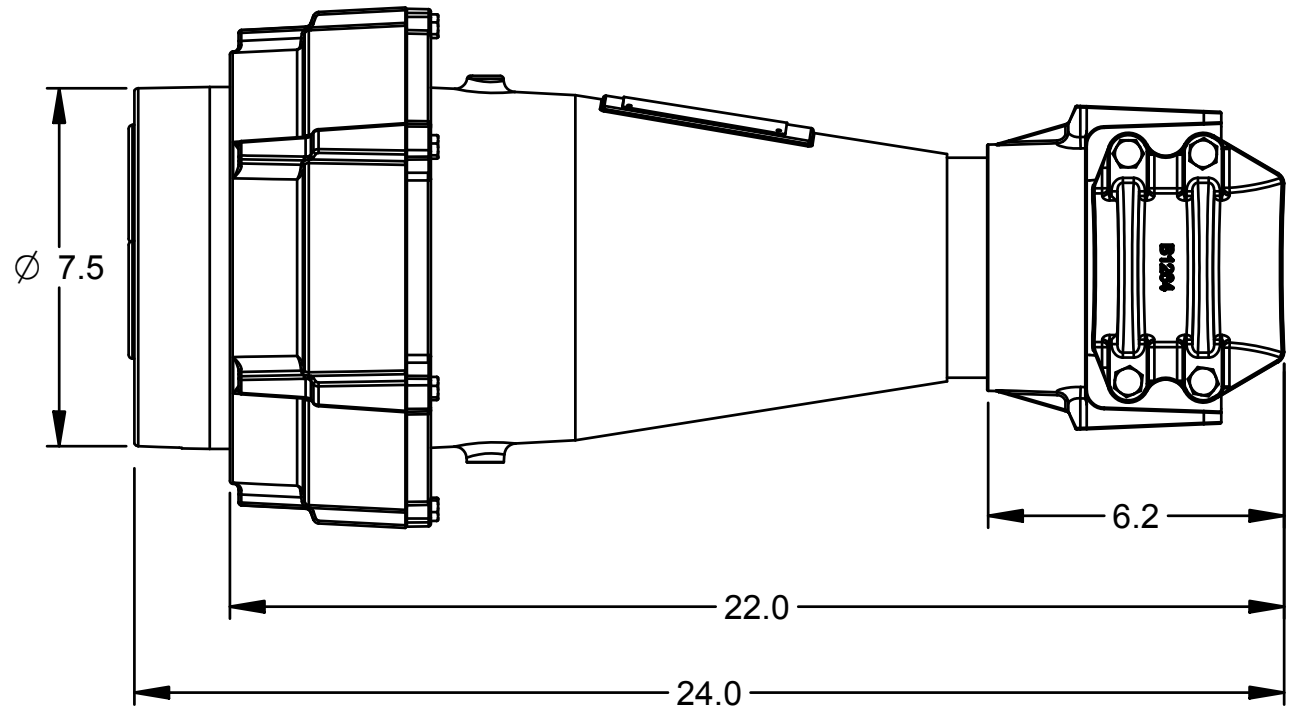
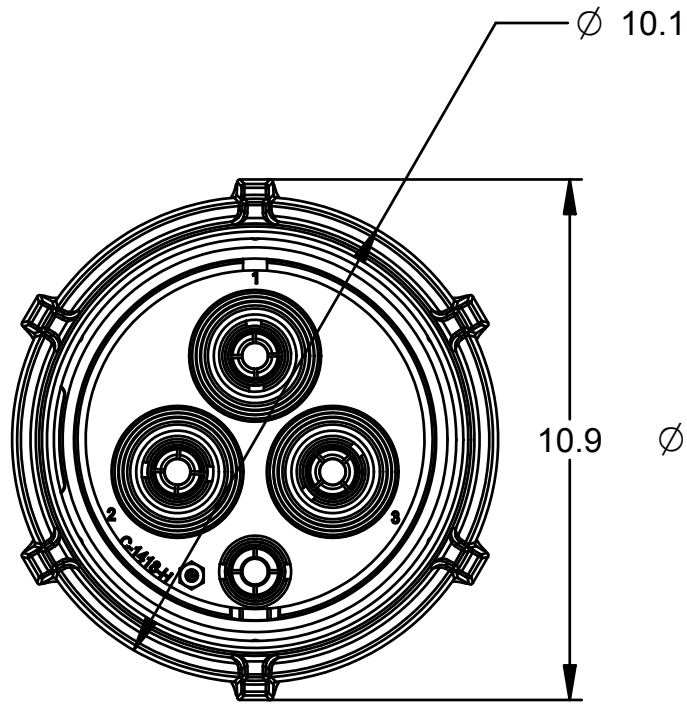



NOTE: THIS DRAWING ALSO APPLIES TO THE
QPML-415A AND TPML-415A MODELS



1:8



SCALE = 1:4
DIMENSIONS ARE IN INCHES

 NOTICE TO PERSONS RECEIVING THIS DRAWING:
ADALET-PLM CLAIMS PROPRIETARY RIGHTS IN THE MATERIAL
DISCLOSED HEREON. THIS DRAWING IS ISSUED IN CONFIDENCE
FOR ENGINEERING INFORMATION ONLY AND MAY NOT BE REPRODUCED
OR USED TO MANUFACTURE ANYTHING SHOWN HEREON WITHOUT
DIRECT WRITTEN PERMISSION FROM ADALET-PLM TO THE USER.

ADALET
A SCOTT FETZER COMPANY
Enclosure Systems • Cable Accessories
Cleveland, OH 44135

TITLE
PML-415A