

INSTRUMENT HOUSINGS

XIHM Series - 3 9/16" ID Enclosures (standard) 3 5/8" ID Enclosures (available see note*)

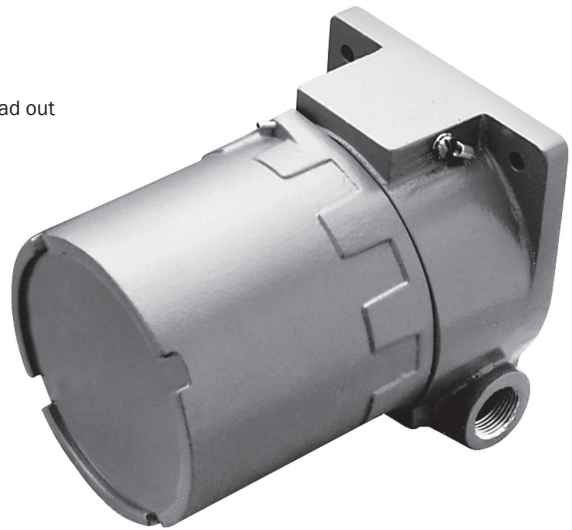
SINGLE ENDED HOUSING - XIHM housings accommodate large diameter assemblies, multi-level circuit boards or wide angle readouts and displays. The 3 9/16" ID provides maximum clearance to facilitate instrument mounting, calibration or service. Precision machined from sand-cast, copper-free aluminum.

STANDARD FEATURES

- 3/4" NPT conduit feed-through hubs offset for maximum clearance and capacity.
- 7/16" thick base for blind tapped instrument mounting holes in any location
- Glass cover models have a large 2-5/8" diameter, tempered glass window for local read out
- 60° chamfer on window opening provides enhanced viewing angle
- Buna-Nitrile rubber gasket for NEMA Type 4X watertight applications
- Front boss for bracket mounting or for use as additional conduit or sensor entry
- Corrosion resistant, "safety blue" polyester powder coating (other colors available)
- Internal and external ground screws and tamper resistant cover set screw
- Stainless steel hardware

DESIGN OPTIONS

- Mounting lugs with 5/16" holes (add suffix "L" to catalog number)
- Additional small hole drilling and tapping in the backwall for mounting of instrumentation
- 1/2" NPT or 3/4" NPT opening into back wall conduit, sensor or probe
- Front boss modifications: 1/2", 3/4" or 1" NPT; 1/2", 3/4" or 1" NPSM; or 20mm or 25mm for sensor, probe or conduit entry
- 1/2" NPT reducers are available - add suffix "2" to catalog number
- 1/4"-20 UNC holes in front boss for bracket mounting (consult factory for other sizes)



CERTIFICATIONS

XIH - Domestic Ratings

Classified
Class I, Div. 1, Groups B, C, D
Class II, Div. 1, Groups E, F, G
Class III
NEMA Type 4X
UL1203; CSA c22.2 No. 30 & CSA C22.2 No. 25

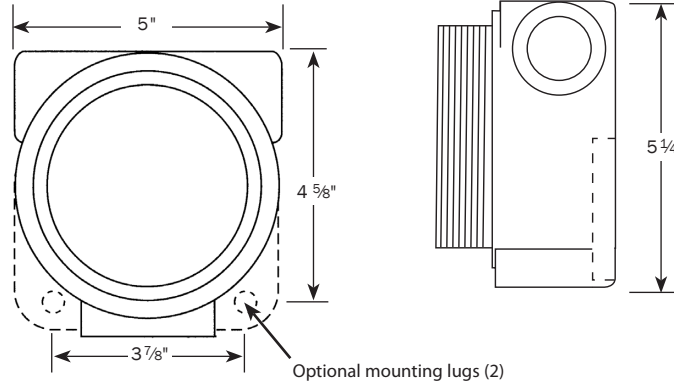
XIHX - Global Ratings (Optional)

ATEX	EN60079-0, EN60079-1
II 2G Ex d IIC	EN61241-0, EN61241-1
II 2D Ex tD A20	EN60529
IP66	
IECEx	IEC60079-0 & IEC60079-1
Ex d IIC	IEC60529
IP66	



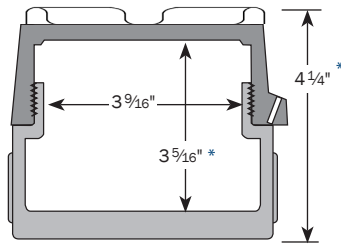
NOTE: An extended temperature range applies to ATEX and IECEx ratings only (-50° C to +85° C ambient)
*Throat diameter can be increased to 3 5/8" - please consult factory

INSTRUMENT HOUSINGS



Optional mounting lugs (2)

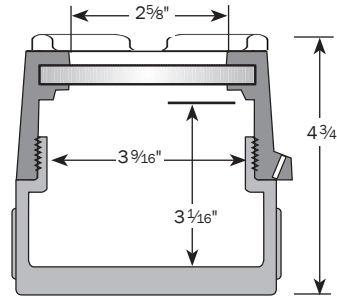
Solid Cover Arrangements



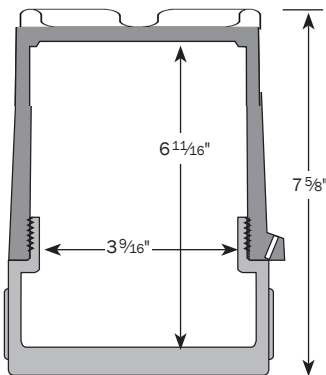
* Midsize solid cover available, add 11/16" to above dimensions

SOLID COVER	
Catalog Number	Description
XIHMFCX	Flat Cover, 3/4" NPT Hubs
XIHMMCX	Mid Size Cover, 3/4" NPT Hubs

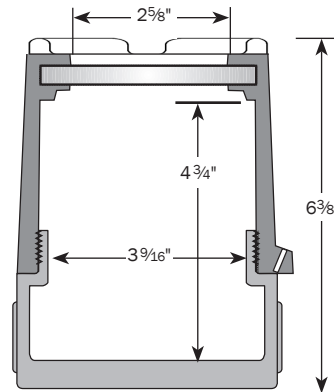
Glass Cover Arrangements



GLASS COVER	
Catalog Number	Description
XIHMFGCX	Flat Glass Cover, 3/4" NPT Hubs



SOLID COVER	
Catalog Number	Description
XIHMDCX	Dome Cover, 3/4" NPT Hubs



GLASS COVER	
Catalog Number	Description
XIHMDGCX	Dome Glass Cover, 3/4" NPT Hubs

EXPLOSIONPROOF
INSTRUMENT HOUSINGS