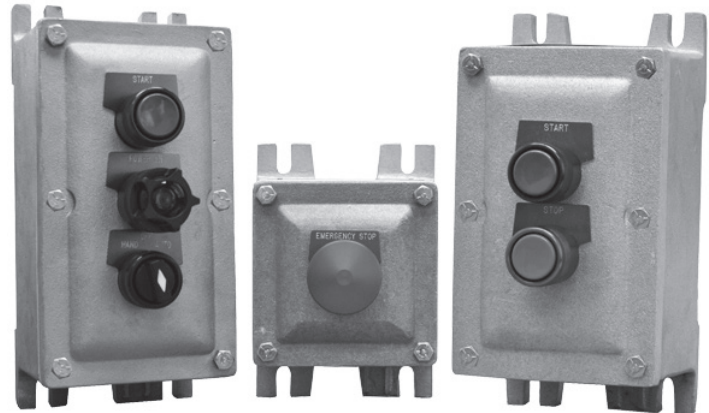


Explosionproof Control Station

STANDARD FEATURES

- Lightweight, corrosion-resistant, copper-free aluminum alloy (0.3% max copper content)
- All operating shafts are stainless steel for corrosion resistance
- Durable cast on lugs cannot get lost
- Ground screw is highly visible and accessible
- Uniform wall thickness (not ribbed) for versatility of conduit openings assuring 5 full threads engagement and maximum available area for conduit drilling and tapping.
- Operators may be mounted through back wall for panel mounting
- Box depth provides for the stacking of 2 contact blocks
- Anodized aluminum operators install easily in the field

EXPLOSIONPROOF
ENCLOSURES**Table A2 - CONTROL STATION BOXES**

# of Operators	Surface Mount*	Panel Mount*	Std. Cond. Size (in)
1	X1	X1P	¾
2	X2	X2P	¾
3	X3	X3P	¾
4	X4	X4P	1
5	X5	X5P	1 ¼
6	X6	X6P	1 ¼
7	X7	X7P	1 ¼
8	X8	X8P	1 ¼
12	X12	X12P	1 ½
15	X15	X15P	1 ½
18	X18	X18P	1 ½

* Panel Mount: Operators mounted in back, add P to operator suffix

* Surface Mount: Operators mounted in cover

NOTE: All operators holes are 3/4" - 14 NPSM

Table B2 - PILOT LIGHTS & LIGHTED PUSHBUTTON (SURFACE MOUNT)

Lens Color	SUFFIX NOS. FOR 120V PILOT LIGHTS		
	Guarded Candelabra Base XL	Guarded Slide Base XLS	Lighted Pushbutton** Unguarded XLP
Amber	337	343	30
Blue	338	344	35
Clear	339	345	40
Green	340	346	45
Red	341	347	50
White	342	348	55

CERTIFICATIONS

Class I, Division 1, Groups C & D
Class II, Groups E, F, GFor Type 4 or special machining options - see XIFC Series.
Listed enclosures must use Adalet auxiliary devices only

**CSA certified products require guarded pilot devices

CONTROL STATION

Box & Suffix Numbers

Table C2 - PILOT LIGHTS & LIGHTED PUSHBUTTON (SURFACE MOUNT)

Contact Block / Cam	SUFFIX NOS. FOR 120V PILOT LIGHTS						KEY SWITCH SUFFIX NUMBERS			
	Standard Selector Switch XHSS	Selector Switch w/ Padlock XHSSPL	Spring Ret. Center from R & L XHSSC	Spring Ret. Center from R XHSSR	Spring Ret. Center from L XHSSL	Standard Key Switch XHKS	Spring Ret. Center from R & L XHKSCL	Spring Ret. Center from R XHKSRR	Spring Ret. Center from L XHKSLL	
BT1A/1 NO NC	XO OX	6	283	-	-	-	82	-	-	-
BT1B/1 NC NO	OX XO	7	284	-	-	-	83	-	-	-
BT2/1 NO NO	OX OX	8	285	-	-	-	84	-	-	-
BT3/1 NC NC	XO XO	9	286	-	-	-	85	-	-	-
BT2/3 NO NO	XOO OOX	10	293	111	135	159	86	229	249	269
BT1B/2 NC NO	XOX XOX	11	288	112	136	160	87	224	244	264
BT2/2 NO NO	XOX OOX	12	289	113	137	161	88	225	245	265
BT3/2 NC NC	OXO XOX	13	290	114	138	162	89	226	246	266
BT3/3 NC NC	OOX XOX	14	294	115	139	163	90	230	250	270
BT1A/2 NO NC	OXO OOX	15	287	116	140	164	91	223	243	263
BT1A/3 NO NC	OOX OOX	16	291	117	141	165	92	227	247	267
BT1B/3 NC NO	XOO XOX	17	292	118	142	166	93	228	248	268

Table D2 - CONTROL STATION BOXES

Contact Block	Contact Style	Momentary Pushbutton XHPBS	Momentary Pushbutton w/Padlock XHPBS	Mushroom Head Momentary ¹ XHPBMS	Dual Pushbutton ¹ Momentary XHDPBS	Dual Pushbutton ¹ w/Lockout XHDPBSPL	Dual Pushbutton ² Maint XHDMCS	Dual Pushbutton ² Maint w/Lock XHDMCSPL
BT1A	1NO/1NC	1	307	106	72	322	77	327
BT2	2NO	2	308	107	73	323	78	328
BT3	2NC	3	309	108	74	324	79	329
BT4	1NO	4	310	109	-	-	-	-
BT5	1NC	5	311	110	-	-	-	-

¹ Standard knob is red. Black and green available.

² Standard with one green knob labeled "start" and one red knob labeled "stop". Unlabeled black knobs available.

Pushbuttons furnished with black collars and knobs as standard. Optional knobs: green, red. Optional colors: blue, green, gold or red. Maintained, push-pull operator available, but requires special spacing. Consult factory.

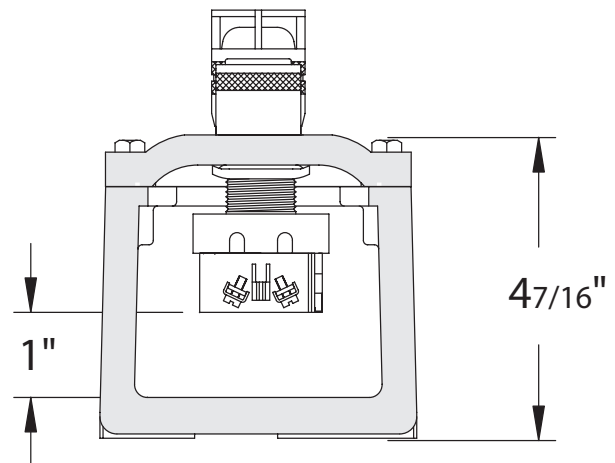
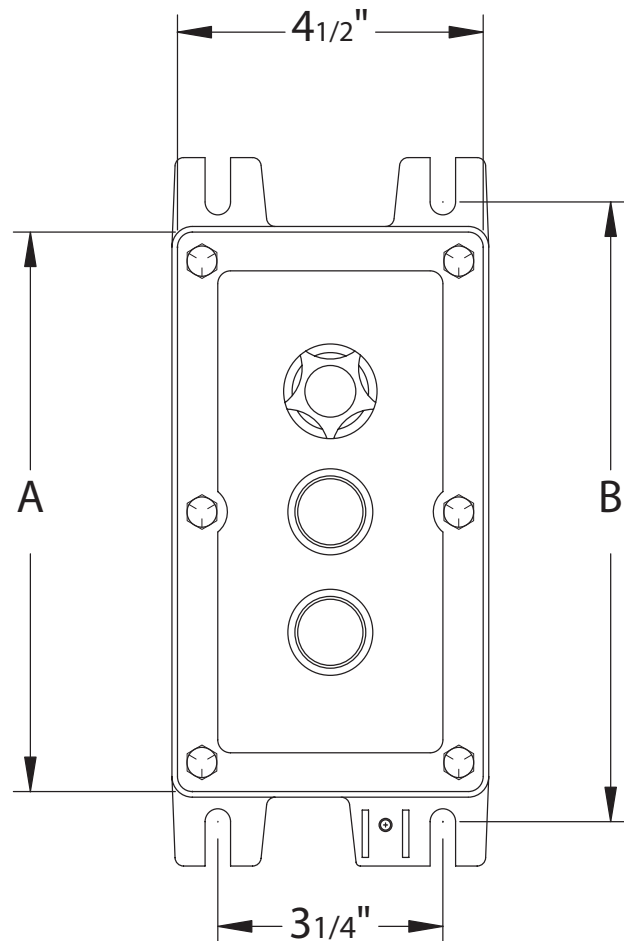
Other pilot devices available - consult factory

CONTROL STATION**Control Station****DIMENSIONS**

Enclosure	Nom. Inside Dimensions	Dimensions		Est. Weight (lbs)	Std. Conduit* Size (in.)
		A	B		
X1	030303	4 ½	5 ½	5	¾
X2	030603	7 ¼	8	7	¾
X3	030703	8 ½	9	8	¾
X4	030903	10 ¼	11	10	1
X5	031103	12 ¼	13	11	1 ¼
X6	031303	14 ¼	15	12	1 ¼
X7	031503	16	17	13	1 ¼
X8	031803	19	20	16	1 ¼
X12	032403	25 ¼	26	21	1 ½
X15	033003	31 ½	32 ½	28	1 ½
X18	033603	37 ¼	38 ½	33	1 ½

Control stations have conduit openings centered on top and bottom.

*Consult factory for other conduit sizes



Control Station

Ordering Information

To order control stations, determine the number of operators required. Select the control station box by operator quantity and mounting type from Table A2. Order operators by suffix numbers from Tables B2, C2 and D2. Add suffix numbers to box number and separate by dashes. All operator holes must be filled. Use suffix "0" for plugs to fill unused space. Installation of operators will be made from top to bottom in sequence as listed. Select optional legend plates from Table F2 below.

Table F2 - STANDARD MARKING

PUSHBUTTON / PILOT LIGHTS			SELECTOR SWITCHES	
Blank	Slow	Reset	Run-Jog	Open-Off-Close
Start	Open	In	Hand-Auto	Fast-Off-Slow
Inch	Close	Out	Forward - Reverse	Run-Auto-Jog
Stop	Up	Left	Fast-Slow	Hand-Off-Auto
Run	Jog	Right	Open-Close	Forward-Off-Reverse
Forward	On	Low	Up-Down	1-Off-2
Reverse	Off	High	Off-On	Up-Off-Down
Fast	Back	Down		
		E-Stop		

Legend plates are anodized aluminum with engraved letters on black background
 Stop has red and start has green background
 Special engraved legend plates can be supplied

Contact Ratings

MAX RATING: TYPE BT CONTACT BLOCKS

VOLTS		AC				DC			
		110	220	440	550	24/28	120	240	600
Make & Energy Interrupting Capacity	A	60	30	15	12	5.7	1.1	0.5	0.2
Normal Load Break	A	6	3	1.5	1.2	5.7	1.1	0.5	0.2
Continuous Current	A	10	10	10	10	5.	10.	10.	10.5