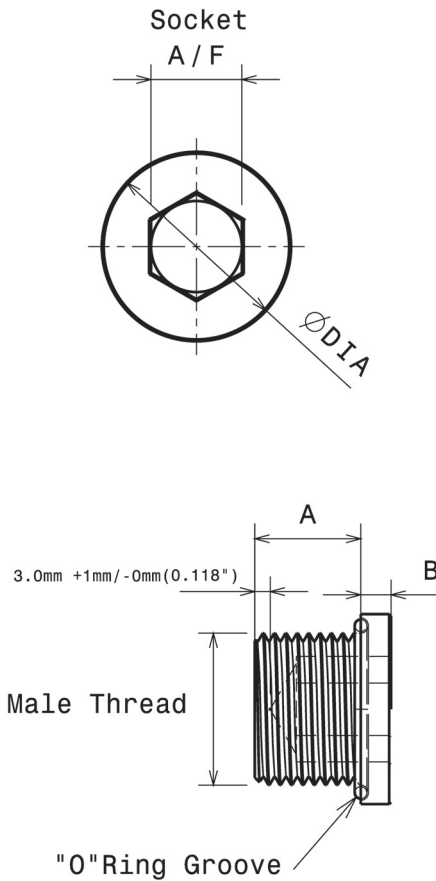


# Type 'U' Close-Up Plugs

INCREASED SAFETY ENCLOSURES

**STANDARD FEATURES**

- Used to seal unused cable gland or conduit entries in Exe approved enclosures, maintaining the hazardous location certification and the overall integrity of the installation.



**PART NUMBER BUILD**

BASE CATALOG NUMBER: **U5 20 S NT**

**O-RING**  
Nitrile (std.) - NT  
Silicone - SC

**MATERIAL**  
Nickel Plated Brass - N  
316 Stainless Steel - SC

THREAD DESIGNATION						
METRIC	NPT	NPS	ISO	ISO	ET	PG
16	½	½S	½P	½T	½E	7
20	¾	¾S	¾P	¾T	¾E	9
25	1	1S	1P	1T	1E	11
32	1¼	1¼S	1¼P	1¼T	1¼E	13
40	1½	1½S	1½P	1½T	1½E	16P
50	2	2S	2P	2T	2E	21
63	2½	2½S	2½P	2½T	2½E	29
75	3	2S	3P	3T	3E	36
80	3½	3½S	3½P	3½T		42
85	4	4S	4P	4T		48
90	Note: Metric sizes M80 and larger are 2.0mm					
95	pitch is Standard, for 1.5mm pitch add *					
100						

**CERTIFICATIONS**

Class I, Div 1, Groups A, B, C & D  
AExd IIC / AExe II Class I, Zone 1  
II 2 GD Exd IIC / Exe II category 2 & 3  
CSA Standard C22.2 No. 30



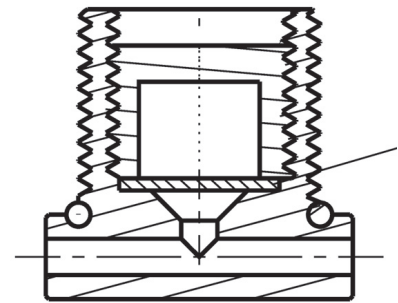
# Combination Breather / Drains

## STANDARD FEATURES

- Allows the air inside an Ex e Flameproof or Class I, Div 1 enclosure to breathe with the surrounding atmosphere
- Allows any moisture that enters the enclosure to drain while maintaining the overall integrity of the installation
- 7Nm impact resistance
- Thread Gauging - Other thread forms available on applications
  - Metric: 1.5mm Pitch - Medium Fit 6g
  - NPT: Male L1 +/- Turn
- Certified for Exe clearance hole applications where the castellated nut is used to secure the installation

## MATERIAL

- Nickel Plated Brass "N" (-50° to +80° C)
- 316 Stainless Steel "S" (-50° to +80° C)
- O Ring Options - Nitrile (-30° to +80° C)
  - Silicone (-50° to 80° C)
- Nitrile O Ring supplied as a standard on versions with parallel male threads



Be Series

## CERTIFICATIONS

IECEX  
Ex e II  
Ex tD A21 IP66  
ATEX II 2 G D  
Ex tb IIIC Db IP66

Canada  
DIP A21



## Part Number Structure

Example - Be.20.N.NT

- Type Be Breather Drain
- M20 Male Thread
- Nickel Plated Brass
- Nitrile O Ring

THREAD DESIGNATION						
METRIC	NPT	NPS	ISO	ISO	ET	PG
20	1/2	1/2S	1/2P	1/2T	3/4E	13
25	3/4	3/4S	3/4P	3/4T	1E	16P

PART NUMBER BUILD: Be 20 N NT

BASE CATALOG NUMBER: Be 20

MATERIAL: Nickel Plated Brass - N, 316 Stainless Steel - S

O-RING: Nitrile (std.) - NT, Silicone - SC

## Inner Panels

TSC SERIES - 14 Ga. (.075) Steel, White Polyester Powder Coat Finish		
CATALOG NUMBER	FOR ENCLOSURE	PANEL SIZE (H X W)
05P05	5 x 5	3 7/8 x 3 7/8
06P04	6 x 4	4 7/8 x 2 7/8
06P06	6 x 6	4 7/8 x 4 7/8
07P07	7 x 7	5 7/8 x 5 7/8
08P06	8 x 6	6 7/8 x 4 7/8
08P08	8 x 8	6 7/8 x 6 7/8
10P08	10 x 8	8 7/8 x 6 7/8
10P10	10 x 10	8 7/8 x 8 7/8
12P06	12 x 6	10 7/8 x 4 7/8
12P08	12 X 8	10 7/8 x 6 7/8
12P10	12 x 10	10 7/8 x 8 7/8
12P12	12 x 12	10 7/8 x 10 7/8
14P08	14 x 8	12 7/8 x 6 7/8
14P12	14 x 12	12 7/8 x 10 7/8
15P15	15 x 15	13 7/8 x 13 7/8
16P12	16 x 12	14 7/8 x 10 7/8
16P14	16 x 14	14 7/8 x 12 7/8
16P16	16 x 16	14 7/8 x 14 7/8

TN & CN SERIES -12 Ga. (.1054) Steel, White Polyester Powder Coat Finish		
CATALOG NUMBER	FOR ENCLOSURE	PANEL SIZE (H X W)
V-1212	12 x 12	9 x 9
V-1612	16 x 12	13 x 9
V-1616	16 x 16	13 x 13
V-2012	20 x 12	17 x 19
V-2016	20 x 16 (16 x 20)	17 x 13
V-2020	20 x 20	17 x 17
V-2412	24 x 12 (12 x 24)	21 x 9
V-2416	24 x 16	21 x 13
V-2420	24 x 20 (20 x 24)	21 x 17
V-2424	24 x 24	21 x 21
V-3016	30 x 16	27 x 13
V-3020	30 x 20	27 x 17
V-3024	30 x 24 (24 x 30)	27 x 21
V-3030	30 x 30	27 x 27
V-3624	36 x 24	33 x 21
V-3630	36 x 30 (30 x 36)	33 x 27
V-3636	36 x 36	33 x 33
V-4224	42 x 24	35 x 21
V-4230	42 x 30	39 x 27
V-4236	42 x 36	39 x 33
V-4824	48 x 24	45 x 21
V-4830	48 x 30	42 x 27
V-4836	48 x 36	45 x 33
V-6036	60 x 36	57 x 33

## Data Pockets

Data pockets are used inside of the enclosure to provide space to store wiring diagrams, operation manuals and other pertinent data. Molded from polystyrene and mounted with double sided tape (provided).

DATA POCKETS	
CATALOG NUMBER	DESCRIPTION
M1657	6" x 6" x 1"
M3547	10" x 10" x 1"
M3534	12" x 12" x 2.75"

## Drip Shield

Drip shields protect door hardware from dripping water and settling dust.

**Factory installed only. For use with TN & CN Series Enclosures only.**

DRIP SHIELDS	
CATALOG NUMBER	DESCRIPTION
DS12	for 12" wide enclosures
DS16	for 16" wide enclosures
DS20	for 20" wide enclosures
DS24	for 24" wide enclosures
DS30	for 30" wide enclosures
DS36	for 36" wide enclosures

## Labels / Legend Plates

Labels and legend plates are used to identify enclosures and/or operating devices. Available in 3-ply laminated plastic or anodized aluminum. Labels and legend plates are laser engraved for permanent and quality appearance.

Custom engraving available for sheet sizes up to 12" x 24" sheets.

To order: Specify size and text engraving instructions. For laminated plastic, please specify face color and letter color. For custom artwork engineering, consult factory.

### INNER PANEL NOTES

1. For stainless steel 316L mounting panels add suffix -SS6 to catalog number.
2. Custom sizes and panels fabricated from stainless steel, painted carbon steel and aluminum are available. Consult factory.