

INSTRUMENT HOUSINGS

XIHNS Series - 4 1/16" ID Enclosures (Stainless Steel)

The new XIHNS next generation stainless steel, explosionproof instrument enclosure features a new, updated design and various features, options and approvals. The 316L investment cast, stainless steel housing is ideal for rugged or explosionproof applications where severe corrosion exists. The modern, contour design provides an updated look for OEM applications housing sensitive instrumentation such as measurement devices, transmitters, multi-level circuit boards, or wide angle readouts and displays.

EXPLOSIONPROOF
INSTRUMENT HOUSINGS

STANDARD FEATURES

- Modern contour design provides updated look for OEM instrument products
- Investment casting provides superior finish
- Removable internal mounting panel for convenient field drilling & tapping of mounting holes
- Up to five conduit entries – most on the market / Three 3/4" NPT conduit entries are standard
- Two cast-on mounting tabs, centered, with an optional 3rd tab for heavy vibration applications
- Generous front boss allows for optional bracket holes or larger conduit entry (up to 1-1/4" NPT)
- Bored throat opening provides superior concentricity – 4" diameter
- Two solid and two glass covers are available to accommodate various depth instruments.
- Glass covers feature 3.31" viewing window diameter
- Glass covers feature low profile / tab free retaining ring for maximum instrument clearance
- Internal / external grounding hardware
- Global certifications: UL, cUL, ATEX, and IECEx

DESIGN OPTIONS

- 1/4"-20 UNC holes in front boss for bracket mounting
- Front boss modifications: 1/2", 3/4" or 1" NPT and various NPSM & metric entries
- 1/2" NPT reducers available (add suffix "2" to catalog number)
- Custom drilling & tapping in mounting pan
- Backwall NPT entry in lieu of mounting pan



CERTIFICATIONS

XIH - Domestic Ratings

Classified
Class I, Div. 1, Groups B, C, D
Class II, Div. 1, Groups E, F, G
Class III
NEMA Type 4X
UL1203; CSA c22.2 No. 30
& CSA C22.2 No. 25

XIHX - Global Ratings (Optional)

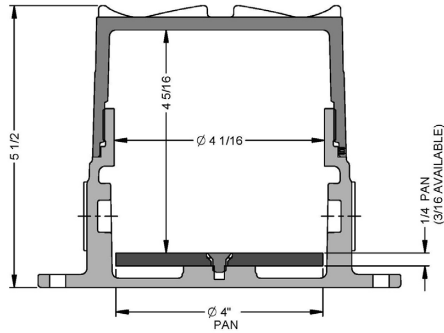
ATEX
II 2G Ex d IIC
II 2D Ex tD A20
IP66
IECEx
Ex d IIC
IP66

EN60079-0, EN60079-1
EN61241-0, EN61241-1
EN60529
IEC60079-0 & IEC60079-1
IEC60529



NOTE: An extended temperature range applies to ATEX and IECEx ratings only (-50° C to +85° C ambient)

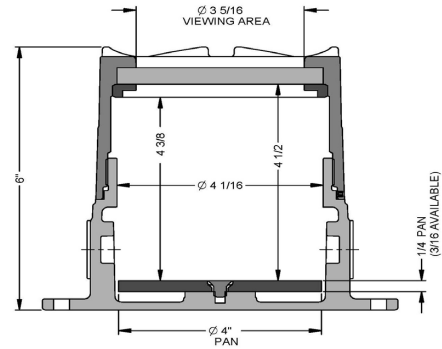
Solid Cover Arrangements



SOLID COVER

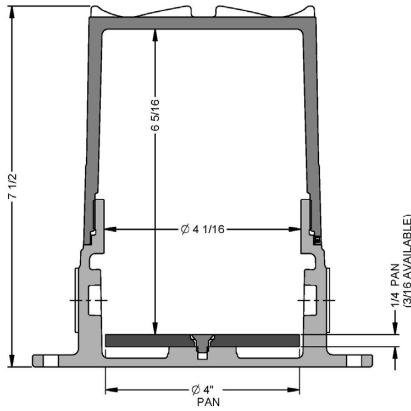
CATALOG NUMBER	DESCRIPTION
XIHNSFCX	Flat Cover, 3/4" NPT Hubs

Glass Cover Arrangements



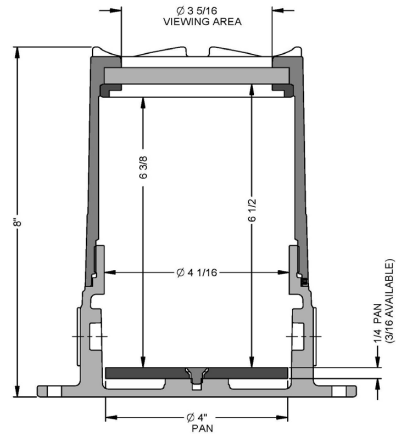
GLASS COVER

CATALOG NUMBER	DESCRIPTION
XIHNSFGCX	Flat Glass Cover, 3/4" NPT Hubs



SOLID COVER

CATALOG NUMBER	DESCRIPTION
XIHNSDCX	Dome Cover, 3/4" NPT Hubs



GLASS COVER

CATALOG NUMBER	DESCRIPTION
XIHNSDGCX	Dome Glass Cover, 3/4" NPT Hubs