

X1PB: Explosionproof Panelboards

FEATURES

- Spring-loaded through the door circuit breaker handles for 1P, 2P, and 3P breakers
- Padlock provision for breaker handles
- Copper bus bars
- Aluminum hinge with stainless steel hardware
- Pre-drilled for Eaton PRL1A / PRL2A / PRL3A panelboard chassis
- Circuit directory card on front cover
- One-piece, NEMA 4 water-tight gasket
- Premium, high-strength stainless steel quick thread cover bolts
- Internal grounding provisions
- Breather & drain
- Cast-on mounting feet
- Tumbblast surface preparation for uniform, natural, aluminum finish
- Standard drilled & tapped conduit configurations

DESIGN OPTIONS

- Vertical main breaker, back fed main breaker, main lug only, or power panel configurations
- 120/240V / 120/208V and 277/480V versions
- 1P, 2P, or 3P bolt-on breakers
- 1P and 2P - 5mA and 30mA GFCI / EPD breakers
- Top or bottom feed
- Non-removable hinges
- Customer specified drilling and tapping
- Custom machining – milling, counter-boring, spot-facing, blind-tapped holes, etc
- UL Listed NNNY populated approvals
- Multiple coating options for additional corrosion resistance
- Breather / drain
- Close up plugs

MATERIAL

- Enclosures cast from proprietary 359 aluminum alloy
- Standard stainless steel cover bolts are 316L
- XSM Panels are #12 gauge galvanized steel (.108" thick)
- XSA Panels are #10 gauge aluminum (.100" thick)
- Hinge blocks are 359 aluminum, pins and hardware are 303 stainless steel

Certifications

Class I, Divisions 1 and 2, Groups B, C, and D

UL1203/CSA C22.2 No. 25 & 30

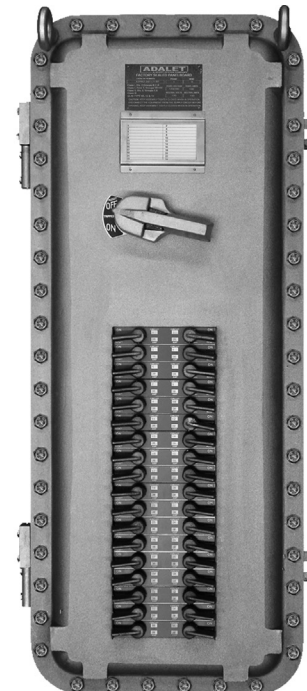
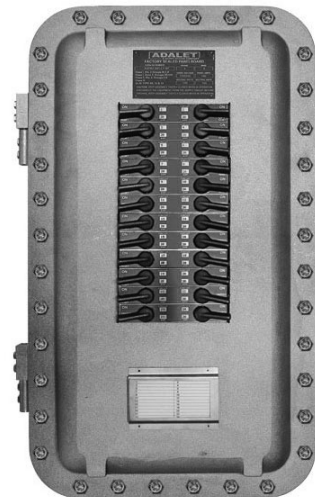
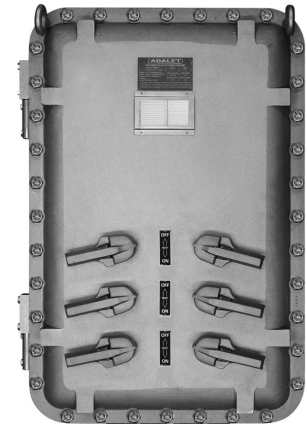
Class II, Divisions 1 and 2, Groups F and G

UL50

Class III

Class I, Zone 1, AEx d IIB / Exd IIB

NEMA Type 4X, 7, and 9 / IP66



X1PB1 Series

FEATURES

- Eaton Pow-R-Line C™ 1a Panelboard
- 12, 24, 30, 36 & 42 Circuit Main Lug Only
- 18 & 24 Circuit Back Fed Main Breaker(100A max)
- 12, 24, 36 & 42 Circuit Vertical Main Breaker
- Top or Bottom Fed
- 1-Phase 3-Wire 120/240 Volt, 3-Phase 4-Wire 120/208 Volt
- 100 or 225 Amp Copper Bus

X1PB2 Series

FEATURES

- Eaton Pow-R-Line C™ 2a Panelboard
- 12, 24, 30, 36 & 42 Circuit Main Lug Only
- 18 & 24 Circuit Back Fed Main Breaker (100A max)
- 12, 24, 36 & 42 Circuit Vertical Main Breaker
- Top or Bottom Fed
- 3-Phase 4-Wire 277/480 Volt
- 100 or 225 Amp Copper Bus

X1PB3 Series

FEATURES

- Eaton Pow-R-Line C™ 3a Panelboard
- 12, 24, 30, 36 & 42 Circuit Main Lug Only
- 18 & 24 Circuit Back Fed Main Breaker (100A max)
- 12, 24, 36 & 42 Circuit Vertical Main Breaker
- Top or Bottom Fed
- 3-Phase 4-Wire 277/480 Volt
- 100 or 225 Amp Copper Bus

How To Order:

- 1. Specify Catalog Number**
- 2. Starting with Circuit #1** (Circuit #2 on back fed main breaker panelboards), specify circuit breaker type, number of poles, and ampacity.
- 3. Note:**
 - Handles will be provided for each breaker specified.
 - Unused spaces will be plugged.
 - For blank spaces requiring handles, specify handle catalog number and circuit number.
- 4. Specify Entries, if any are required**
 - Attach layout sheet.

OPTIONS & ACCESSORIES

BRANCH CIRCUIT OPERATING HANDLES & PLUGS

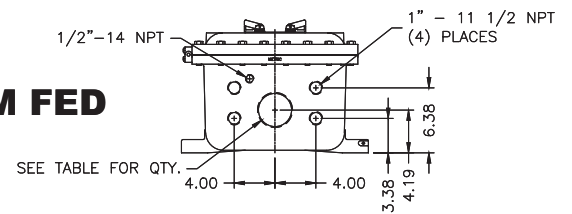
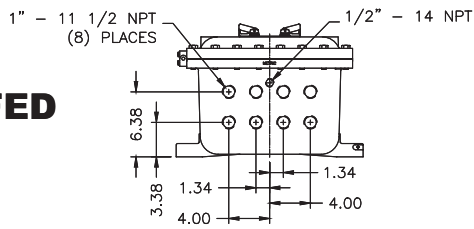
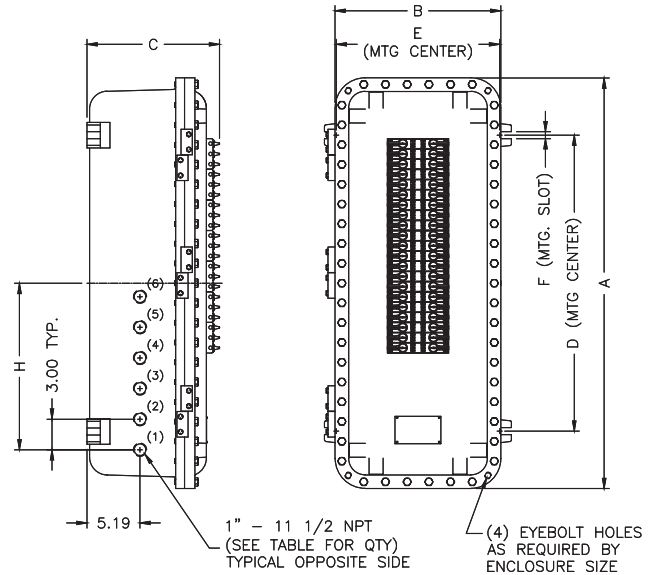
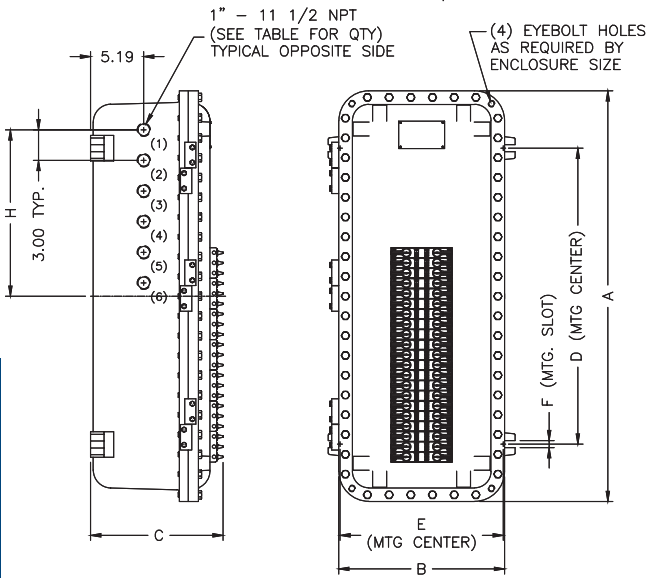
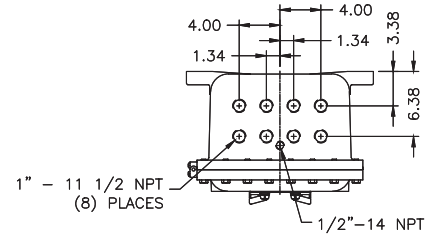
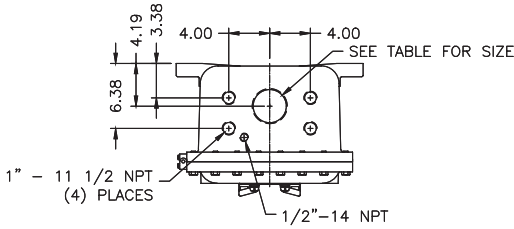
Catalog #	Description
X1PB1-H1	Single Pole PL1A Breaker Handle
X1PB1-H2	Two Pole PL1A Breaker Handle
X1PB1-H3	Three Pole PL1A Breaker Handle
X1PB2-H	PL2A Breaker Handle (ALL POLES)
X1PB1-HGL1	Single Pole PL1A GFI/EPD Breaker Handle - Left Hand
X1PB1-HGR1	Single Pole PL1A GFI/EPD Breaker Handle - Right Hand
X1PB1-HGL2	Two Pole PL1A GFI/EPD Breaker Handle - Left Hand
X1PB1-HGR2	Two Pole PL1A GFI/EPD Breaker Handle - Right Hand
X1PB-MB	PL1A/PL2A Vertical Main Breaker Assembly
X1P3-H	PL3A Circuit Breaker Handle
15562-7	PL1A/PL2A Branch Space Hole Plug
18023	PL3A Branch Space Hole Plug

BRANCH CIRCUIT BREAKERS, GFI & EPD

Catalog #	Description
X1PB1-1*	1 Pole, 120/240 Volt, Branch Breaker (10-70, 100 Amp.)
X1PB1-2*	2 Pole, 120/240 Volt, Branch Breaker (10-125 Amp.)
X1PB1-3*	3 Pole, 240 Volt, Branch Breaker (10-100 Amp.)
X1PB2-1*	1 Pole, 277/480 Volt, Branch Breaker (15-100 Amp.)
X1PB2-2*	2 Pole, 277/480 Volt, Branch Breaker (15-100 Amp.)
X1PB2-3*	3 Pole, 277/480 Volt, Branch Breaker (15-100 Amp.)
X1BP1-1GFCI*	1 Pole, 120 Volt, 5mA, Ground Fault Circuit Breaker (15-40 Amp.)
X1BP1-2GFCI*	2 Pole, 120/240 Volt, 5mA, Ground Fault Circuit Breaker (15-40 Amp.)
X1BP1-1GFEPD*	1 Pole, 120 Volt, 30mA, Ground Fault Equipment Protector (15-40 Amp.)
X2BP1-1GFEPD*	2 Pole, 120/240 Volt, 30mA, Ground Equipment Protector (15-40 Amp.)
X1PB3-43*	3 Pole, 480 Volt, Branch Breaker (10-100 Amp.)
X1PB3-63*	3 Pole, 600 Volt, Branch Breaker (10-100 Amp.)

*Add the Ampere Rating of the Branch Breaker When Ordering

Explosionproof Panelboards Lighting Panel Main Lug Only



TOP FED

BOTTOM FED

DIMENSIONAL OUTLINE

Catalog #	A	B	C	D	E	F	Main Conduit Fed Size	H	Left & Right Side Hole Locations & Qty's	XP ENCLOSURE
X1PB1-121-L1_	22.25	16.25	12.03	14.13	15.75	.50	2"	7.00	1 THRU 3	XCEX 121808 N4
X1PB1-241-L1_	28.25	16.25	12.54	18.38	15.75	.63	2.5"	10.00	1 THRU 4	XCEX 122408 N4
X1PB1-241-L2_	40.25	16.25	13.38	29.00	15.75	.68	3"	16.00	1 THRU 4	XCEX 123608 N4
X1PB1-301-L2_	40.25	16.25	13.38	29.00	15.75	.68	3"	16.00	1 THRU 5	XCEX 123608 N4
X1PB1-361-L2_	40.25	16.25	13.38	29.00	15.75	.68	3"	16.00	1 THRU 6	XCEX 123608 N4
X1PB1-421-L2_	40.25	16.25	13.38	29.00	15.75	.68	3"	16.00	1 THRU 6	XCEX 123608 N4
X1PB1-123-L1_	22.25	16.25	12.03	14.13	15.75	.50	2"	7.00	1 THRU 3	XCEX 121808 N4
X1PB1-243-L1_	28.25	16.25	12.54	18.38	15.75	.63	2.5"	10.00	1 THRU 4	XCEX122408 N4
X1PB1-243-L2_	40.25	16.25	13.38	29.00	15.75	.68	3"	16.00	1 THRU 4	XCEX 123608 N4
X1PB1-303-L2_	40.25	16.25	13.38	29.00	15.75	.68	3"	16.00	1 THRU 5	XCEX 123608 N4
X1PB1-363-L2_	40.25	16.25	13.38	29.00	15.75	.68	3"	16.00	1 THRU 6	XCEX 123608 N4
X1PB1-423-L2_	40.25	16.25	13.38	29.00	15.75	.68	3"	16.00	1 THRU 6	XCEX 123608 N4
X1PB2-123-L1_	22.25	16.25	12.03	14.13	15.75	.50	2"	7.00	1 THRU 3	XCEX 121808 N4
X1PB2-243-L1_	28.25	16.25	12.54	18.38	15.75	.63	2.5"	10.00	1 THRU 4	XCEX 122408 N4
X1PB2-243-L2_	40.25	16.25	13.38	29.00	15.75	.68	3"	16.00	1 THRU 4	XCEX 123608 N4
X1PB2-303-L2_	40.25	16.25	13.38	29.00	15.75	.68	3"	16.00	1 THRU 5	XCEX 123608 N4
X1PB2-363-L2_	40.25	16.25	13.38	29.00	15.75	.68	3"	16.00	1 THRU 6	XCEX 123608 N4
X1PB2-423-L2_	40.25	16.25	13.38	29.00	15.75	.68	3"	16.00	1 THRU 6	XCEX 123608 N4

LIGHTING PANELS

Catalog #	# Branch Breakers	Eaton Cutler Hammer Pow-R-Line C Panelboards		Chassis Type
		Electrical Rating	Bus Amp	
X1PB1-121-L1_	12	1Ø-3W 120/240V	100	PRL1A
X1PB1-241-L1_	24	1Ø-3W 120/240V	100	PRL1A
X1PB1-241-L2_	24	1Ø-3W 120/240V	225	PRL1A
X1PB1-301-L2_	30	1Ø-3W 120/240V	225	PRL1A
X1PB1-361-L2_	36	1Ø-3W 120/240V	225	PRL1A
X1PB1-421-L2_	42	1Ø-3W 120/240V	225	PRL1A
X1PB1-123-L1_	12	3Ø-4W 120/208V	100	PRL1A
X1PB1-243-L1_	24	3Ø-4W 120/208V	100	PRL1A
X1PB1-243-L2_	24	3Ø-4W 120/208V	225	PRL1A
X1PB1-303-L2_	30	3Ø-4W 120/208V	225	PRL1A
X1PB1-363-L2_	36	3Ø-4W 120/208V	225	PRL1A
X1PB1-423-L2_	42	3Ø-4W 120/208V	225	PRL1A
X1PB2-123-L1_	12	3Ø-4W 277/480V	100	PRL2A
X1PB2-243-L1_	24	3Ø-4W 277/480V	100	PRL2A
X1PB2-243-L2_	24	3Ø-4W 277/480V	225	PRL2A
X1PB2-303-L2_	30	3Ø-4W 277/480V	225	PRL2A
X1PB2-363-L2_	36	3Ø-4W 277/480V	225	PRL2A
X1PB2-423-L2_	42	3Ø-4W 277/480V	225	PRL2A

BRANCH CIRCUIT OPERATING HANDLES & PLUGS

Catalog #	Description
X1PB1-H1	Single Pole PL1A Breaker Handle
X1PB1-H2	Two Pole PL1A Breaker Handle
X1PB1-H3	Three Pole PL1A Breaker Handle
X1PB2-H	PL2A Breaker Handle (ALL POLES)
X1PB1-HGL1	Single Pole PL1A GFI/EPD Breaker Handle - Left Hand
X1PB1-HGR1	Single Pole PL1A GFI/EPD Breaker Handle - Right Hand
X1PB1-HGL2	Two Pole PL1A GFI/EPD Breaker Handle - Left Hand
X1PB1-HGR2	Two Pole PL1A GFI/EPD Breaker Handle - Right Hand
15562-7	PL1A/PL2A Branch Space Hole Plug

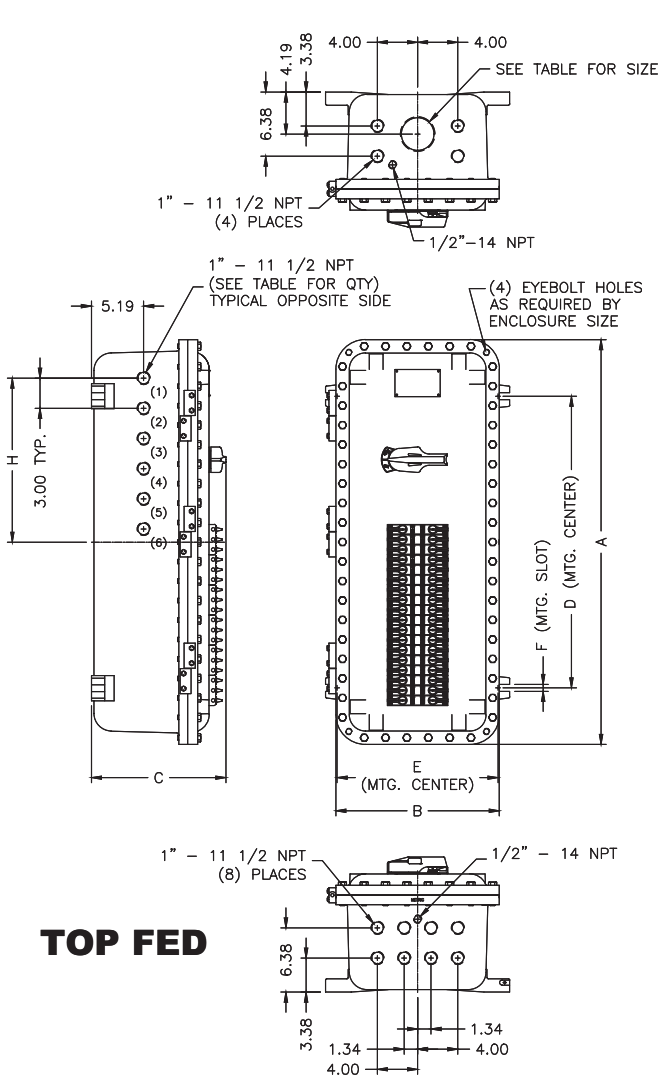
BRANCH BREAKERS

PRL1A	PRL2A
BAB	
QBGF	GHB
QBGFEP	

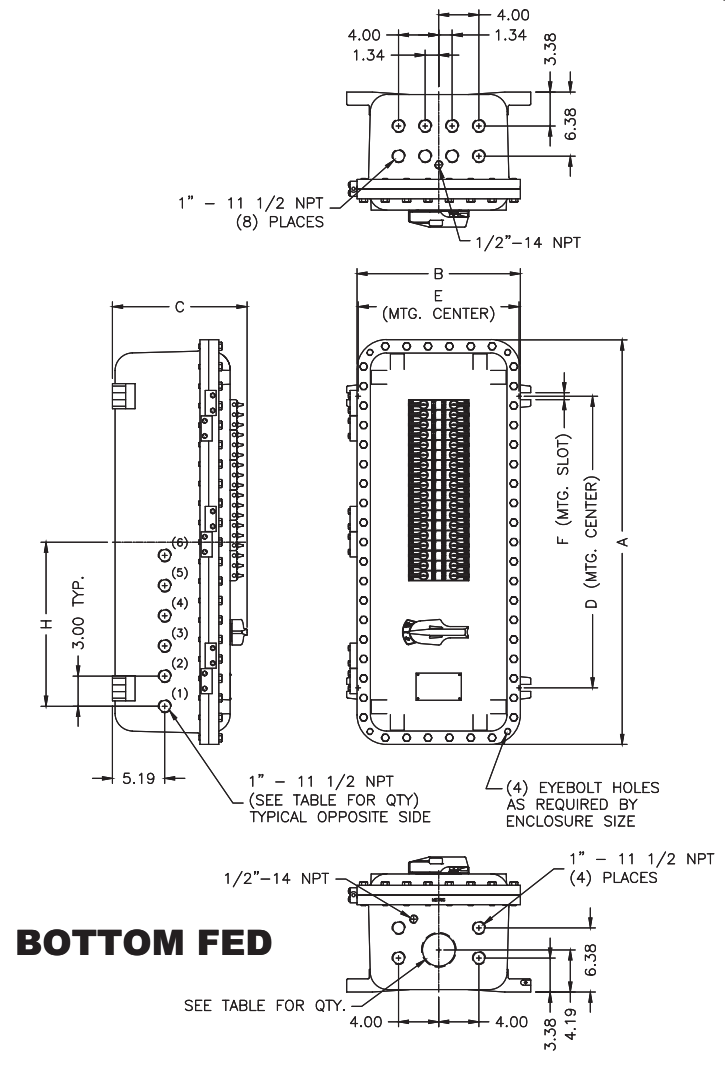
NOTES:

1. For Bottom Fed Model add suffix -B
2. For Top Fed Model add suffix -T
3. 10kA Maximum Interrupting Capacity (Sym.)

Explosionproof Panelboards Vertical Main Breaker



TOP FED



BOTTOM FED

EXPLOSIONPROOF Panelboards

DIMENSIONAL OUTLINE

Catalog #	A	B	C	D	E	F	Main Conduit Fed Size	H	Left & Right Side Hole Locations & Qtys	XP ENCLOSURE
X1PB1-121-M1_	28.25	16.25	12.94	18.38	15.75	.63	2"	10.00	1 THRU 3	XCEX 122408 N4
X1PB1-241-M1_	40.25	16.25	13.38	18.38	15.75	.68	2.5"	16.00	1 THRU 4	XCEX 123608 N4
X1PB1-241-M2_	40.25	16.25	13.38	29.00	15.75	.68	3"	16.00	1 THRU 4	XCEX 123608 N4
X1PB1-361-M2_	50.25	16.25	13.38	39.00	15.75	.68	3"	21.00	1 THRU 6	XCEX 124608 N4
X1PB1-421-M2_	50.25	16.25	13.38	39.00	15.75	.68	2"	21.00	1 THRU 6	XCEX 124608 N4
X1PB1-123-M1_	28.25	16.25	12.94	18.38	15.75	.63	2.5"	10.00	1 THRU 3	XCEX 122408 N4
X1PB1-243-M1_	40.25	16.25	13.38	29.00	15.75	.68	2.5"	16.00	1 THRU 4	XCEX123608 N4
X1PB1-243-M2_	40.25	16.25	13.38	29.00	15.75	.68	3"	16.00	1 THRU 4	XCEX 123608 N4
X1PB1-363-M2_	50.25	16.25	13.38	39.00	15.75	.68	3"	21.00	1 THRU 6	XCEX 124608 N4
X1PB1-423-M2_	50.25	16.25	13.38	39.00	15.75	.68	2"	21.00	1 THRU 6	XCEX 124608 N4
X1PB2-123-M1_	28.25	16.25	12.94	18.38	15.75	.63	2"	10.00	1 THRU 3	XCEX 122408 N4
X1PB2-243-M1_	40.25	16.25	13.38	29.00	15.75	.68	2.5"	16.00	1 THRU 4	XCEX 123608 N4
X1PB2-243-M2_	40.25	16.25	13.38	29.00	15.75	.68	2.5"	16.00	1 THRU 4	XCEX 123608 N4
X1PB2-363-M2_	50.25	16.25	13.38	39.00	15.75	.68	3"	21.00	1 THRU 6	XCEX 124608 N4
X1PB2-423-M2_	50.25	16.25	13.38	39.00	15.75	.68	3"	21.00	1 THRU 6	XCEX 124608 N4

LIGHTING PANELS

Catalog #	# Branch Breakers	Eaton Cutler Hammer Pow-R-Line C Panelboards			Chassis Type
		Electrical Rating	Main Brkr Type	Bus Amp	
X1PB1-121-M1_	12	1Ø-3W 120/240V	EHD2100	100	PRL1A
X1PB1-241-M1_	24	1Ø-3W 120/240V	EHD2100	100	PRL1A
X1PB1-241-M2_	24	1Ø-3W 120/240V	FD2225	225	PRL1A
X1PB1-361-M2_	36	1Ø-3W 120/240V	FD2225	225	PRL1A
X1PB1-421-M2_	42	1Ø-3W 120/240V	FD2225	225	PRL1A
X1PB1-123-M1_	12	3Ø-4W 120/208V	EHD2100	100	PRL1A
X1PB1-243-M1_	24	3Ø-4W 120/208V	EHD2100	100	PRL1A
X1PB1-243-M2_	24	3Ø-4W 120/208V	FD2225	225	PRL1A
X1PB1-363-M2_	36	3Ø-4W 120/208V	FD2225	225	PRL1A
X1PB1-423-M2_	42	3Ø-4W 120/208V	FD2225	225	PRL1A
X1PB2-123-M1_	12	3Ø-4W 277/480V	EHD3100	100	PRL2A
X1PB2-243-M1_	24	3Ø-4W 277/480V	EHD3100	100	PRL2A
X1PB2-243-M2_	24	3Ø-4W 277/480V	FD3225	225	PRL2A
X1PB2-363-M2_	36	3Ø-4W 277/480V	FD3225	225	PRL2A
X1PB2-423-M2_	42	3Ø-4W 277/480V	FD3225	225	PRL2A

BRANCH CIRCUIT OPERATING HANDLES & PLUGS

Catalog #	Description
X1PB1-H1	Single Pole PL1A Breaker Handle
X1PB1-H2	Two Pole PL1A Breaker Handle
X1PB1-H3	Three Pole PL1A Breaker Handle
X1PB2-H	PL2A Breaker Handle (ALL POLES)
X1PB1-HGL1	Single Pole PL1A GFI/EPD Breaker Handle - Left Hand
X1PB1-HGR1	Single Pole PL1A GFI/EPD Breaker Handle - Right Hand
X1PB1-HGL2	Two Pole PL1A GFI/EPD Breaker Handle - Left Hand
X1PB1-HGR2	Two Pole PL1A GFI/EPD Breaker Handle - Right Hand
X1PB-MB	PL1A/PL2A Vertical Main Breaker Assembly
15562-7	PL1A/PL2A Branch Space Hole Plug
18023	PL3A Branch Space Hole Plug

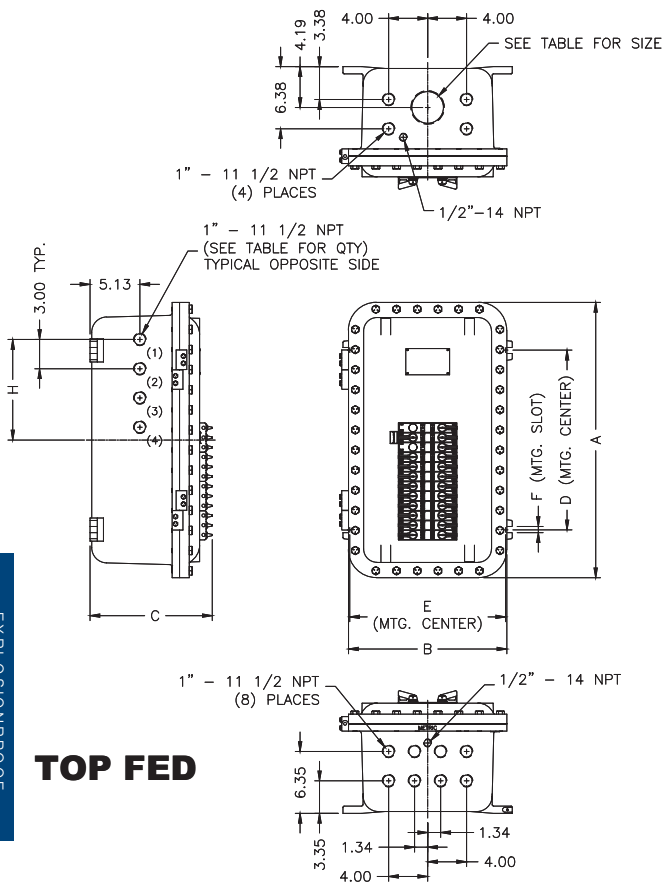
BRANCH BREAKERS

PRL1A	PRL2A
BAB	
QBGF	GHB
QBGFEP	

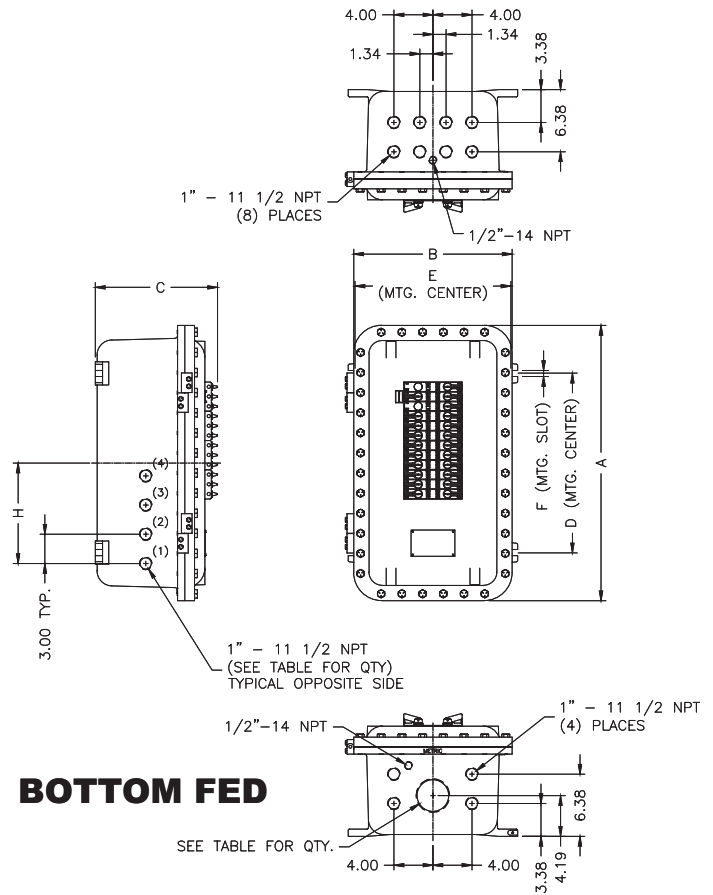
NOTES:

1. For Bottom Fed Model add suffix -B
2. For Top Fed Model add suffix -T
3. 10kA Maximum Interrupting Capacity (Sym.)

Explosionproof Panelboards Back Fed Main Breaker



TOP FED



BOTTOM FED

DIMENSIONAL OUTLINE

Catalog #	A	B	C	D	E	F	Main Conduit Fed Size	H	Left & Right Side Hole Locations & Qty's	XP ENCLOSURE
X1PB1-121-B1_	22.25	16.25	12.03	14.13	15.75	.50	2"	7.00	1 THRU 3	XCEX 121808 N4
X1PB1-181-B1_	28.25	16.25	12.54	18.38	15.75	.63	2.5"	10.00	1 THRU 4	XCEX 122408 N4
X1PB1-241-B1_	28.25	16.25	12.54	18.38	15.75	.63	2.5"	16.00	1 THRU 4	XCEX 122408 N4
X1PB1-123-B1_	22.25	16.25	12.03	14.13	15.75	.50	2"	16.00	1 THRU 3	XCEX 121808 N4
X1PB1-183-B1_	28.25	16.25	12.54	18.38	15.75	.63	2.5"	16.00	1 THRU 4	XCEX 122408 N4
X1PB1-243-B1_	28.25	16.25	12.54	18.38	15.75	.63	2.5"	16.00	1 THRU 4	XCEX 122408 N4
X1PB2-123-B1_	22.25	16.25	12.03	14.13	15.75	.50	2"	7.00	1 THRU 3	XCEX 121808 N4
X1PB2-183-B1_	28.25	16.25	12.54	18.38	15.75	.63	2.5"	10.00	1 THRU 4	XCEX122408 N4
X1PB2-243-B1_	28.25	16.25	12.54	18.38	15.75	.63	2.5"	16.00	1 THRU 4	XCEX 122408 N4

LIGHTING PANELS

Catalog #	# Branch Breakers	Eaton Cutler Hammer Pow-R-Line C Panelboards			Chassis Type
		Electrical Rating	Main Brkr Type	Bus Amp	
X1PB1-121-B1_	10	1Ø-3W 120/240V	BAB2100	100	PRL1A
X1PB1-181-B1_	16	1Ø-3W 120/240V	BAB2100	100	PRL1A
X1PB1-241-B2_	22	1Ø-3W 120/240V	BAB2100	100	PRL1A
X1PB1-123-B1_	9	3Ø-4W 120/208V	BAB3100H	100	PRL1A
X1PB1-183-B1_	15	3Ø-4W 120/208V	BAB3100H	100	PRL1A
X1PB1-243-B2_	21	3Ø-4W 120/208V	BAB3100H	225	PRL1A
X2PB2-123-B1_	9	3Ø-4W 277/480V	GHB3100	100	PRL2A
X2PB1-183-B1_	15	3Ø-4W 277/480V	GHB3100	100	PRL2A
X1PB2-243-B2_	21	3Ø-4W 277/480V	GHB3100	225	PRL2A

BRANCH CIRCUIT OPERATING HANDLES & PLUGS

Catalog #	Description
X1PB1-H1	Single Pole PL1A Breaker Handle
X1PB1-H2	Two Pole PL1A Breaker Handle
X1PB1-H3	Three Pole PL1A Breaker Handle
X1PB2-H	PL2A Breaker Handle (ALL POLES)
X1PB1-HGL1	Single Pole PL1A GFI/EPD Breaker Handle - Left Hand
X1PB1-HGR1	Single Pole PL1A GFI/EPD Breaker Handle - Right Hand
X1PB1-HGL2	Two Pole PL1A GFI/EPD Breaker Handle - Left Hand
X1PB1-HGR2	Two Pole PL1A GFI/EPD Breaker Handle - Right Hand
15562-7	PL1A/PL2A Branch Space Hole Plug

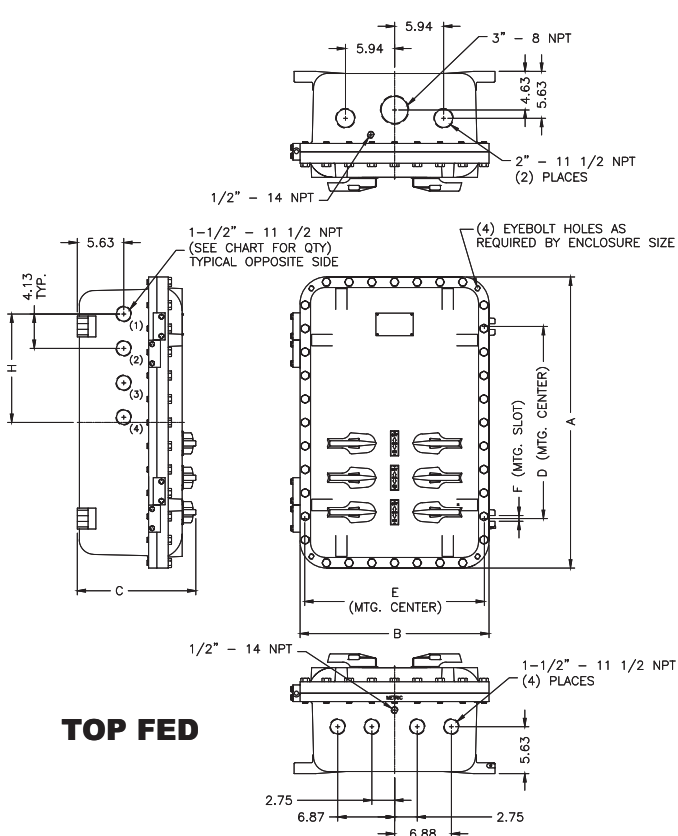
BRANCH BREAKERS

PRL1A	PRL2A
BAB	
QBGF	GHB
QBGFEP	

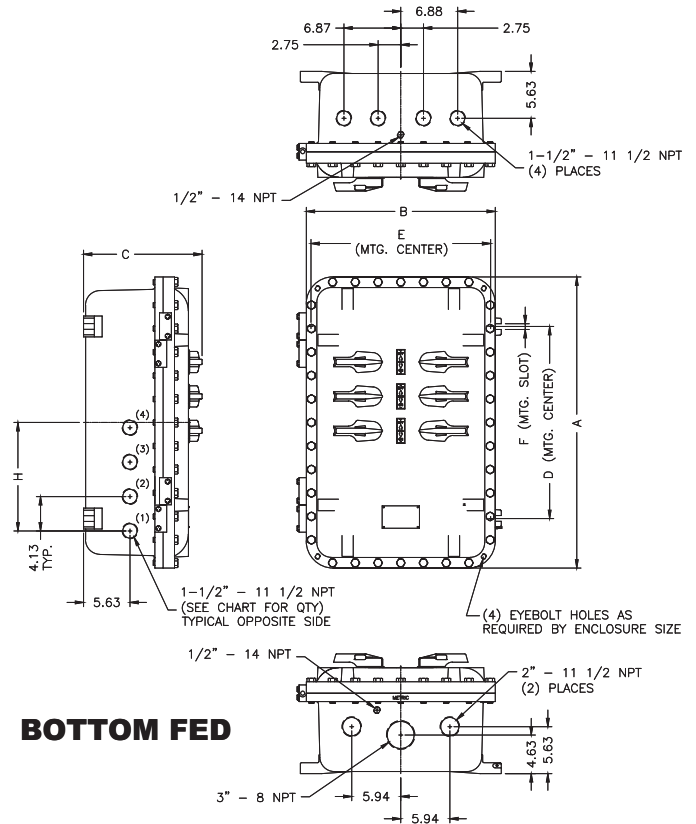
NOTES:

1. For Bottom Fed Model add suffix -B
2. For Top Fed Model add suffix -T
3. 10kA Maximum Interrupting Capacity (Sym.)

Explosionproof Panelboards Power Panel Main Lug Only



TOP FED



BOTTOM FED

DIMENSIONAL OUTLINE

Catalog #	A	B	C	D	E	F	H	Left & Right Side Hole Locations & Qty's	XP ENCLOSURE
X1PB3-4_	28.88	22.88	14.46	18.38	15.75	.69	10.00	1 & 2	XCEX 182408 N4
X1PB3-6_	34.88	22.88	14.35	23.00	15.75	.69	13.00	1 THRU 3	XCEX 183008 N4
X1PB3-8_	34.88	22.88	14.35	23.00	15.75	.69	13.00	1 THRU 3	XCEX 183008 N4
X1PB3-10_	40.88	22.88	14.54	29.00	21.75	.69	16.00	1 THRU 4	XCEX 183608 N4

POWER PANELS

Catalog #	Eaton Cutler Hammer Pow-R-Line C Panelboards			
	# 3-Pole Branch Brkrs	Electrical Rating	Bus Amp	Chassis Type
X1PB3-434-L2_	4	3Ø-3W 480V	225	PRL3A
X1PB3-634-L2_	6	3Ø-3W 480V	225	PRL3A
X1PB3-834-L2_	8	3Ø-3W 480V	225	PRL3A
X1PB3-1034-L2_	10	3Ø-3W 480V	225	PRL3A
X1PB3-444-L2_	4	3Ø-3W 480V	225	PRL3A
X1PB3-644-L2_	6	3Ø-4W 480V	225	PRL3A
X1PB3-844-L2_	8	3Ø-4W 480V	225	PRL3A
X1PB3-1044-L2_	10	3Ø-4W 480V	225	PRL3A
X1PB3-436-L2_	4	3Ø-3W 600V	225	PRL3A
X1PB3-636-L2_	6	3Ø-3W 600V	225	PRL3A
X1PB3-836-L2_	8	3Ø-3W 600V	225	PRL3A
X1PB3-1036-L2_	10	3Ø-3W 600V	225	PRL3A
X1PB3-446-L2_	4	3Ø-4W 600V	225	PRL3A
X1PB3-646-L2_	6	3Ø-4W 600V	225	PRL3A
X1PB3-846-L2_	8	3Ø-4W 600V	225	PRL3A
X1PB3-1046-L2_	10	3Ø-4W 600V	225	PRL3A

EXPLOSIONPROOF Panelboards

BRANCH CIRCUIT OPERATING HANDLES & PLUGS

Catalog #	Description
X1PB1-H1	Single Pole PL1A Breaker Handle
X1PB1-H2	Two Pole PL1A Breaker Handle
X1PB1-H3	Three Pole PL1A Breaker Handle
X1PB2-H	PL2A Breaker Handle (ALL POLES)
X1PB1-HGL1	Single Pole PL1A GFI/EPD Breaker Handle - Left Hand
X1PB1-HGR1	Single Pole PL1A GFI/EPD Breaker Handle - Right Hand
X1PB1-HGL2	Two Pole PL1A GFI/EPD Breaker Handle - Left Hand
X1PB1-HGR2	Two Pole PL1A GFI/EPD Breaker Handle - Right Hand
15562-7	PL1A/PL2A Branch Space Hole Plug

BRANCH BREAKERS

Volts	Type
480	EHD
600	FDB

NOTES:

1. For Bottom Fed Model add suffix -B
2. For Top Fed Model add suffix -T
3. 10kA Maximum Interrupting Capacity (Sym.)