

FSDD Series**Free Standing Double Door Enclosures**

These double door enclosures are used indoors and outdoors to house such items as electronic / electrical controls, instrumentation systems, and pneumatic, hydraulic, and machine tool controls. These enclosures are designed to provide protection against dust, dirt, oil and water. They are suitable for use in petrochemical plants, dairies, breweries, food processing areas and similar environments where they are subject to frequent high pressure hosing and generally wet conditions. The Type 4X rating and stainless steel construction also allows for installation in areas where severe corrosion problems may exist.

STANDARD FEATURES

- Single and dual access versions available
- Continuous hinge (removable hinge pin)
- Watertight urethane gasket
- Lockable 3 point latch handle
- Heavy duty Type 316 lifting bolts
- Removable center post for panel installation
- Print pocket
- 3/8" Collar studs for optional mounting panel (mounting panels sold separately)
- Grounding studs on inside of box and cover

DESIGN OPTIONS

- Painted steel and stainless steel mounting panels
- Laser cut entries or cut-outs
- Terminal blocks or other component assembly
- Swing panel / dead front panel
- Louvers, fans and filters
- Epoxy paint or powder coating
- Custom sizes
- Drip shields and sun shields
- Window kits

MATERIAL

- 14 and 16 gauge / Type 304 or 316L stainless steel
- Stainless steel hardware
- #3 / #4 brushed finish

**CERTIFICATIONS**

NEMA Type 3, 3R, 4, 4X, 12 & 13
UL50
cULus Listed



NEMA TYPE 4X

N4X-FSDD-SINGLE ACCESS

Catalog Number*	A	B	C	H	J	M	N
N4X-604818FSDD	60.06	48.06	18.06	23.13	46.06	49.31	44.56
N4X-724818FSDD	72.06	48.06	18.06	29.13	46.06	61.31	44.56
N4X-726018FSDD	72.06	60.06	18.06	29.13	58.06	61.31	56.56
N4X-727218FSDD	72.06	72.00	18.06	29.13	70.06	61.31	68.56
N4X-904820FSDD	90.06	48.06	20.06	38.13	46.06	79.31	44.56
N4X-907220FSDD	90.06	72.06	20.06	38.13	70.06	79.31	68.56
N4X-724824FSDD	72.06	48.06	24.06	29.13	46.06	61.31	44.56
N4X-726024FSDD	72.06	60.06	24.06	29.13	58.06	61.31	56.56
N4X-727224FSDD	72.06	72.00	24.06	29.13	70.06	61.31	68.56
N4X-907224FSDD	90.06	72.00	24.06	38.13	70.06	79.31	68.56
N4X-726036FSDD	72.06	60.06	36.06	29.13	58.06	61.31	56.56
N4X-907236FSDD	90.06	72.00	36.06	38.13	70.06	79.31	68.56

*NOTE: for Type 316L Stainless Steel, substitute catalog prefix N4X with N4X6.

N4X-FSDDDA-DUAL ACCESS

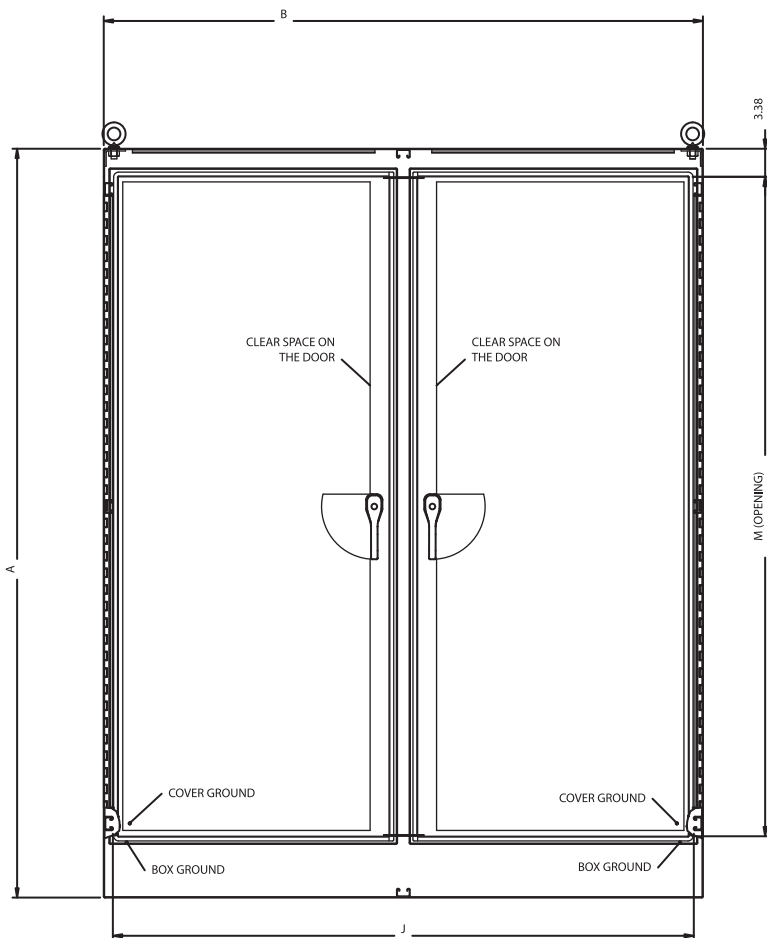
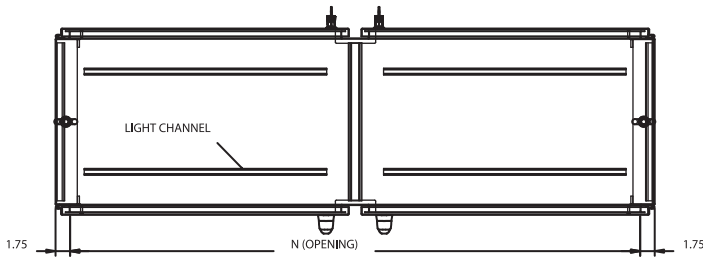
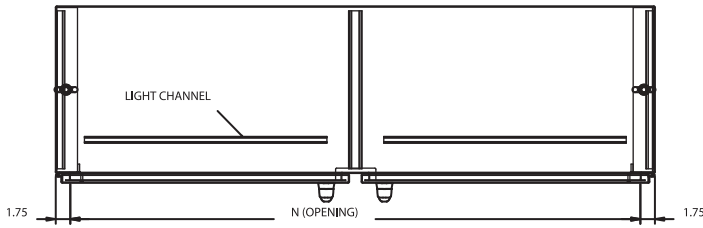
Catalog Number*	A	B	C	H	J	M	N
N4X-724824FSDDDA	72.06	48.06	24.06	29.13	46.06	61.31	44.56
N4X-726024FSDDDA	72.06	60.06	24.06	29.13	58.06	61.31	56.56
N4X-727224FSDDDA	72.06	72.06	24.06	29.13	70.06	61.31	68.56
N4X-907224FSDDDA	90.06	72.06	24.06	38.13	70.06	79.31	68.56
N4X-726036FSDDDA	72.06	60.06	36.06	29.13	58.06	61.31	56.56

*NOTE: for Type 316L Stainless Steel, substitute catalog prefix N4X with N4X6.

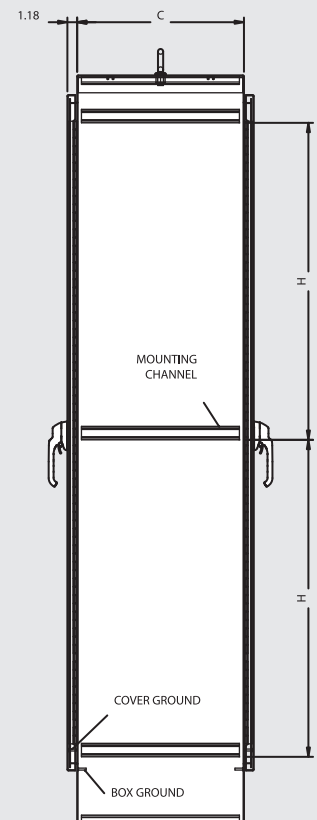
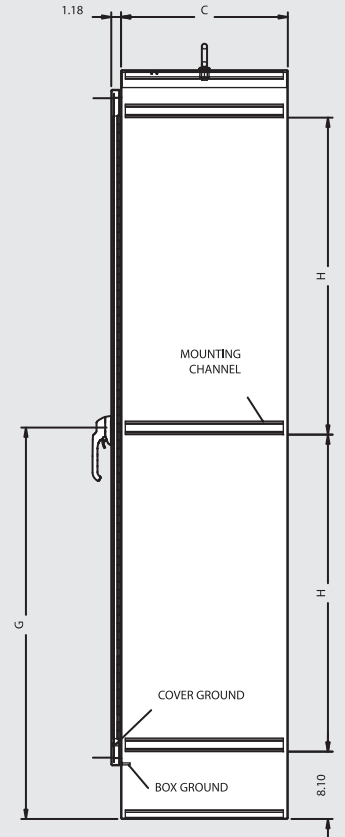
NEMA TYPE 4X

STAINLESS STEEL ENCLOSURES

TOP VIEW



SIDE VIEW



SEND ORDERS TO ORDERS@ADALET.COM

T: 216.267.9000 | F: 216.267.1681 | info@adalet.com

©Adalet