

EXPLOSIONPROOF INSTRUMENT HOUSINGS

STAINLESS STEEL 316

XIHNS SERIES

Designed to house circuit boards, meters, and instrumentation, the new look, Adalet stainless steel 316 housing provides rugged protection for measurement and detection applications in highly corrosive, hazardous areas. The XIHNS series stainless steel instrument enclosures are ideal for housing and protecting OEM measurement and sensing devices in harsh or hazardous environments.



FEATURES

- Modern contour design provides updated look for OEM instrument products
- Investment casting provides superior finish
- Removable internal mounting panel for convenient field drilling & tapping of mounting holes
- Up to six conduit entries – most on the market / Two 3/4" NPT conduit entries are standard
- Two cast-on mounting tabs, centered, with an optional 3rd tab for heavy vibration applications
- Generous front boss allows for optional bracket holes or larger conduit entry (up to 1" NPT)
- Bored throat opening provides superior concentricity – 4-1/16" diameter
- Two solid and two glass covers are available to accommodate various depth instruments
- Glass covers feature 3-5/16" viewing window diameter
- Glass covers feature low profile / tab free retaining ring for maximum instrument clearance
- Internal / external grounding hardware
- Global certifications: UL, cUL, ATEX, and IECEx

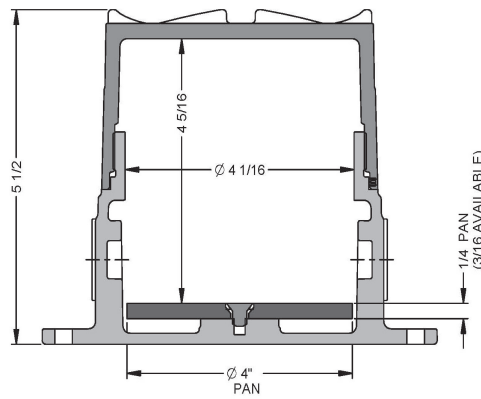
APPLICATIONS

- Gas sensors / detectors
- Flow sensors
- Level detectors
- Analyzers
- Gauges
- Junction boxes / terminal enclosures

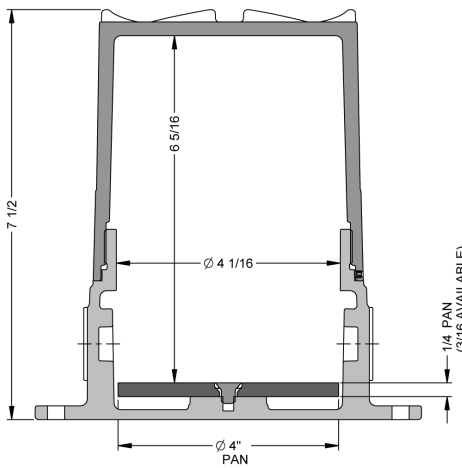
DESIGN OPTIONS

- 1/4"-20 UNC holes in front boss for bracket mounting
- Front boss modifications: 1/2", 3/4" or 1" NPT and various NPSM & metric entries
- 1/2" NPT reducers available (add suffix "2" to catalog number)
- Custom drilling & tapping in mounting pan
- Backwall NPT entry in lieu of mounting pan

Solid Cover Arrangements

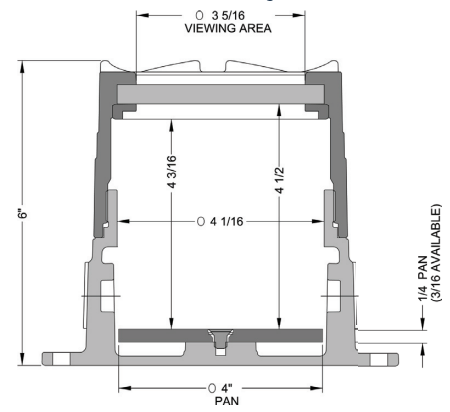


XIHNSFCX - Flat Cover, 3/4" NPT Hubs

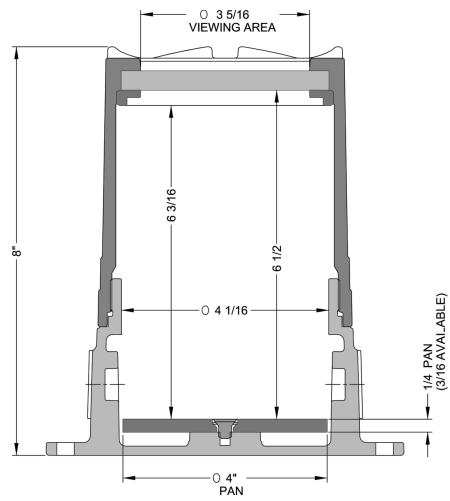


XIHNSDCX - Dome Cover, 3/4" NPT Hubs

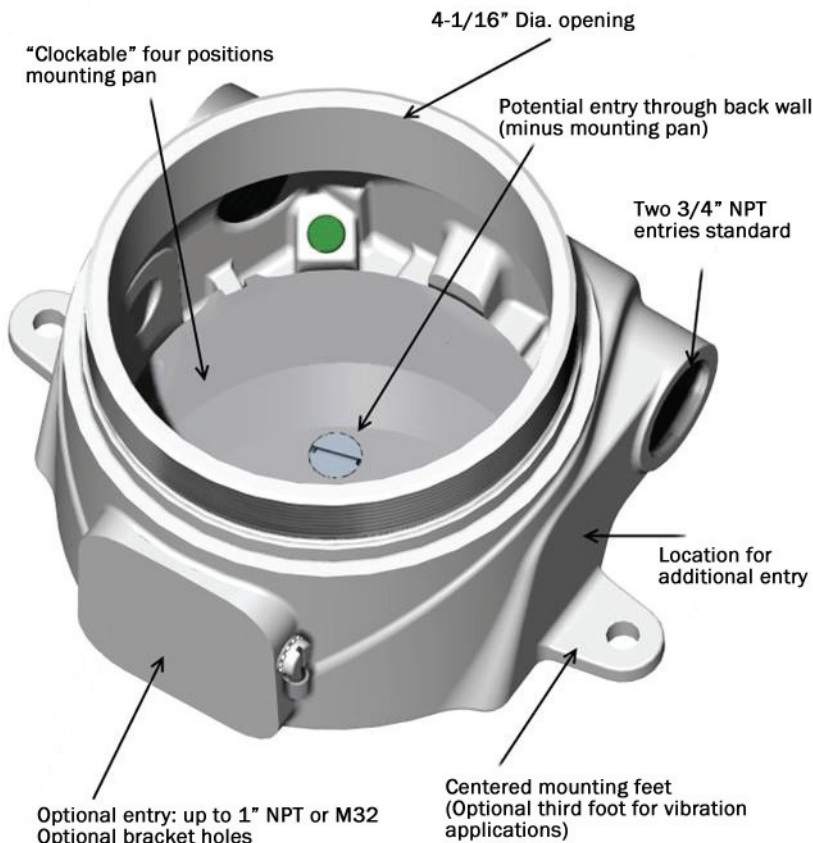
Glass Cover Arrangements



XIHNFGCX - Flat Glass Cover, 3/4" NPT Hubs



XIHNFGCX - Dome Glass Cover, 3/4" NPT Hubs



CERTIFICATIONS

NORTH AMERICAN CERTIFICATIONS (STANDARD)

CLASS I, DIV 1 GROUP BCD
 CLASS II GROUP EFG
 CLASS III
 CLASS I ZONE 1 AEx d IIC
 Ex d IIC (Canada)
 TYPE 4X



GLOBAL CERTIFICATIONS (OPTIONAL)



ATEX:
 DEMKO 07 ATEX 0622294U
 0539 Ex II 2 G Ex d IIC Gb
 0539 Ex II 2 D Ex tb IIIC Db IP66

IECEX:
 IECEX UL 08.0005U
 Ex d IIC Gb
 Ex tb IIIC Db IP66

Standard Ambient Temp. Range: -34C<Ta<100C
 Optional Ambient Temp. Range: -50C<Ta<100C (consult factory)