

INSTRUMENT HOUSINGS

XIH Series - 3 3/16" ID Enclosures (Standard)

XIH housings are designed for small to medium sized electronic assemblies. The 3 3/16" ID provides ample clearance to accommodate a wide variety of measurement and control devices. Precision machined from sand-cast copper-free aluminum.

STANDARD FEATURES

- 1/2" or 3/4" NPT conduit feed-through hubs, offset for maximum clearance and capacity
- Four interior mounting bosses at 45° orientation accommodate blind tapped holes on a 2 1/2" bolt circle
- Internal and external ground screws and tamper resistant cover set screws for extra safety
- Choice of solid covers or 2 3/8" diameter tempered glass window for local read out or display
- Buna-Nitrile rubber gasket for NEMA Type 4X watertight applications
- Corrosion resistant, "safety blue" polyester powder coating (other colors available)
- Stainless steel hardware

DESIGN OPTIONS

- 1/4"-20 UNC holes in front boss for bracket mounting
- Front boss modifications: 1/2" or 3/4" NPT & various NPSM & metric entries available in place of standard 1/2" NPT (consult factory)
- Mounting lugs with 3/16" holes (add suffix "L" to catalog number)
- Powder or epoxy coatings to match company color scheme
- Cast-on logos
- Custom drilling & tapping modifications
- Interior mounting bosses
- Custom designs and sizes



CERTIFICATIONS

XIH - Domestic Ratings

Classified

Class I, Div. 1, Groups B, C, D

Class II, Div. 1, Groups E, F, G

Class III

NEMA Type 4X

UL1203; CSA c22.2 No. 30 & CSA C22.2 No. 25

XIHX - Global Ratings (Optional)

ATEX

II 2G Ex d IIC

II 2D Ex tD A20

IP66

IECEx

Ex d IIC

IP66

EN60079-0, EN60079-1

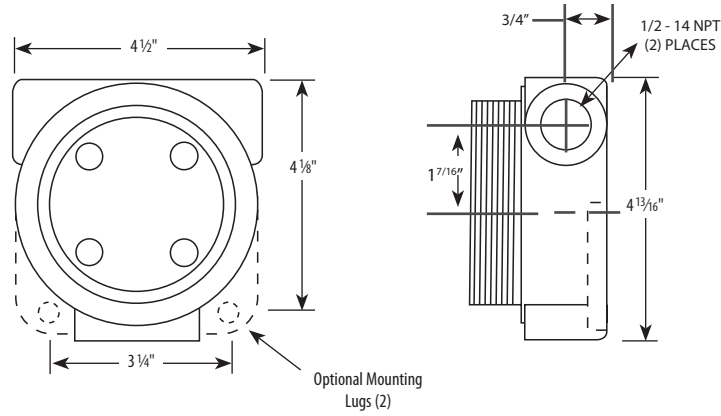
EN61241-0, EN61241-1

EN60529

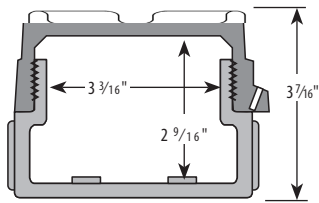
IEC60079-0 & IEC60079-1

IEC60529





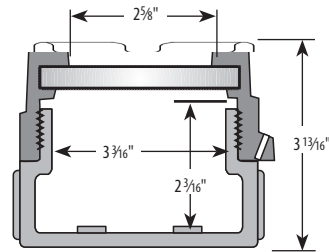
Solid Cover Arrangements



FLAT SOLID COVER

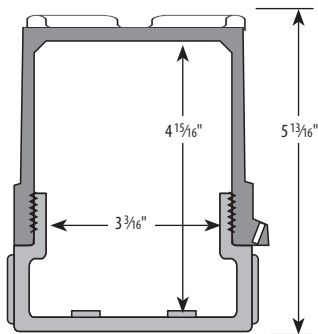
CATALOG NUMBER	DESCRIPTION
XIHFCX2	Flat Cover, 1/2" NPT Hubs
XIHFCX3	Flat Cover, 3/4" NPT Hubs

Glass Cover Arrangements



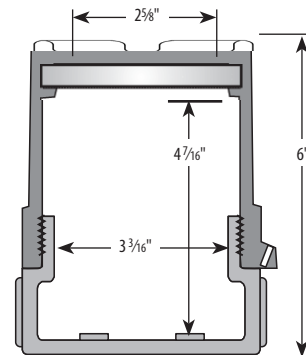
FLAT GLASS COVER

CATALOG NUMBER	DESCRIPTION
XIHFGCX2	Flat Glass Cover, 1/2" NPT Hubs
XIHFGCX3	Flat Glass Cover, 3/4" NPT Hubs



DOMESOLID COVER

CATALOG NUMBER	DESCRIPTION
XIHDCX2	Dome Cover, 1/2" NPT Hubs
XIHDCX3	Dome Cover, 3/4" NPT Hubs



DOMEGLASS COVER

CATALOG NUMBER	DESCRIPTION
XIHDCGX2	Dome Glass Cover, 1/2" NPT Hubs
XIHDCGX3	Dome Glass Cover, 3/4" NPT Hubs