

# INSTRUMENT HOUSINGS

## XDHL Series - 4" ID Enclosures (Large)

**DOUBLE ENDED HOUSING** - XDHL housings are designed to isolate incoming power connections from instrumentation. The 4" ID provides maximum clearance to facilitate instrument mounting, calibration or service, with back-to-back chambers separated by a solid, 1/2" thick wall. Precision machined from sand-cast, copper-free aluminum.

### STANDARD FEATURES

- 3/4" NPT conduit feed-through hubs, offset into power side for maximum clearance and capacity
- Front boss with 3/4" NPT opening into instrument side for conduit, sensor or probe (see design options for other sizes)
- Internal and external ground screws and tamper resistant cover set screws for extra safety
- Choice of solid covers or 3 5/8" diameter tempered glass window for local read out and display
- Buna-Nitrile rubber gasket for NEMA Type 4X watertight applications
- Corrosion resistant, "safety blue" polyester powder coating (other colors available)
- Stainless steel hardware

### DESIGN OPTIONS

- 2- to 12-point, power side terminal strip with sealed pass-through to instrument (add suffix "2T", "4T", "6T", "8T", "10T" or "12T" to catalog number)
- Internall wall can be modified (drilled and tapped) to suit design needs, or to be completely removed and still maintain approvals. Please consult factory.
- Power side (shallow side) cover options:
  - Flat Solid - Standard
  - Dome Glass - Add suffix "A"
  - Flat Glass - Add suffix "B"
  - Dome Solid - Add suffix "C"
- Front boss modifications: 1/2", 3/4" or 1" NPT; 1/2", 3/4" or 1" NPSM; or 20mm, 25mm or 30mm entry for sensor, probe conduit
- 1/2" NPT reducers are available - add suffix "2" to catalog number
- Four 1/4-20 UNC holes in front boss for bracket mounting (consult factory for other sizes)



### CERTIFICATIONS

#### XIH - Domestic Ratings

Classified  
 Class I, Div. 1, Groups B, C, D  
 Class II, Div. 1, Groups E, F, G  
 Class III  
 NEMA Type 4X  
 UL1203; CSA c22.2 No. 30 & CSA  
 C22.2 No. 25

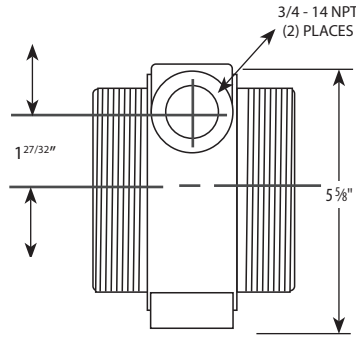
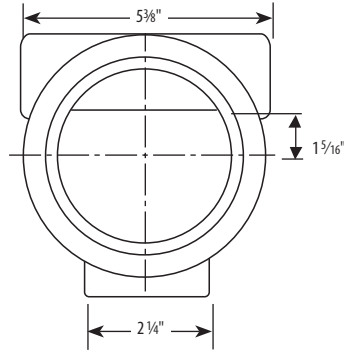
#### XIHX - Global Ratings (Optional)

ATEX  
 II 2G Ex d II B + H2  
 II 2D Ex tD A20  
 IP66  
 IECEx  
 Ex d II B + H2  
 IP66

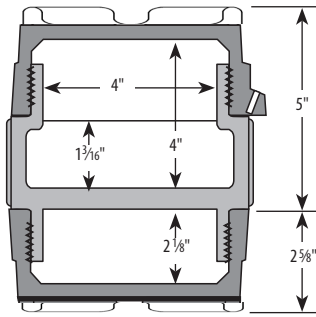
EN60079-0, EN60079-1  
 EN61241-0, EN61241-1  
 EN60529  
 IEC60079-0 & IEC60079-1  
 IEC60529



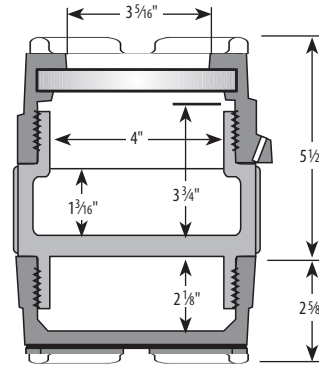
# INSTRUMENT HOUSINGS



## Solid Cover Arrangements

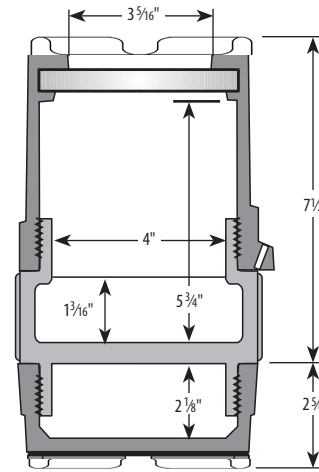
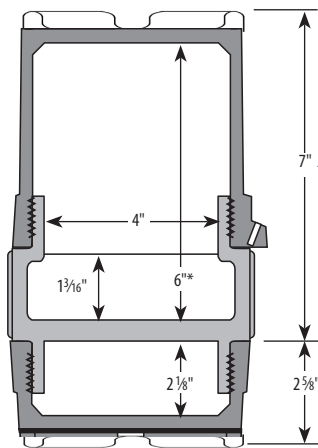


## Glass Cover Arrangements



SOLID COVER	
CATALOG NUMBER	DESCRIPTION
XDHLFCX	Flat Cover, 3/4" NPT Hubs

GLASS COVER	
CATALOG NUMBER	DESCRIPTION
XDHLFGCX	Flat Glass Cover, 3/4" NPT Hubs



SOLID COVER	
CATALOG NUMBER	DESCRIPTION
XDHLDCX	Dome Cover, 3/4" NPT Hubs
XDHLECX*	Extended dome cover, 3/4" NPT Hubs

GLASS COVER	
CATALOG NUMBER	DESCRIPTION
XDHLDCGX	Dome Glass Cover, 3/4" NPT Hubs

\* Extended Cover (EC) adds 15/16"

EXPLOSIONPROOF  
INSTRUMENT HOUSINGS