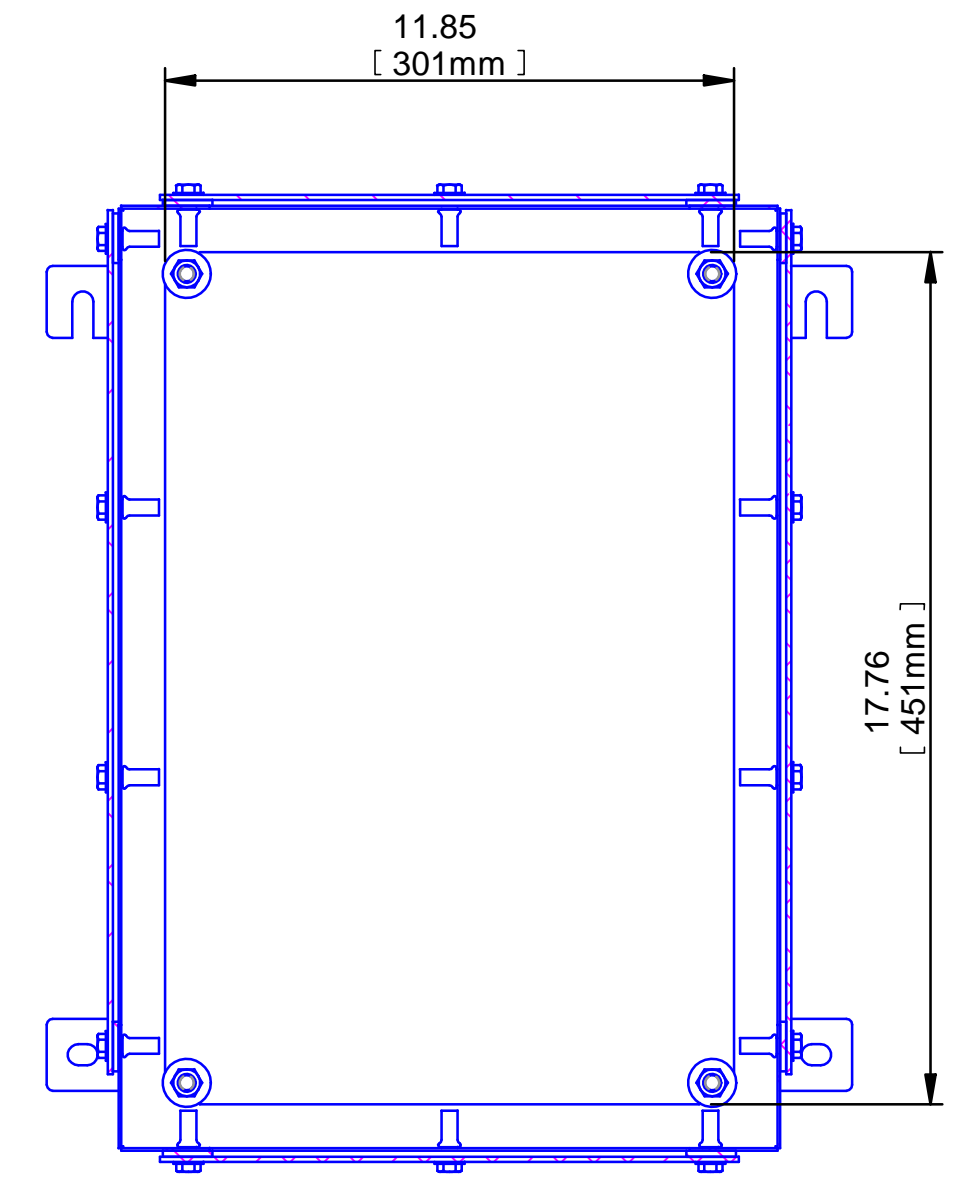
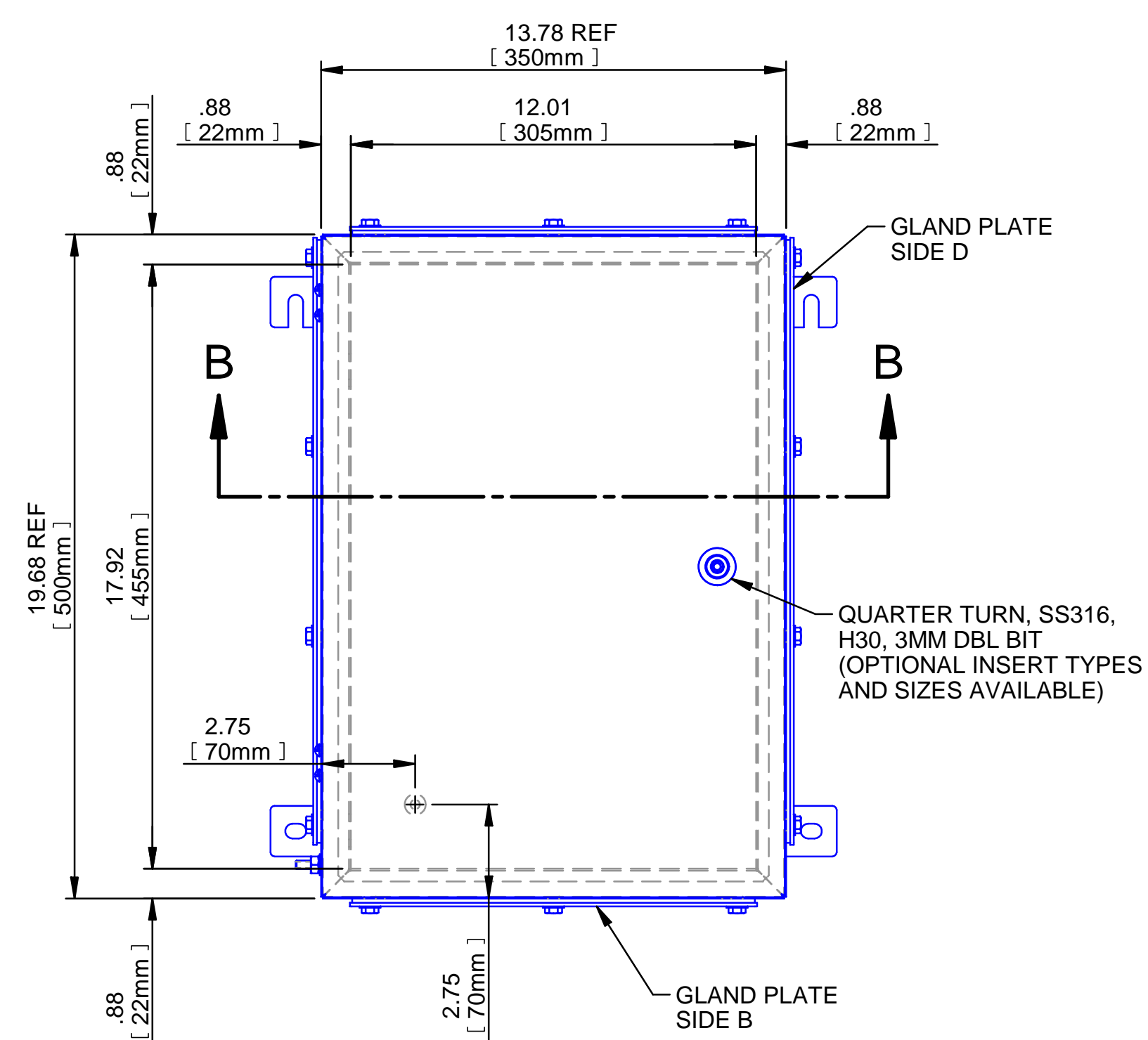
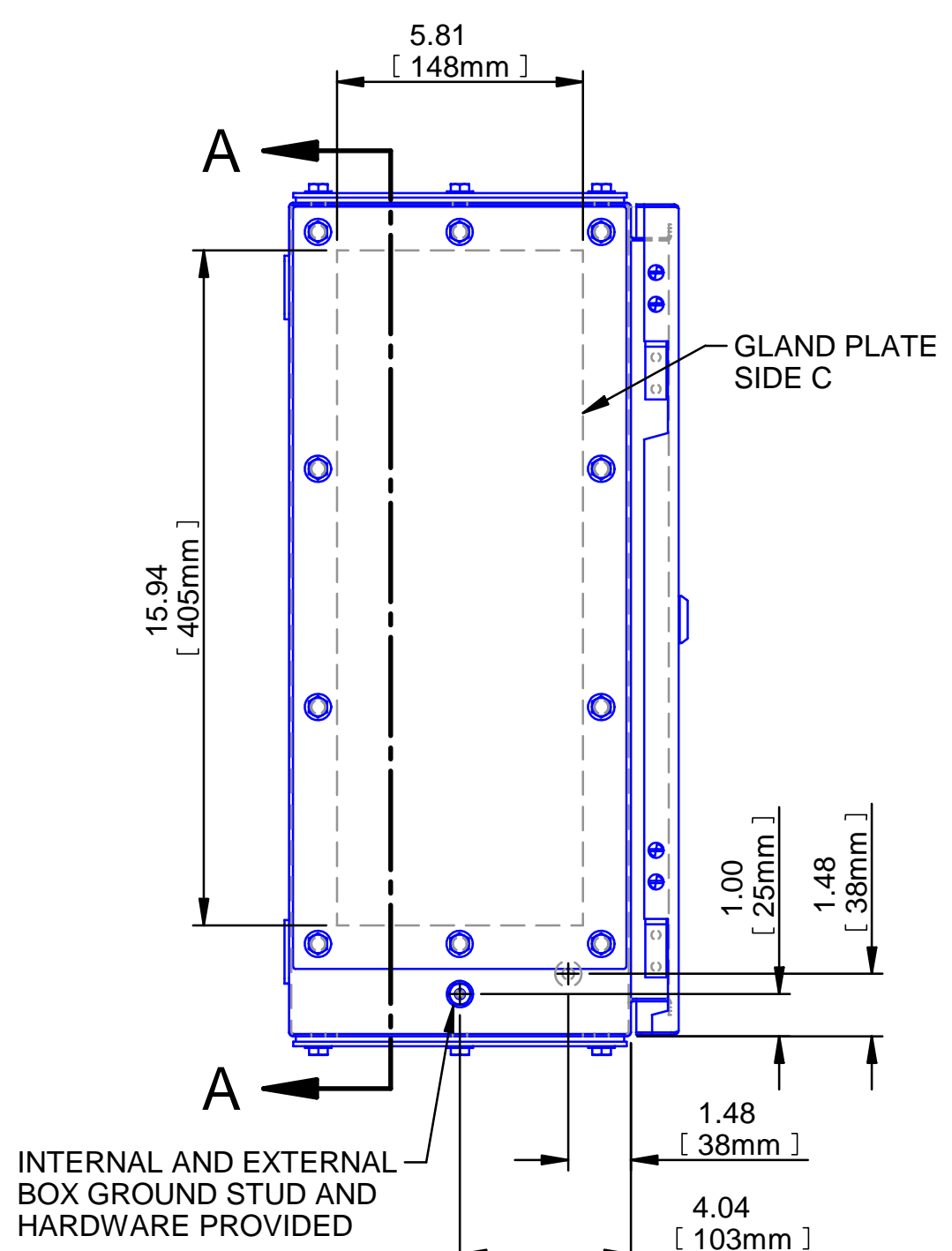
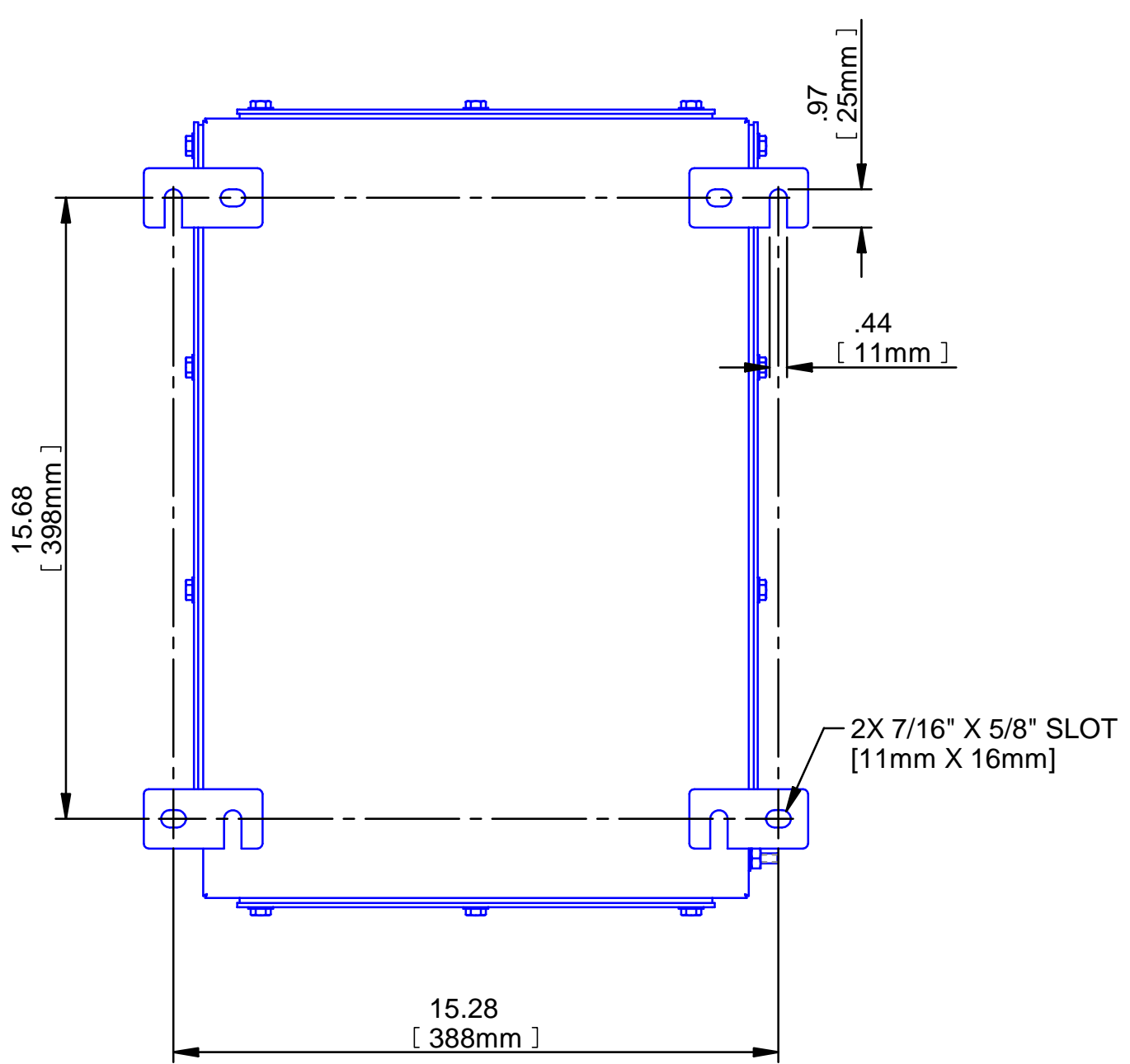
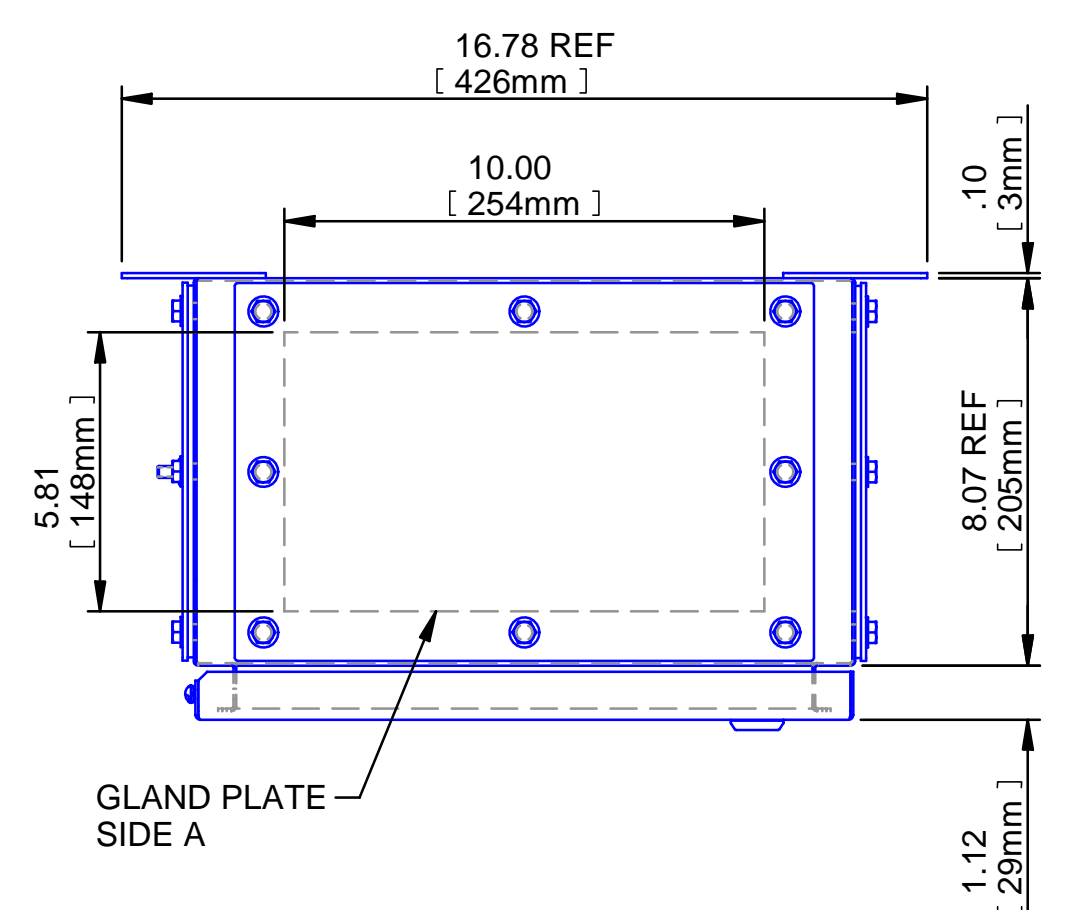
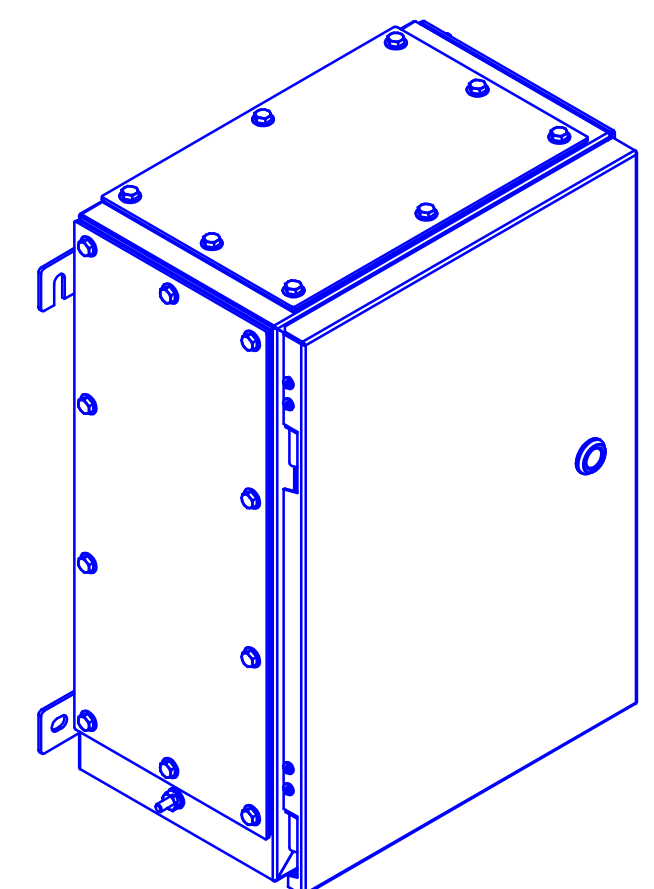
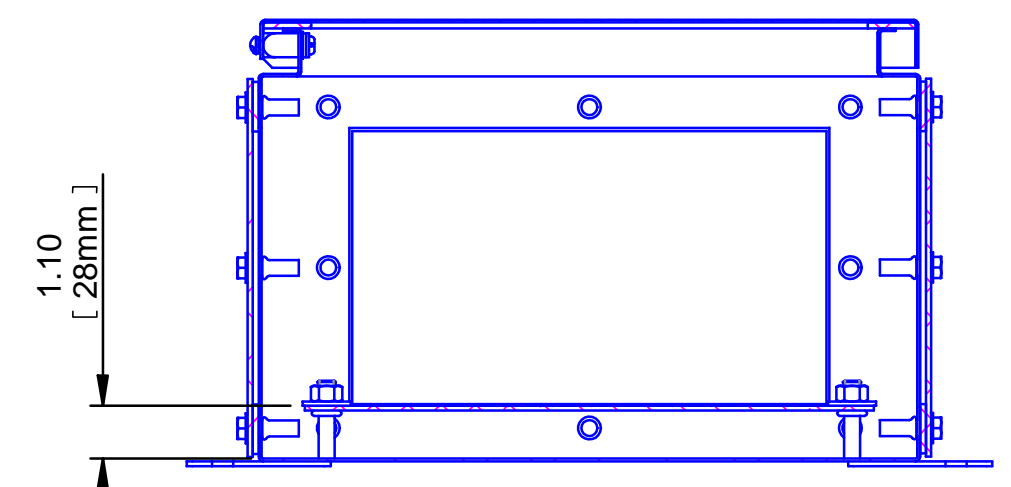


REV	REVISION	BY	ECN	DATE



SECTION A-A



SECTION B-B

UNCONTROLLED DRAWING
(DATA SUBJECT TO CHANGE
WITHOUT NOTICE)

**DO NOT REVISE THIS DWG. IN AUTOCAD
3D GENERATED IN SOLID EDGE**

<small>DO NOT SCALE DRAWING UNLESS OTHERWISE SPECIFIED DIMENSIONS ARE IN INCHES</small>		ADALET <small>A SCOTT FETZER COMPANY Enclosure Systems • Cable Accessories Cleveland, OH 44139</small>		<small>NOTICE TO PERSONS RECEIVING THIS DRAWING: ADALET-PLM CLAIMS PROPRIETARY RIGHTS IN THE MATERIAL DISCLOSED HEREIN. THIS DRAWING IS ISSUED IN CONFIDENCE FOR ENGINEERING INFORMATION ONLY AND MAY NOT BE REPRODUCED OR USED TO MANUFACTURE ANYTHING SHOWN HEREON, WITHOUT DIRECT WRITTEN PERMISSION FROM ADALET-PLM TO THE USER.</small>	
<small>CAST TOLERANCES ON DIMENSIONS NOT OTHERWISE SPECIFIED: 1/8" STOCK DRAFT 1:12" PRAG ±110° ANGLES ± 1°</small>		<small>DRAWN BY</small> DMS	<small>DATE</small> 12/5/2008	<small>TITLE</small> VH-503520 INCREASED SAFETY ENCLOSURE CUSTOMER OUTLINE DRAWING	
<small>MACHINE TOLERANCES ON DIMENSIONS NOT OTHERWISE SPECIFIED: √ = 125 MIN .XX ± .03 .XXX ± .010" FILLET RADI .03" EDGE BREAK .035"-.015" R. or 45° ANGLES ± 0°30'</small>		<small>ENG APPROVAL</small>	<small>PLOT SCALE</small> 1=4	<small>MATERIAL</small>	
<small>TAGGING FOR THREADED HOLES NOT OTHERWISE SPECIFIED: MPT E-212.6 NPSM E-241.0</small>		<small>MFG APPROVAL</small>	<small>DWG SIZE</small> D	<small>FINISH</small>	
<small>CAT NO</small>		<small>DWG NO</small>	<small>SHT</small>	<small>REV</small>	