

# POLYCARBONATE

## Elite Series Screw Cover Enclosures

Adalet's Elite Series polycarbonate enclosures have a four-screw cover and are designed for use in any electrical / electronic application.

### STANDARD FEATURES

- Four captive cover screws
- Standard color is light gray with a gloss finish
- Bases, opaque covers, and clear covers are non-corrosive and UV resistant polycarbonate
- Features a unique T-rail mounting system for face plates, swing panels, layered back panels, and variable back panel height
- Brass inserts for securing mounting feet or flanges
- Mounting system, gasket, and cover included
- Features multiple bosses for easy installation of devices and DIN rails

### CERTIFICATIONS

UL-50 / cUL Listed  
 NEMA Type 3, 3R, 3S, 4, 4X, 6/6P, 12 & Marine Use  
 IP68



**MADE IN USA**

NON-METALLIC ENCLOSURES

CATALOG #	ENCLOSURE	CATALOG #	ENCLOSURE	SIZE	WEIGHT (lbs)
N4XP-H060604S	Opaque Screw Cover/Feet	N4XP-H060604SC	Clear Screw Cover/Feet	6 x 6 x 4	2.0
N4XP-H060604SF	Opaque Screw Cover/Flanges	N4XP-H060604SCF	Clear Screw Cover/Flanges	6 x 6 x 4	2.0
N4XP-H080604S	Opaque Screw Cover/Feet	N4XP-H080604SC	Clear Screw Cover/Feet	8 x 6 x 4	2.5
N4XP-H080604SF	Opaque Screw Cover/Flanges	N4XP-H080604SCF	Clear Screw Cover/Flanges	8 x 6 x 4	2.5
N4XP-H080804S	Opaque Screw Cover/Feet	N4XP-H080804SC	Clear Screw Cover/Feet	8 x 8 x 4	3.0
N4XP-H080804SF	Opaque Screw Cover/Flanges	N4XP-H080804SCF	Clear Screw Cover/Flanges	8 x 8 x 4	3.0
N4XP-H100802S	Opaque Screw Cover/Feet	N4XP-H100802SC	Clear Screw Cover/Feet	10 x 8 x 2	3.0
N4XP-H100802SF	Opaque Screw Cover/Flanges	N4XP-H100802SCF	Clear Screw Cover/Flanges	10 x 8 x 2	3.5
N4XP-H100804S	Opaque Screw Cover/Feet	N4XP-H100804SC	Clear Screw Cover/Feet	10 x 8 x 4	3.0
N4XP-H100804SF	Opaque Screw Cover/Flanges	N4XP-H100804SCF	Clear Screw Cover/Flanges	10 x 8 x 4	3.5
N4XP-H100806S	Opaque Screw Cover/Feet	N4XP-H100806SC	Clear Screw Cover/Feet	10 x 8 x 6	3.5
N4XP-H100806SF	Opaque Screw Cover/Flanges	N4XP-H100806SCF	Clear Screw Cover/Flanges	10 x 8 x 6	4.0
N4XP-H121004S	Opaque Screw Cover/Feet	N4XP-H121004SC	Clear Screw Cover/Feet	12 x 10 x 4	4.0
N4XP-H121004SF	Opaque Screw Cover/Flanges	N4XP-H121004SCF	Clear Screw Cover/Flanges	12 x 10 x 4	5.0
N4XP-H121006S	Opaque Screw Cover/Feet	N4XP-H121006SC	Clear Screw Cover/Feet	12 x 10 x 6	4.5
N4XP-H121006SF	Opaque Screw Cover/Flanges	N4XP-H121006SCF	Clear Screw Cover/Flanges	12 x 10 x 6	5.5
N4XP-H141206S	Opaque Screw Cover/Feet	N4XP-H141206SC	Clear Screw Cover/Feet	14 x 12 x 6	6.0
N4XP-H141206SF	Opaque Screw Cover/Flanges	N4XP-H141206SCF	Clear Screw Cover/Flanges	14 x 12 x 6	8.0
N4XP-H161407S	Opaque Screw Cover/Feet	N4XP-H161407SC	Clear Screw Cover/Feet	16 x 14 x 7	8.0
N4XP-H161407SF	Opaque Screw Cover/Flanges	N4XP-H161407SCF	Clear Screw Cover/Flanges	16 x 14 x 7	11.0
N4XP-H181610S	Opaque Screw Cover/Feet	N4XP-H181610SC	Clear Screw Cover/Feet	18 x 16 x 10	13.0
N4XP-H181610SF	Opaque Screw Cover/Flanges	N4XP-H181610SCF	Clear Screw Cover/Flanges	18 x 16 x 10	17.0

Measurements in inches

# Elite Series Hinge Cover Enclosures

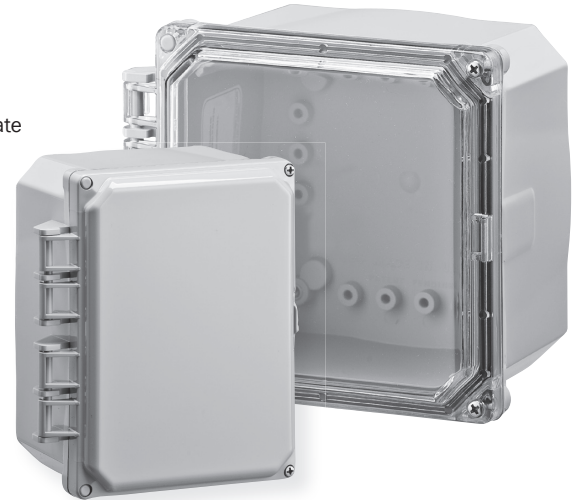
Adalet's Elite Series offers polycarbonate enclosures with hinged covers that screw closed, and are designed for use in any electrical application requiring a sturdy enclosure.

### STANDARD FEATURES

- Four captive cover screws
- Standard color is light gray with a gloss finish
- Bases, opaque covers, and clear covers are non-corrosive and UV resistant polycarbonate
- Features a unique T-rail mounting system for face plates, swing panels, layered back panels, and variable back panel height
- Brass inserts for securing mounting feet or flanges
- Mounting system, gasket and cover included
- Features multiple bosses for easy installation of devices and DIN rails.

### CERTIFICATIONS

UL-50 / cUL Listed  
 NEMA Type 3, 3R, 3S, 4, 4X, 6/6P, 12 & Marine Use  
 IP68



**MADE IN USA**

NON-METALLIC  
ENCLOSURES

CATALOG #	ENCLOSURE	CATALOG #	ENCLOSURE	SIZE	WEIGHT (lbs)
N4XP-H060604H	Opaque Hinge Cover/2 Screws/Feet	N4XP-H060604HC	Clear Hinge Cover/2 Screws/Feet	6 x 6 x 4	2.0
N4XP-H060604HF	Opaque Hinge Cover/2 Screws/Flanges	N4XP-H060604HCF	Clear Hinge Cover/2 Screws/Flanges	6 x 6 x 4	2.0
N4XP-H080604H	Opaque Hinge Cover/2 Screws/Feet	N4XP-H080604HC	Clear Hinge Cover/2 Screws/Feet	8 x 6 x 4	2.5
N4XP-H080604HF	Opaque Hinge Cover/2 Screws/Flanges	N4XP-H080604HCF	Clear Hinge Cover/2 Screws/Flanges	8 x 6 x 4	2.5
N4XP-H080804H	Opaque Hinge Cover/2 Screws/Feet	N4XP-H080804HC	Clear Hinge Cover/2 Screws/Feet	8 x 8 x 4	3.0
N4XP-H080804HF	Opaque Hinge Cover/2 Screws/Flanges	N4XP-H080804HCF	Clear Hinge Cover/2 Screws/Flanges	8 x 8 x 4	3.5
N4XP-H100802H	Opaque Hinge Cover/2 Screws/Feet	N4XP-H100802HC	Clear Hinge Cover/2 Screws/Feet	10 x 8 x 2	3.0
N4XP-H100802HF	Opaque Hinge Cover/2 Screws/Flanges	N4XP-H100802HCF	Clear Hinge Cover/2 Screws/Flanges	10 x 8 x 2	3.5
N4XP-H100804H	Opaque Hinge Cover/2 Screws/Feet	N4XP-H100804HC	Clear Hinge Cover/2 Screws/Feet	10 x 8 x 4	3.0
N4XP-H100804HF	Opaque Hinge Cover/2 Screws/Flanges	N4XP-H100804HCF	Clear Hinge Cover/2 Screws/Flanges	10 x 8 x 4	3.5
N4XP-H100806H	Opaque Hinge Cover/2 Screws/Feet	N4XP-H100806HC	Clear Hinge Cover/2 Screws/Feet	10 x 8 x 6	3.5
N4XP-H100806HF	Opaque Hinge Cover/2 Screws/Flanges	N4XP-H100806HCF	Clear Hinge Cover/2 Screws/Flanges	10 x 8 x 6	4.0
N4XP-H121004H	Opaque Hinge Cover/2 Screws/Feet	N4XP-H121004HC	Clear Hinge Cover/2 Screws/Feet	12 x 10 x 4	4.0
N4XP-H121004HF	Opaque Hinge Cover/2 Screws/Flanges	N4XP-H121004HCF	Clear Hinge Cover/2 Screws/Flanges	12 x 10 x 4	5.0
N4XP-H121006H	Opaque Hinge Cover/2 Screws/Feet	N4XP-H121006HC	Clear Hinge Cover/2 Screws/Feet	12 x 10 x 6	4.5
N4XP-H121006HF	Opaque Hinge Cover/2 Screws/Flanges	N4XP-H121006HCF	Clear Hinge Cover/2 Screws/Flanges	12 x 10 x 6	5.5
N4XP-H141206H	Opaque Hinge Cover/2 Screws/Feet	N4XP-H141206HC	Clear Hinge Cover/2 Screws/Feet	14 x 12 x 6	6.0
N4XP-H141206HF	Opaque Hinge Cover/2 Screws/Flanges	N4XP-H141206HCF	Clear Hinge Cover/2 Screws/Flanges	14 x 12 x 6	8.0
N4XP-H161407H	Opaque Hinge Cover/2 Screws/Feet	N4XP-H161407HC	Clear Hinge Cover/2 Screws/Feet	16 x 14 x 7	8.0
N4XP-H161407HF	Opaque Hinge Cover/2 Screws/Flanges	N4XP-H161407HCF	Clear Hinge Cover/2 Screws/Flanges	16 x 14 x 7	11.0
N4XP-H181610H	Opaque Hinge Cover/2 Screws/Feet	N4XP-H181610HC	Clear Hinge Cover/2 Screws/Feet	18 x 16 x 10	13.0
N4XP-H181610HF	Opaque Hinge Cover/2 Screws/Flanges	N4XP-H181610HCF	Clear Hinge Cover/2 Screws/Flanges	18 x 16 x 10	17.0

Measurements in inches

**SEND ORDERS TO [ORDERS@ADALET.COM](mailto:ORDERS@ADALET.COM)**

T: 216.267.9000 | F: 216.267.1681 | [info@adalet.com](mailto:info@adalet.com)

©Adalet

# POLYCARBONATE

## Elite Series Hinge Cover NEMA 6P Enclosures

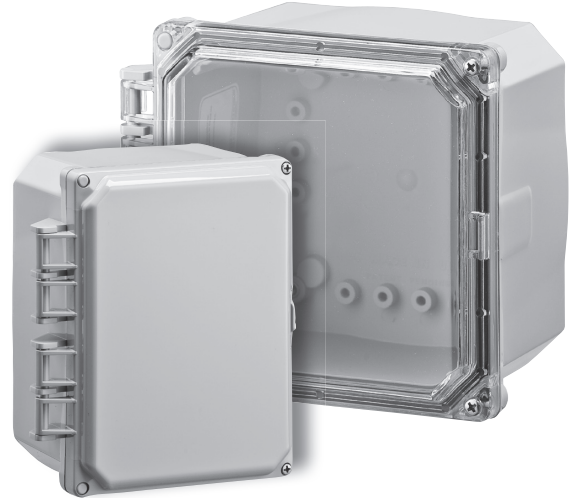
Adalet's Elite Series NEMA 6P polycarbonate enclosures are designed for use in any applications needing a submersible enclosure or any electrical application requiring a sturdy enclosure. These enclosures have hinged covers and four corner screws.

### STANDARD FEATURES

- Four captive cover screws
- Standard color is light gray with a gloss finish
- Bases, opaque covers and clear covers are non-corrosive and UV resistant polycarbonate
- Features a unique T-rail mounting system for face plates, swing panels, layered back panels and variable back panel height
- Brass inserts for securing mounting feet or flanges
- Mounting system, gasket and cover included
- Features multiple bosses for easy installation of devices and DIN rails.

### CERTIFICATIONS

UL-50 / cUL Listed  
 NEMA Type 3, 3R, 3S, 4, 4X, 6/6P, 12 & Marine Use  
 IP68



MADE IN USA

NON-METALLIC ENCLOSURES

CATALOG #	ENCLOSURE	CATALOG #	ENCLOSURE	SIZE	WEIGHT (lbs)
N4XP-H060604H-6P	Opaque Hinge Cover/Feet	N4XP-H060604HC-6P	Clear Hinge Cover/Feet	6 x 6 x 4	2.0
N4XP-H060604HF-6P	Opaque Hinge Cover/Flanges	N4XP-H060604HCF-6P	Clear Hinge Cover/Flanges	6 x 6 x 4	2.0
N4XP-H080604H-6P	Opaque Hinge Cover/Feet	N4XP-H080604HC-6P	Clear Hinge Cover/Feet	8 x 6 x 4	2.5
N4XP-H080604HF-6P	Opaque Hinge Cover/Flanges	N4XP-H080604HCF-6P	Clear Hinge Cover/Flanges	8 x 6 x 4	2.5
N4XP-H080804H-6P	Opaque Hinge Cover/Feet	N4XP-H080804HC-6P	Clear Hinge Cover/Feet	8 x 8 x 4	3.0
N4XP-H080804HF-6P	Opaque Hinge Cover/Flanges	N4XP-H080804HCF-6P	Clear Hinge Cover/Flanges	8 x 8 x 4	3.0
N4XP-H100802H-6P	Opaque Hinge Cover/Feet	N4XP-H100802HC-6P	Clear Hinge Cover/Feet	10 x 8 x 2	3.0
N4XP-H100802HF-6P	Opaque Hinge Cover/Flanges	N4XP-H100802HCF-6P	Clear Hinge Cover/Flanges	10 x 8 x 2	3.5
N4XP-H100804H-6P	Opaque Hinge Cover/Feet	N4XP-H100804HC-6P	Clear Hinge Cover/Feet	10 x 8 x 4	3.0
N4XP-H100804HF-6P	Opaque Hinge Cover/Flanges	N4XP-H100804HCF-6P	Clear Hinge Cover/Flanges	10 x 8 x 4	3.5
N4XP-H100806H-6P	Opaque Hinge Cover/Feet	N4XP-H100806HC-6P	Clear Hinge Cover/Feet	10 x 8 x 6	3.5
N4XP-H100806HF-6P	Opaque Hinge Cover/Flanges	N4XP-H100806HCF-6P	Clear Hinge Cover/Flanges	10 x 8 x 6	4.0
N4XP-H121004H-6P	Opaque Hinge Cover/Feet	N4XP-H121004HC-6P	Clear Hinge Cover/Feet	12 x 10 x 4	4.0
N4XP-H121004HF-6P	Opaque Hinge Cover/Flanges	N4XP-H121004HCF-6P	Clear Hinge Cover/Flanges	12 x 10 x 4	5.0
N4XP-H121006H-6P	Opaque Hinge Cover/Feet	N4XP-H121006HC-6P	Clear Hinge Cover/Feet	12 x 10 x 6	4.5
N4XP-H121006HF-6P	Opaque Hinge Cover/Flanges	N4XP-H121006HCF-6P	Clear Hinge Cover/Flanges	12 x 10 x 6	5.5
N4XP-H141206H-6P	Opaque Hinge Cover/Feet	N4XP-H141206HC-6P	Clear Hinge Cover/Feet	14 x 12 x 6	6.0
N4XP-H141206HF-6P	Opaque Hinge Cover/Flanges	N4XP-H141206HCF-6P	Clear Hinge Cover/Flanges	14 x 12 x 6	8.0
N4XP-H161407H-6P	Opaque Hinge Cover/Feet	N4XP-H161407HC-6P	Clear Hinge Cover/Feet	16 x 14 x 7	8.0
N4XP-H161407HF-6P	Opaque Hinge Cover/Flanges	N4XP-H161407HCF-6P	Clear Hinge Cover/Flanges	16 x 14 x 7	11.0
N4XP-H181610H-6P	Opaque Hinge Cover/Feet	N4XP-H181610HC-6P	Clear Hinge Cover/Feet	18 x 16 x 10	13.0
N4XP-H181610HF-6P	Opaque Hinge Cover/Flanges	N4XP-H181610HCF-6P	Clear Hinge Cover/Flanges	18 x 16 x 10	17.0

Measurements in inches

# Elite Series Hinge Cover & Locking Latch

Adalet's Elite Series locking latch enclosures have hinged covers that close with stainless steel latching, and are designed for use in any electrical application requiring a sturdy enclosure.

### STANDARD FEATURES

- Four captive cover screws
- Standard color is light gray with a gloss finish
- Bases, opaque covers and clear covers are non-corrosive and UV resistant polycarbonate
- Features a unique T-rail mounting system for face plates, swing panels, layered back panels and variable back panel height
- Brass inserts for securing mounting feet or flanges
- Mounting system, gasket and cover included
- Features multiple bosses for easy installation of devices and DIN rails.

### CERTIFICATIONS

UL-50 / cUL Listed  
 NEMA Type 3, 3R, 3S, 4, 4X, 6/6P, 12 & Marine Use  
 IP68



**MADE IN USA**

NON-METALLIC  
ENCLOSURES

CATALOG #	ENCLOSURE	CATALOG #	ENCLOSURE	SIZE	WEIGHT (lbs)
N4XP-H060604HLL	Opaque Hinge Cover/Latch/Feet	N4XP-H060604HCLL	Clear Hinge Cover/Latch/Feet	6 x 6 x 4	2.0
N4XP-H060604HFLL	Opaque Hinge Cover/Latch/Flanges	N4XP-H060604HCFLL	Clear Hinge Cover/Latch/Flanges	6 x 6 x 4	2.0
N4XP-H080604HLL	Opaque Hinge Cover/Latch/Feet	N4XP-H080604HCLL	Clear Hinge Cover/Latch/Feet	8 x 6 x 4	2.5
N4XP-H080604HFLL	Opaque Hinge Cover/Latch/Flanges	N4XP-H080604HCFLL	Clear Hinge Cover/Latch/Flanges	8 x 6 x 4	2.5
N4XP-H080804HLL	Opaque Hinge Cover/Latch/Feet	N4XP-H080804HCLL	Clear Hinge Cover/Latch/Feet	8 x 8 x 4	3.0
N4XP-H080804HFLL	Opaque Hinge Cover/Latch/Flanges	N4XP-H080804HCFLL	Clear Hinge Cover/Latch/Flanges	8 x 8 x 4	3.0
N4XP-H100802HLL	Opaque Hinge Cover/Latch/Feet	N4XP-H100802HCLL	Clear Hinge Cover/Latch/Feet	10 x 8 x 2	3.0
N4XP-H100802HFLL	Opaque Hinge Cover/Latch/Flanges	N4XP-H100802HCFLL	Clear Hinge Cover/Latch/Flanges	10 x 8 x 2	3.5
N4XP-H100804HLL	Opaque Hinge Cover/Latch/Feet	N4XP-H100804HCLL	Clear Hinge Cover/Latch/Feet	10 x 8 x 4	3.0
N4XP-H100804HFLL	Opaque Hinge Cover/Latch/Flanges	N4XP-H10084HCFLL	Clear Hinge Cover/Latch/Flanges	10 x 8 x 4	3.5
N4XP-H100806HLL	Opaque Hinge Cover/Latch/Feet	N4XP-H100806HCLL	Clear Hinge Cover/Latch/Feet	10 x 8 x 6	3.5
N4XP-H100806HFLL	Opaque Hinge Cover/Latch/Flanges	N4XP-H100806HCFLL	Clear Hinge Cover/Latch/Flanges	10 x 8 x 6	4.0
N4XP-H121004HLL	Opaque Hinge Cover/Latch/Feet	N4XP-H121004HCLL	Clear Hinge Cover/Latch/Feet	12 x 10 x 4	4.0
N4XP-H121004HFLL	Opaque Hinge Cover/Latch/Flanges	N4XP-H12104HCFLL	Clear Hinge Cover/Latch/Flanges	12 x 10 x 4	5.0
N4XP-H121006HLL	Opaque Hinge Cover/Latch/Feet	N4XP-H121006HCLL	Clear Hinge Cover/Latch/Feet	12 x 10 x 6	4.5
N4XP-H121006HFLL	Opaque Hinge Cover/Latch/Flanges	N4XP-H121006HCFLL	Clear Hinge Cover/Latch/Flanges	12 x 10 x 6	5.5
N4XP-H141206HLL	Opaque Hinge Cover/Latch/Feet	N4XP-H141206HCLL	Clear Hinge Cover/Latch/Feet	14 x 12 x 6	6.0
N4XP-H141206HFLL	Opaque Hinge Cover/Latch/Flanges	N4XP-H141206HCFLL	Clear Hinge Cover/Latch/Flanges	14 x 12 x 6	8.0
N4XP-H161407HLL	Opaque Hinge Cover/Latch/Feet	N4XP-H161407HCLL	Clear Hinge Cover/Latch/Feet	16 x 14 x 7	8.0
N4XP-H161407HFLL	Opaque Hinge Cover/Latch/Flanges	N4XP-H161407HCFLL	Clear Hinge Cover/Latch/Flanges	16 x 14 x 7	11.0
N4XP-H181610HLL	Opaque Hinge Cover/Latch/Feet	N4XP-H181610HCLL	Clear Hinge Cover/Latch/Feet	18 x 16 x 10	13.0
N4XP-H181610HFLL	Opaque Hinge Cover/Latch/Flanges	N4XP-H181610HCFLL	Clear Hinge Cover/Latch/Flanges	18 x 16 x 10	17.0

Measurements in inches

**SEND ORDERS TO [ORDERS@ADALET.COM](mailto:ORDERS@ADALET.COM)**

T: 216.267.9000 | F: 216.267.1681 | [info@adalet.com](mailto:info@adalet.com)

©Adalet

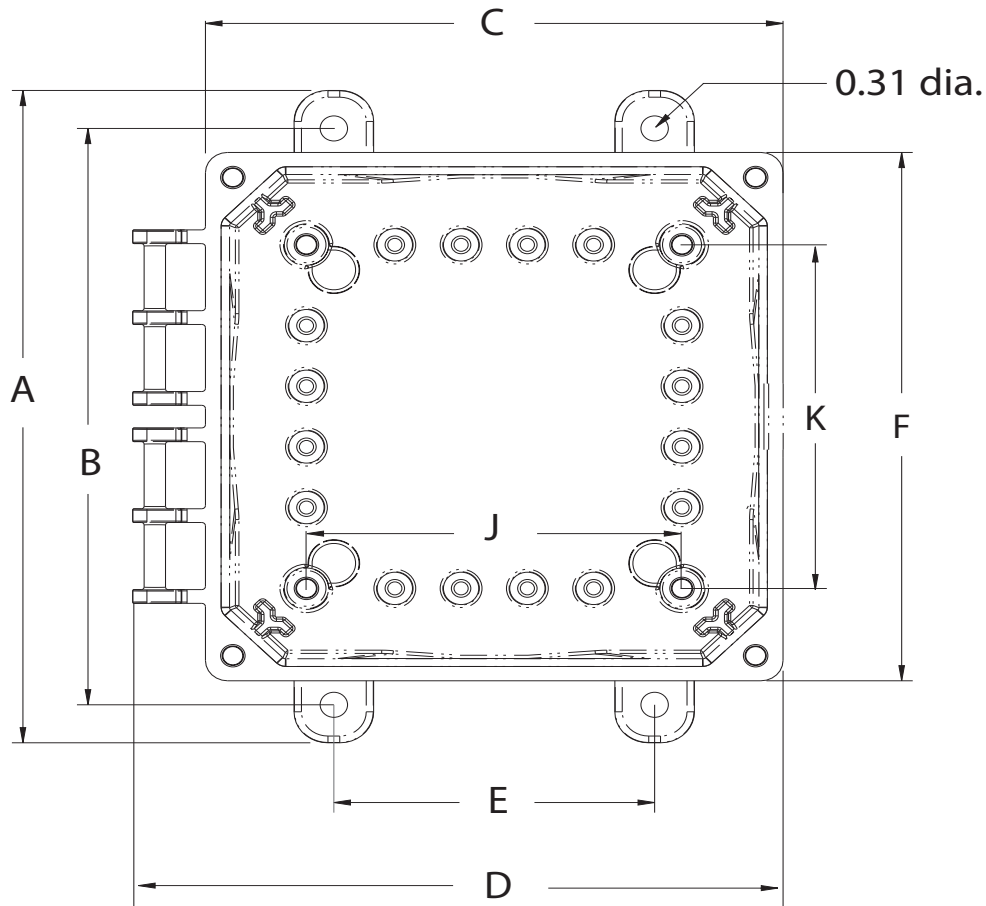
## DIMENSIONS FOR ELITE SERIES ENCLOSURES

NON-METALLIC ENCLOSURES

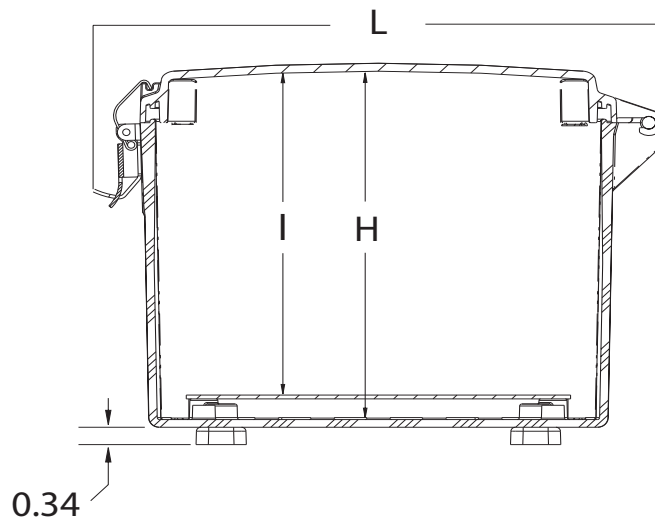
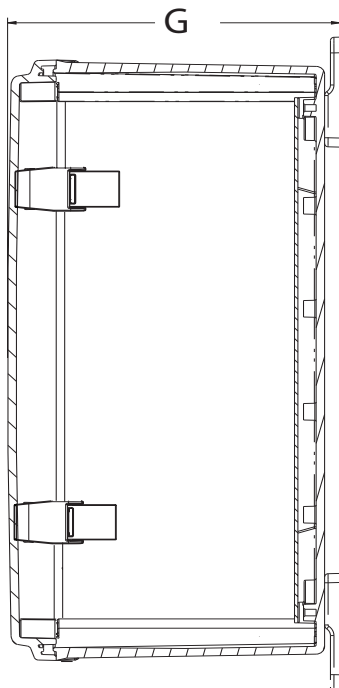
ENCLOSURE DIM.	A	B	C	D	E	F	G	H	I	J & K	L
6" x 6" x 4" Screw Cover	8.07 (205)	7.13 (181)	6.54 (166)	N/A	3.63 (92)	6.54 (166)	5.47 (139)	4.82 (122)	4.34 (110)	4.25 x 4.25 (108 x 108)	8.20 208
6" x 6" x 4" Hinge Cover	8.07 (205)	7.13 (181)	6.54 (166)	7.36 (187)	3.63 (92)	6.54 (166)	5.47 (139)	4.82 (122)	4.34 (110)	4.25 x 4.25 (108 x 108)	8.20 208
8" x 6" x 4" Screw Cover	9.69 (246)	8.75 (222)	6.44 (164)	N/A	4.00 (102)	8.44 (214)	5.35 (136)	4.71 (120)	4.23 (107)	4.25 x 6.25 (108 x 159)	8.20 208
8" x 6" x 4" Hinge Cover	9.69 (246)	8.75 (222)	6.44 (164)	7.31 (186)	4.00 (102)	8.44 (214)	5.35 (136)	4.71 (120)	4.23 (107)	4.25 x 6.25 (108 x 159)	8.20 208
8" x 8" x 4" Screw Cover	10.44 (265)	9.50 (241)	8.44 (214)	N/A	5.25 (133)	8.44 (214)	5.47 (139)	4.82 (122)	4.34 (110)	6.25 x 6.25 (159 x 159)	10.20 259
8" x 8" x 4" Hinge Cover	10.44 (265)	9.50 (241)	8.44 (214)	9.31 (237)	5.25 (133)	8.44 (214)	5.47 (139)	4.82 (122)	4.34 (110)	6.25 x 6.25 (159 x 159)	10.20 259
10" x 8" x 2" Screw Cover	12.69 (322)	11.75 (298)	8.54 (217)	N/A	6.25 (159)	10.54 (268)	3.30 (84)	2.66 (68)	2.38 (61)	5.46 x 7.92 (139 x 201)	10.20 259
10" x 8" x 2" Hinge Cover	12.69 (322)	11.75 (298)	8.54 (217)	9.36 (238)	6.25 (159)	10.54 (268)	3.30 (84)	2.66 (68)	2.38 (61)	5.46 x 7.92 (139 x 201)	10.20 259
10" x 8" x 4" Screw Cover	12.07 (307)	11.13 (283)	8.54 (217)	N/A	5.63 (143)	10.54 (268)	5.30 (135)	4.66 (118)	4.18 (106)	6.25 x 8.25 (159 x 210)	10.20 259
10" x 8" x 4" Hinge Cover	12.07 (307)	11.13 (283)	8.54 (217)	9.36 (238)	5.63 (143)	10.54 (268)	5.30 (135)	4.66 (118)	4.18 (106)	6.25 x 8.25 (159 x 210)	10.20 259
10" x 8" x 6" Screw Cover	12.07 (307)	11.13 (283)	8.54 (217)	N/A	5.63 (143)	10.54 (268)	7.30 (185)	6.66 (169)	6.18 (157)	6.25 x 8.25 (159 x 210)	10.20 259
10" x 8" x 6" Hinge Cover	12.07 (307)	11.13 (283)	8.54 (217)	9.36 (238)	5.63 (143)	10.54 (268)	7.30 (185)	6.66 (169)	6.18 (157)	6.25 x 8.25 (159 x 210)	10.20 259
12" x 10" x 4" Screw Cover	13.69 (348)	12.75 (283)	10.54 (268)	N/A	8.00 (203)	12.54 (319)	5.35 (136)	4.71 (120)	4.23 (120)	8.25 x 10.25 (210 x 260)	12.20 310
12" x 10" x 4" Hinge Cover	13.69 (348)	12.75 (283)	10.54 (268)	11.36 (289)	8.00 (203)	12.54 (319)	5.35 (136)	4.71 (120)	4.23 (120)	8.25 x 10.25 (210 x 260)	12.20 310
12" x 10" x 6" Screw Cover	14.07 (357)	13.13 (357)	10.54 (268)	N/A	7.63 (194)	12.54 (319)	7.35 (187)	6.71 (170)	6.23 (158)	8.25 x 10.25 (210 x 260)	12.20 310
12" x 10" x 6" Hinge Cover	14.07 (357)	13.13 (357)	10.54 (268)	11.36 (289)	7.63 (194)	12.54 (319)	7.35 (187)	6.71 (170)	6.23 (158)	8.25 x 10.25 (210 x 260)	12.20 310
14" x 12" x 6" Screw Cover	15.69 (399)	14.75 (399)	12.58 (320)	N/A	10.00 (254)	14.58 (370)	7.38 (187)	6.66 (169)	6.18 (157)	10.25 x 12.25 (260 x 311)	14.20 361
14" x 12" x 6" Hinge Cover	15.69 (399)	14.75 (399)	12.58 (320)	13.37 (340)	10.00 (254)	14.58 (370)	7.38 (187)	6.66 (169)	6.18 (157)	10.25 x 12.25 (260 x 311)	14.20 361
16" x 14" x 7" Screw Cover	17.69 (399)	16.75 (449)	14.70 (320)	N/A	12.00 (305)	16.70 (424)	8.38 (213)	7.66 (195)	7.18 (182)	12.25 x 14.25 (311x 362)	16.25 413
16" x 14" x 7" Hinge Cover	17.69 (399)	16.75 (449)	14.70 (320)	15.43 (392)	12.00 (305)	16.70 (424)	8.38 (213)	7.66 (195)	7.18 (182)	12.25 x 14.25 (311x 362)	16.25 413
18" x 16" x 10" Screw Cover	19.69 (399)	18.75 (500)	16.91 (430)	N/A	14.00 (356)	18.91 (480)	11.50 (292)	10.64 (270)	10.16 (258)	14.25 x 16.25 (362x 413)	18.47 469
18" x 16" x 10" Hinge Cover	19.69 (399)	18.75 (500)	16.91 (430)	17.64 (448)	14.00 (356)	18.91 (480)	11.50 (292)	10.64 (270)	10.16 (258)	14.25 x 16.25 (362x 413)	18.47 469

These dimensions are valid when mounting feet are used. The chart does not reflect dimensions when flanges are used as the mounting system. Contact the factory for the exact dimensions when using flange.

Measurements in inches (mm)



NON-METALLIC  
ENCLOSURES



# ELITE SERIES ACCESSORIES

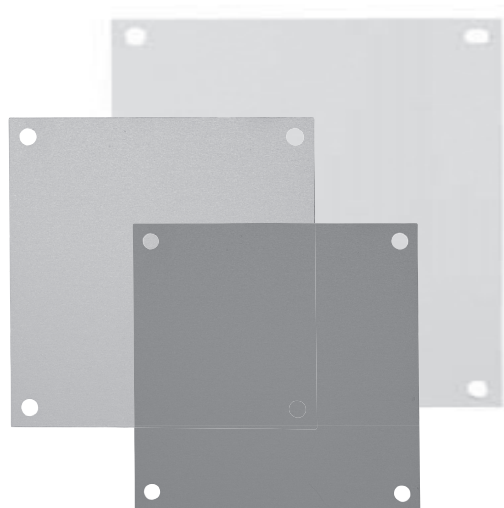
## Mounting Hardware

FEET & FLANGES	
CATALOG NUMBER	DESCRIPTION
MFKG	Mounting Feet Kit - Elite Line
MFKSS	Mounting Feet Kit - Stainless Steel
MFLK6	Mounting Flange Kit 6"
MFLK8	Mounting Flange Kit 8"
MFLK10	Mounting Flange Kit 10"
MFLK12	Mounting Flange Kit 12"
MFLK14	Mounting Flange Kit 14"
MFLK16	Mounting Flange Kit 16"



## Mounting Panels

PANEL SELECTION				
ALUMINUM CATALOG #	PVC CATALOG #	STEEL CATALOG #	DESCRIPTION	SIZE
ABP66	PVCBP66	SBP66	Panel for 6" x 6" enclosure	4.88"x4.88"
ABP86	PVCBP86	SBP86	Panel for 8" x 6" enclosure	6.75"x4.88"
ABP88	PVCBP88	SBP88	Panel for 8" x 8" enclosure	6.75"x6.75"
ABP108	PVCBP108	SBP108	Panel for 10" x 8" x 4" enclosure	8.75"x6.88"
ABP1082	PVCBP1082	n/a	Panel for 10" x 8" x 2" enclosure	10.75"x8.88"
ABP1210	PVCBP1210	SBP1210	Panel for 12" x 10" enclosure	12.75"x10.88"
ABP1412	PVCBP1412	SBP1412	Panel for 14" x 12" enclosure	14.75"x12.88"
ABP1614	PVCBP1614	SBP1614	Panel for 16" x 14" enclosure	16.75"x14.88"
ABP1816	PVCBP1816	SBP1816	Panel for 18" x 16" enclosure	16.75"x14.88"



## Replacement Covers

CLEAR REPLACEMENT COVERS		
CATALOG NUMBER	DESCRIPTION	SIZE
X66CSC-RPL	Clear Replacement Screw Cover w/Gasket	6"x6"
X66CHC-RPL	Clear Replacement Hinge Cover w/Gasket	6"x6"
X86CSC-RPL	Clear Replacement Screw Cover w/Gasket	8"x6"
X86CHC-RPL	Clear Replacement Hinge Cover w/Gasket	8"x6"
X88CSC-RPL	Clear Replacement Screw Cover w/Gasket	8"x8"
X88CHC-RPL	Clear Replacement Hinge Cover w/Gasket	8"x8"
X1008CSC-RPL	Clear Replacement Screw Cover w/Gasket	10"x8"
X1008CHC-RPL	Clear Replacement Hinge Cover w/Gasket	10"x8"
X1210CSC-RPL	Clear Replacement Screw Cover w/Gasket	12"x10"
X1210CHC-RPL	Clear Replacement Hinge Cover w/Gasket	12"x10"
X1412CSC-RPL	Clear Replacement Screw Cover w/Gasket	14"x12"
X1412CHC-RPL	Clear Replacement Hinge Cover w/Gasket	14"x12"
X1614CSC-RPL	Clear Replacement Screw Cover w/Gasket	16"x14"
X1614CHC-RPL	Clear Replacement Hinge Cover w/Gasket	16"x14"
X1816CSC-RPL	Clear Replacement Screw Cover w/Gasket	18"x16"
X1816CHC-RPL	Clear Replacement Hinge Cover w/Gasket	18"x16"

OPAQUE REPLACEMENT COVERS		
CATALOG NUMBER	DESCRIPTION	SIZE
H66CSO-RPL	Replacement Screw Cover w/Gasket	6"x6"
H66CHO-RPL	Replacement Hinge Cover w/Gasket	6"x6"
H86CSO-RPL	Replacement Screw Cover w/Gasket	8"x6"
H86CHO-RPL	Replacement Hinge Cover w/Gasket	8"x6"
H88CSO-RPL	Replacement Screw Cover w/Gasket	8"x8"
H88CHO-RPL	Replacement Hinge Cover w/Gasket	8"x8"
H1008CSO-RPL	Replacement Screw Cover w/Gasket	10"x8"
H1008CHO-RPL	Replacement Hinge Cover w/Gasket	10"x8"
H1210CSO-RPL	Replacement Screw Cover w/Gasket	12"x10"
H1210CHO-RPL	Replacement Hinge Cover w/Gasket	12"x10"
H1412CSO-RPL	Replacement Screw Cover w/Gasket	14"x12"
H1412CHO-RPL	Replacement Hinge Cover w/Gasket	14"x12"
H1614CSO-RPL	Replacement Screw Cover w/Gasket	16"x14"
H1614CHO-RPL	Replacement Hinge Cover w/Gasket	16"x14"
H1816CSO-RPL	Replacement Screw Cover w/Gasket	18"x16"
H1816CHO-RPL	Replacement Hinge Cover w/Gasket	18"x16"

Covers include gasket, cover screws, and hole plugs.

## Subpanels

### ALUMINUM SUBPANELS PRE-DRILLED FOR SOPK

CATALOG NUMBER	DESCRIPTION
ABP-66USP	Panel for 6x6 Swing Kit
ABP-86USP	Panel for 8x6 Swing Kit
ABP-88USP	Panel for 8x8 Swing Kit
ABP-108USP	Panel for 10x8 Swing Kit
ABP-1210USP	Panel for 12x10 Swing Kit
ABP-1412USP	Panel for 14x12 Swing Kit
ABP-1614USP	Panel for 16x14 Swing Kit
ABP-1816USP	Panel for 18x16 Swing Kit

## Swing Panel Hardware

### COMPLETE KITS

CATALOG NUMBER	DESCRIPTION
ABP-66USP/USOPK	Swing Panel Kit for 6x6
ABP-86USP/USOPK	Swing Panel Kit for 8x6
ABP-88USP/USOPK	Swing Panel Kit for 8x8
ABP-108USP/USOPK	Swing Panel Kit for 10x8
ABP-1210USP/USOPK	Swing Panel Kit for 12x10
ABP-1412USP/USOPK	Swing Panel Kit for 14x12
ABP-1614USP/USOPK	Swing Panel Kit for 16x14
ABP-1816USP/USOPK	Swing Panel Kit for 18x16

## Miscellaneous Accessories

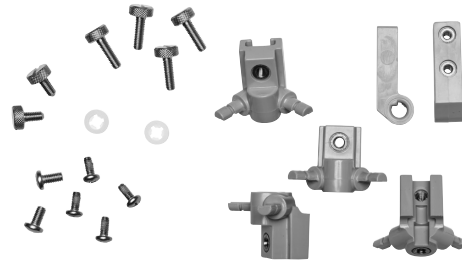
### MISC. ACCESSORIES FOR ELITE SERIES

CATALOG NUMBER	DESCRIPTION
BPAKB	Back Panel Adjustment Kit - Black Set Screw
BPAKG	Back Panel Adjustment Kit - Gray Set Screw
UBPAKB	Universal Back Panel Adjustment Kit - Black Thumb Screw
UBPAKG	Universal Back Panel Adjustment Kit - Gray Thumb Screw
DIN6	DIN Rail Kit 6" (2 rails, 4 screws)
DIN8	DIN Rail Kit 8" (2 rails, 4 screws)
DIN10	DIN Rail Kit 10" (2 rails, 4 screws)
DIN12	DIN Rail Kit 12" (2 rails, 4 screws)
DIN14	DIN Rail Kit 14" (2 rails, 4 screws)z
DIN16	DIN Rail Kit 16" (2 rails, 4 screws)
SP-10	Screw Pack (for mounting to bosses, 10)
SSLL-KIT	Stainless Steel Locking Latch Kit
CAT60L	Cat 60 Lock
CAT90L	Cat 90 Lock
VENT1	3" Aluminum Louvered
VENT2	Outdoor Labyrinth

## Swing Panel Hardware

### KIT HARDWARE ONLY

CATALOG NUMBER	DESCRIPTION
USOPK-B	Universal Swing Panel Kit - Black
USOPK-G	Universal Swing Panel Kit - Gray



## Pole Mounting Kits

### Pole Mounting Kits

CATALOG NUMBER	DESCRIPTION
PMKG-26	For 6" Enclosure - 2" Pole
PMKG-28	For 8" Enclosure - 2" Pole
PMKG-210	For 10" Enclosure - 2" Pole
PMKG-212	For 12" Enclosure - 2" Pole
PMKG-214	For 14" Enclosure - 2" Pole
PMKG-216	For 16" Enclosure - 2" Pole
PMKG-224	For 24" Enclosure - 2" Pole
PMKG-36	For 6" Enclosure - 3" Pole
PMKG-38	For 8" Enclosure - 3" Pole
PMKG-310	For 10" Enclosure - 3" Pole
PMKG-312	For 12" Enclosure - 3" Pole
PMKG-314	For 14" Enclosure - 3" Pole
PMKG-316	For 16" Enclosure - 3" Pole
PMKG-324	For 24" Enclosure - 3" Pole
PMKG-46	For 6" Enclosure - 4" Pole
PMKG-48	For 8" Enclosure - 4" Pole
PMKG-410	For 10" Enclosure - 4" Pole
PMKG-412	For 12" Enclosure - 4" Pole
PMKG-414	For 14" Enclosure - 4" Pole
PMKG-416	For 16" Enclosure - 4" Pole
PMKG-424	For 24" Enclosure - 4" Pole
PMKG-128	For 8" Enclosure - 12" Pole
PMKG-1210	For 10" Enclosure - 12" Pole
PMKG-1212	For 12" Enclosure - 12" Pole
PMKG1214	For 14" Enclosure - 12" Pole
PMKG1216	For 16" Enclosure - 12" Pole
PMKG-1224	For 24" Enclosure - 12" Pole